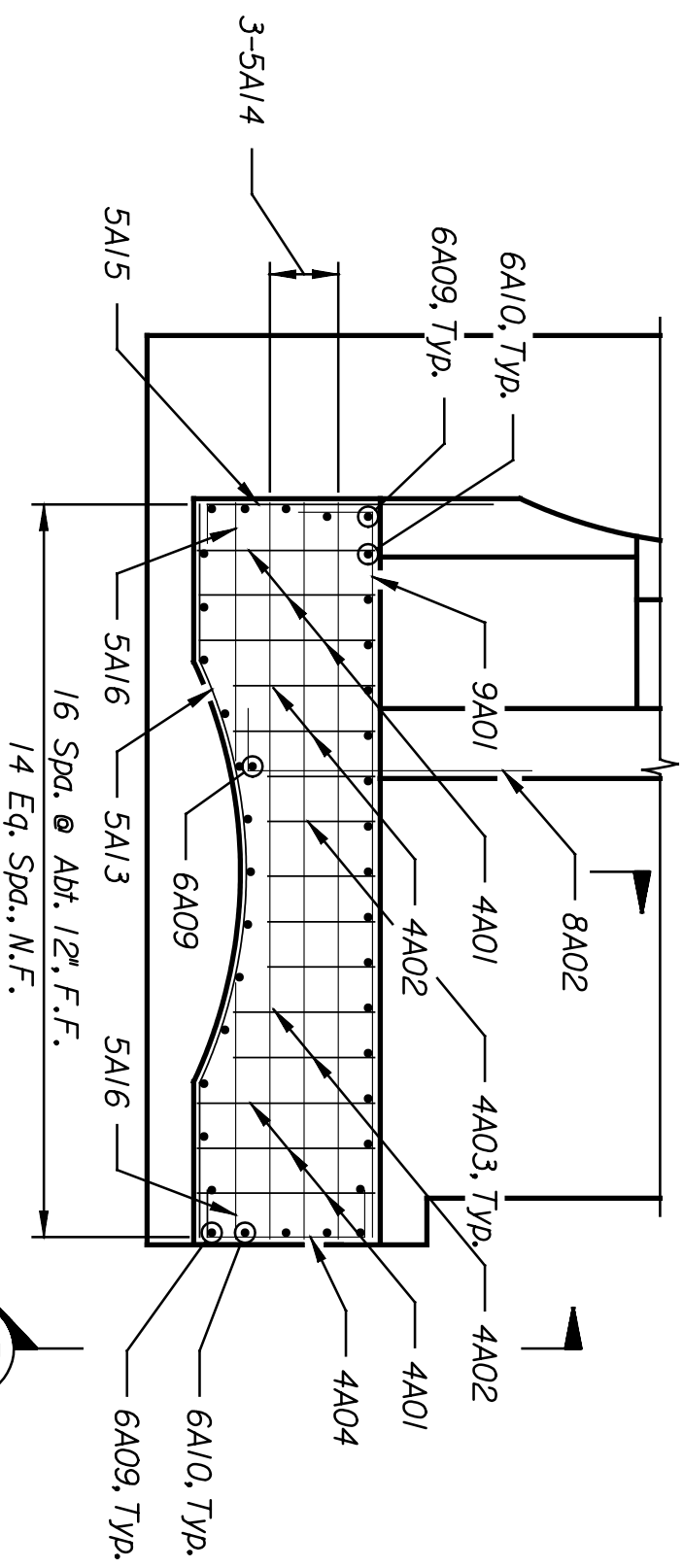
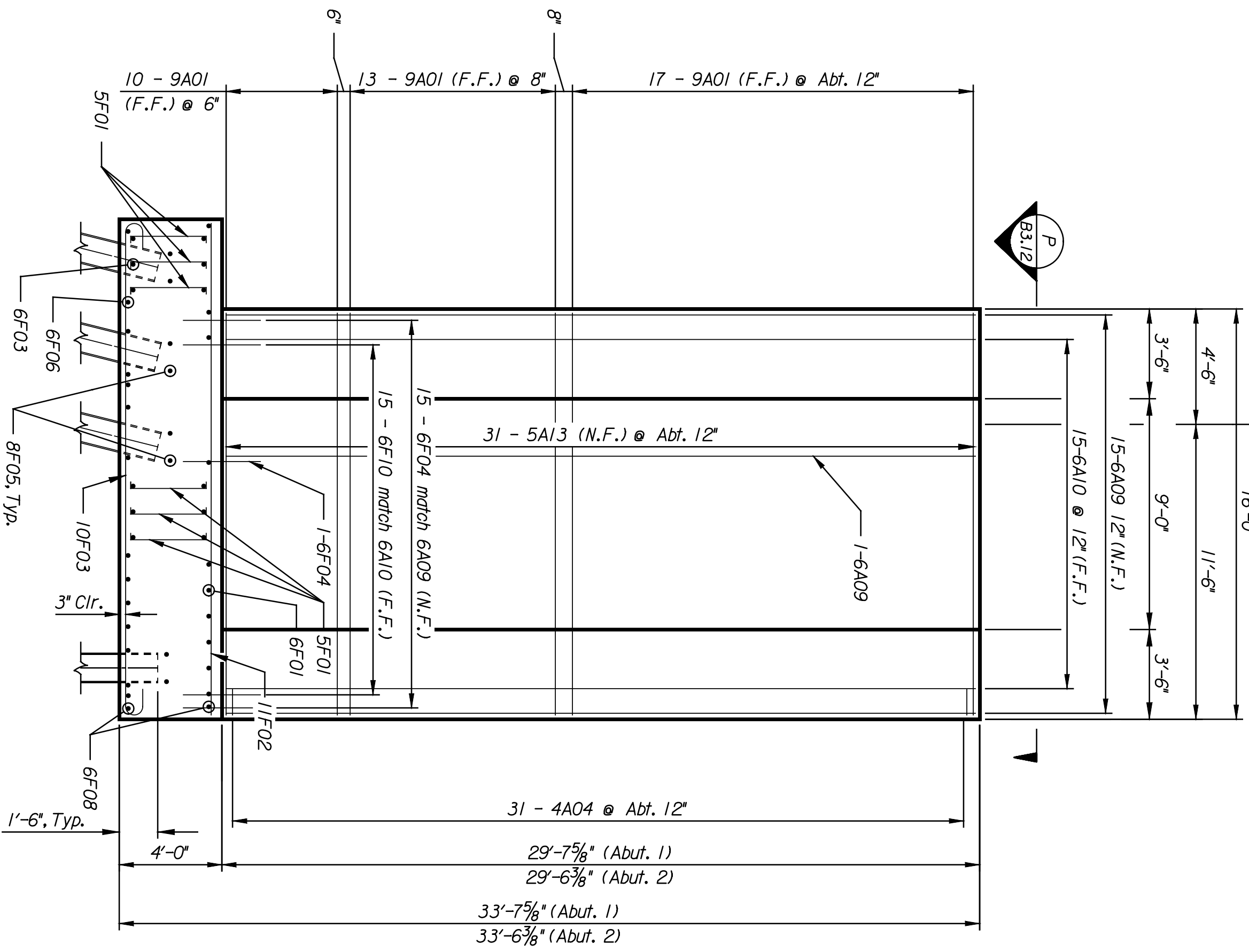


	BY	DATE

Plotted on: 04-JAN-2005 13:07 \*time\$  
 dJamison Plot Queue: #queue\$  
 Plot Scale: #scale\$ Pen Table: #pentables  
 Design Filename: k:\b29049\BrldgesDec2004\Bases Bld\Murdock\drawings\mll.dgn



**SECTION P**  
 Front Face of Parapet  
 Scale: 1/4" = 1'-0"  
 B3.1/2

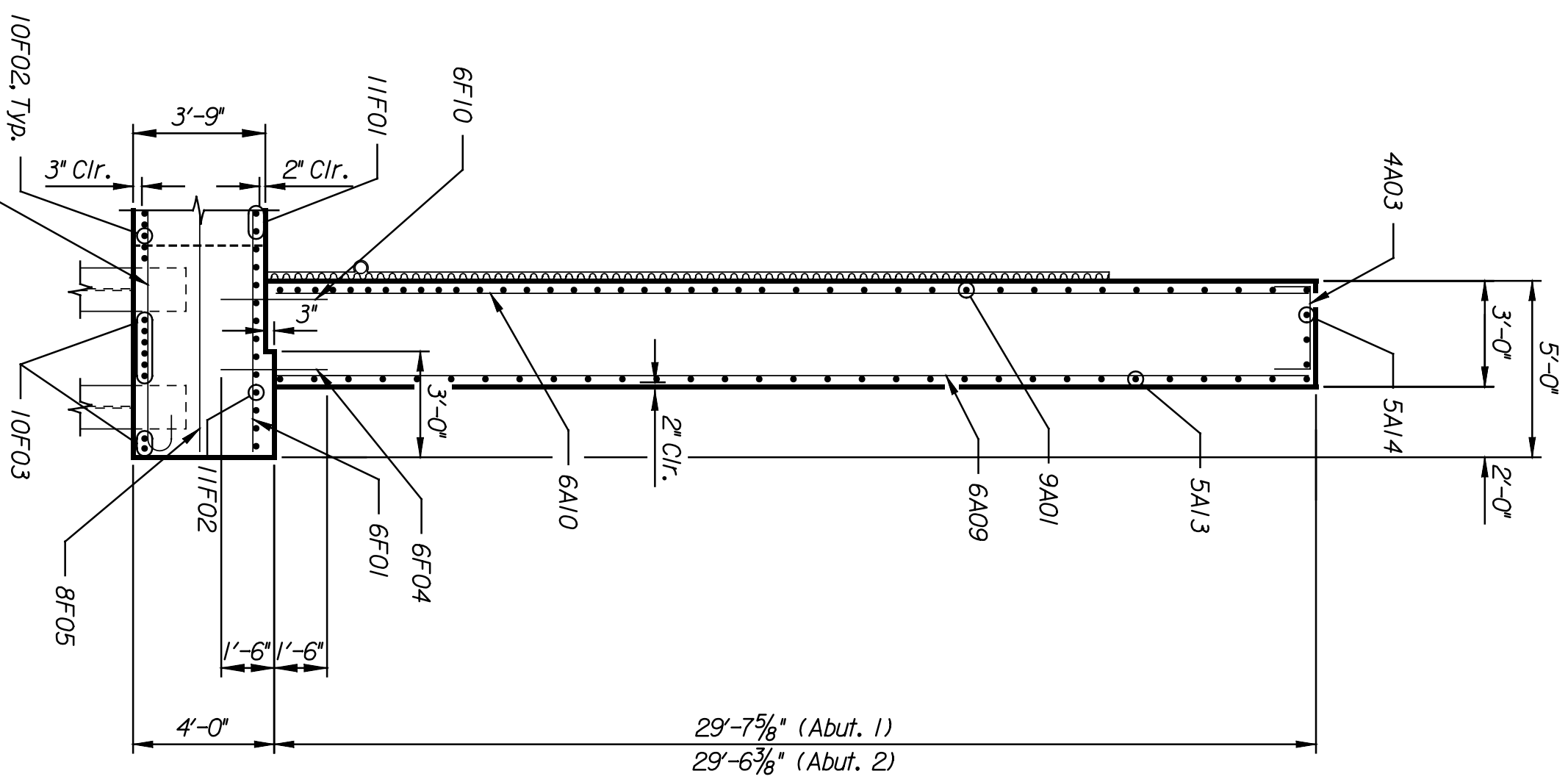


**VIEW D**  
 Scale: 1/4" = 1'-0"  
 B3.1/2  
 B3.3/9  
 Abut. 2 Shown, Abut. 1 Similar

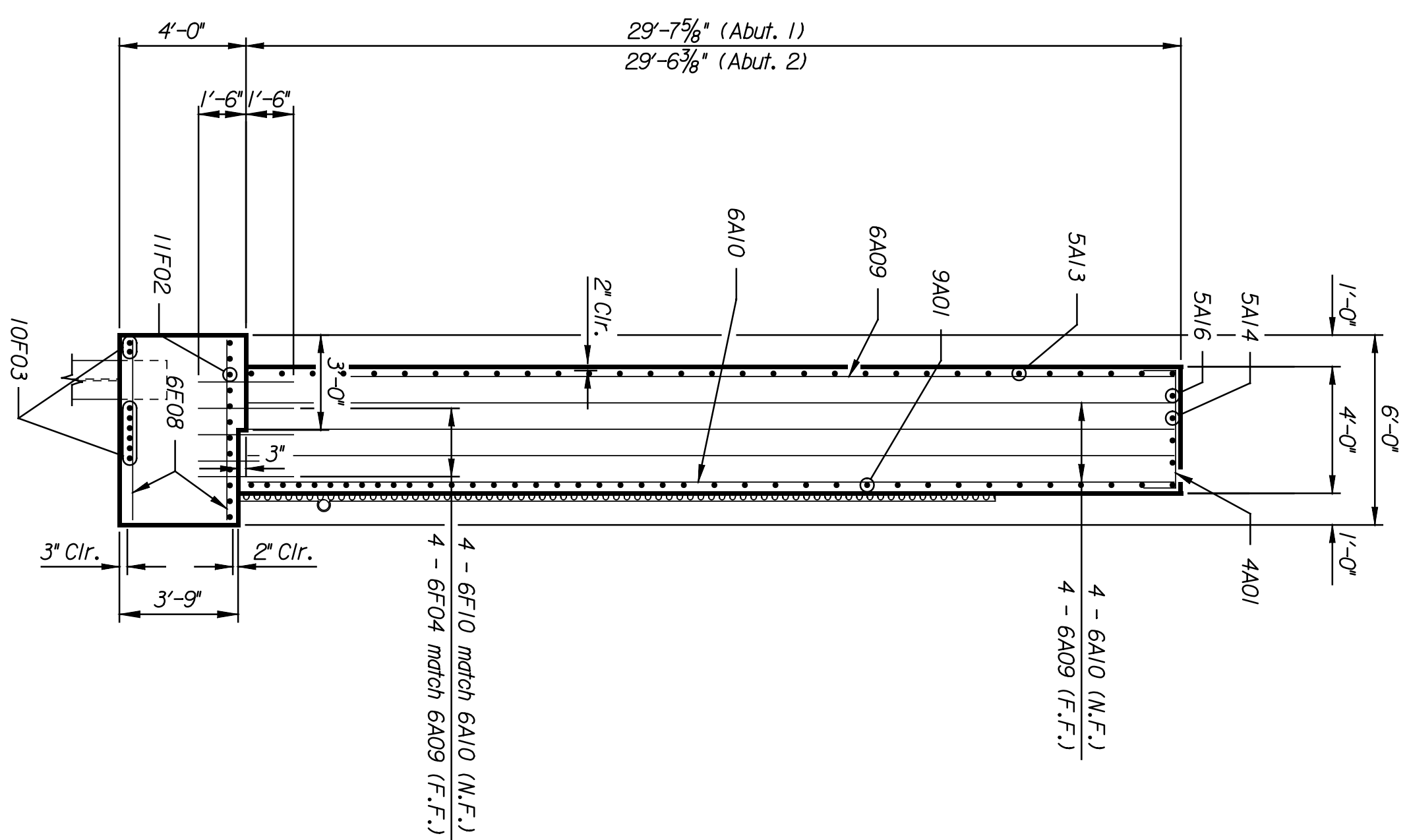
This sheet designed by:



ARCHITECTS ENGINEERS PLANNERS



**SECTION E**  
 Scale: 1/4" = 1'-0"  
 B3.1/2  
 Abut. 2 Shown, Abut. 1 Similar



**VIEW F**  
 Scale: 1/4" = 1'-0"  
 B3.1/2  
 Abut. 2 Shown, Abut. 1 Similar

STATE	PROJECT NO.	YEAR	SHEET NO.	TOTAL SHEETS
KANSAS	472-84071	2005	B3.1/2	

NOTES:  
 Refer to Abutment No. 1 for Abutment Notes.

LOCATION: RANS BR 2115	LINE SEGMENT 7400	WICHITA, KS
SHEET NO. 05	SCALE AS NOTED	APPD.
DESIGNED BY: EKD	DETAILED BY: DML	QUANTITIES BY: DML
DESIGN CK: DMH	DETAIL CK: EDJ	QUANT. CK: DMH
TRACED BY: DML	TRACED BY: DML	TRACED BY: DML
DATE: 11/11/04	BY: EKD	APPD: DMH
<b>CITY OF WICHITA</b> <b>MURDOCK</b> <b>WICHITA CENTRAL CORRIDOR</b> <b>WINGWALL ELEVATION &amp; DETAILS</b>		