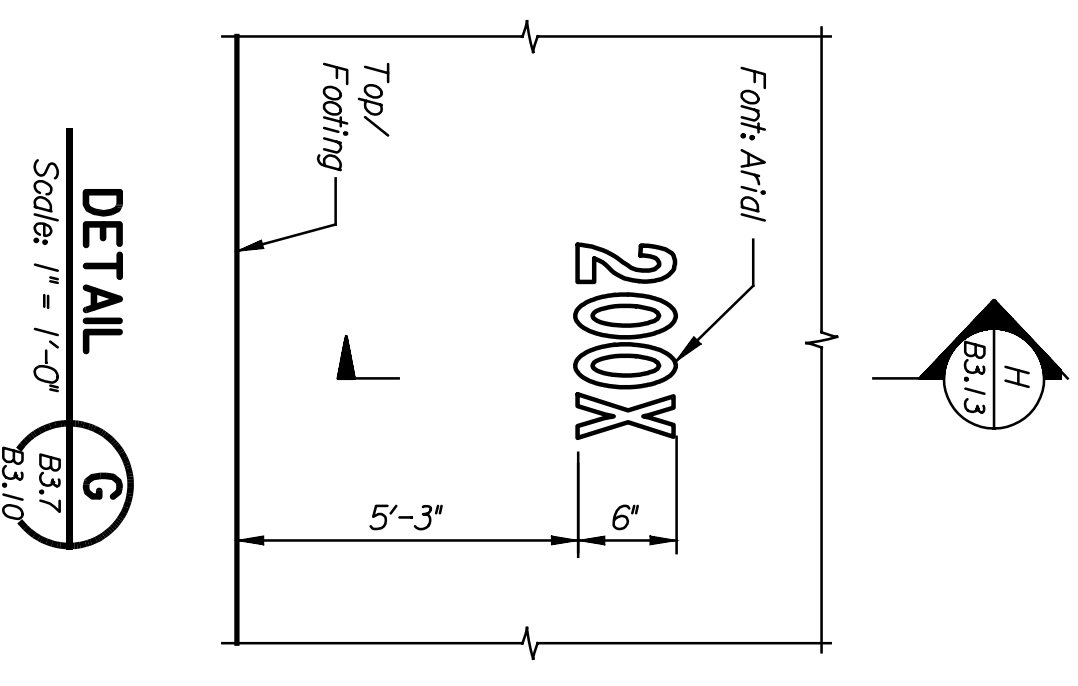
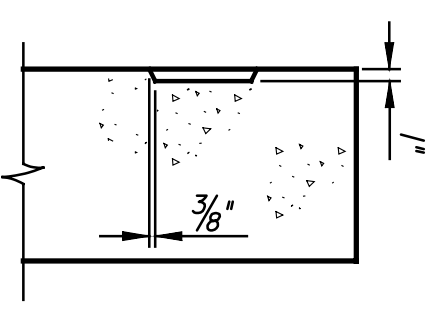
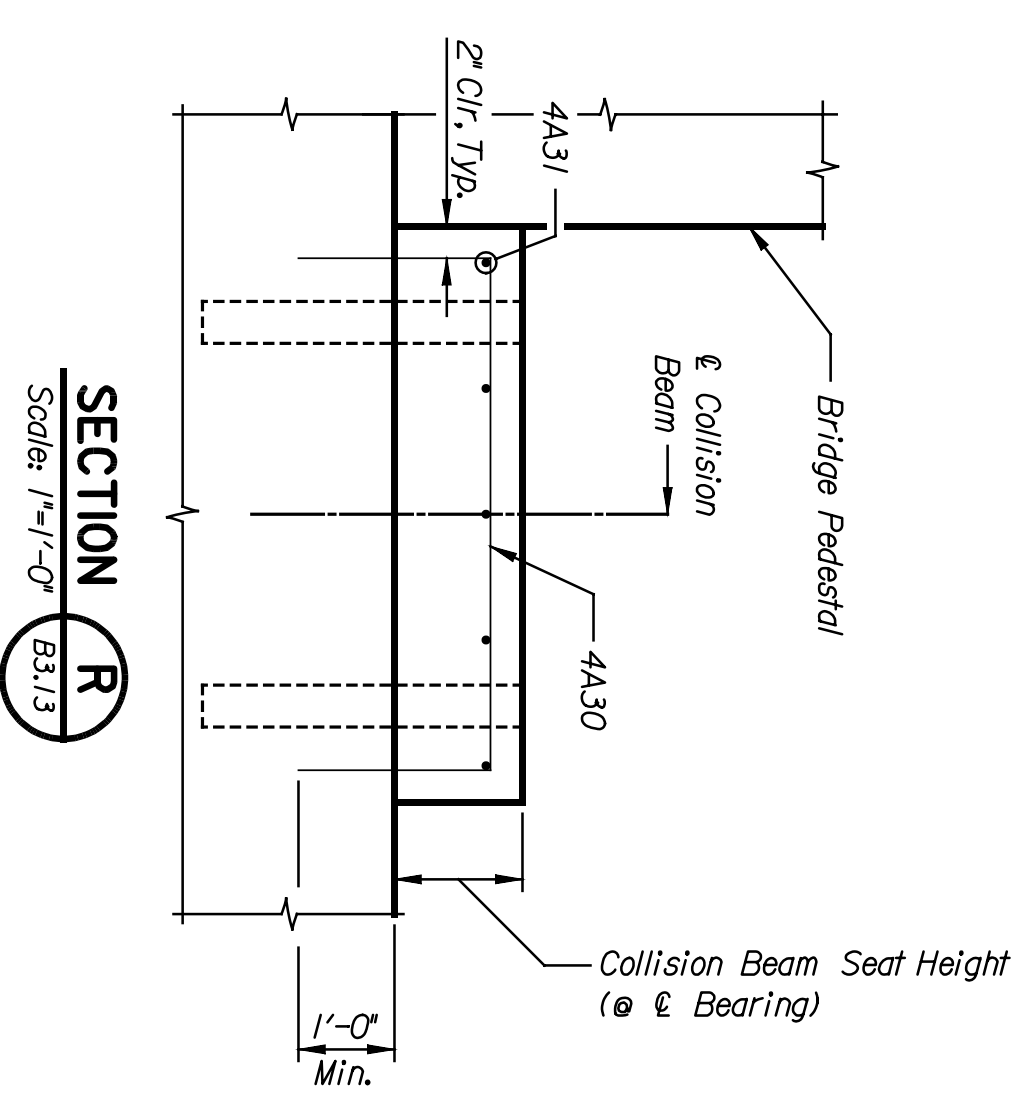
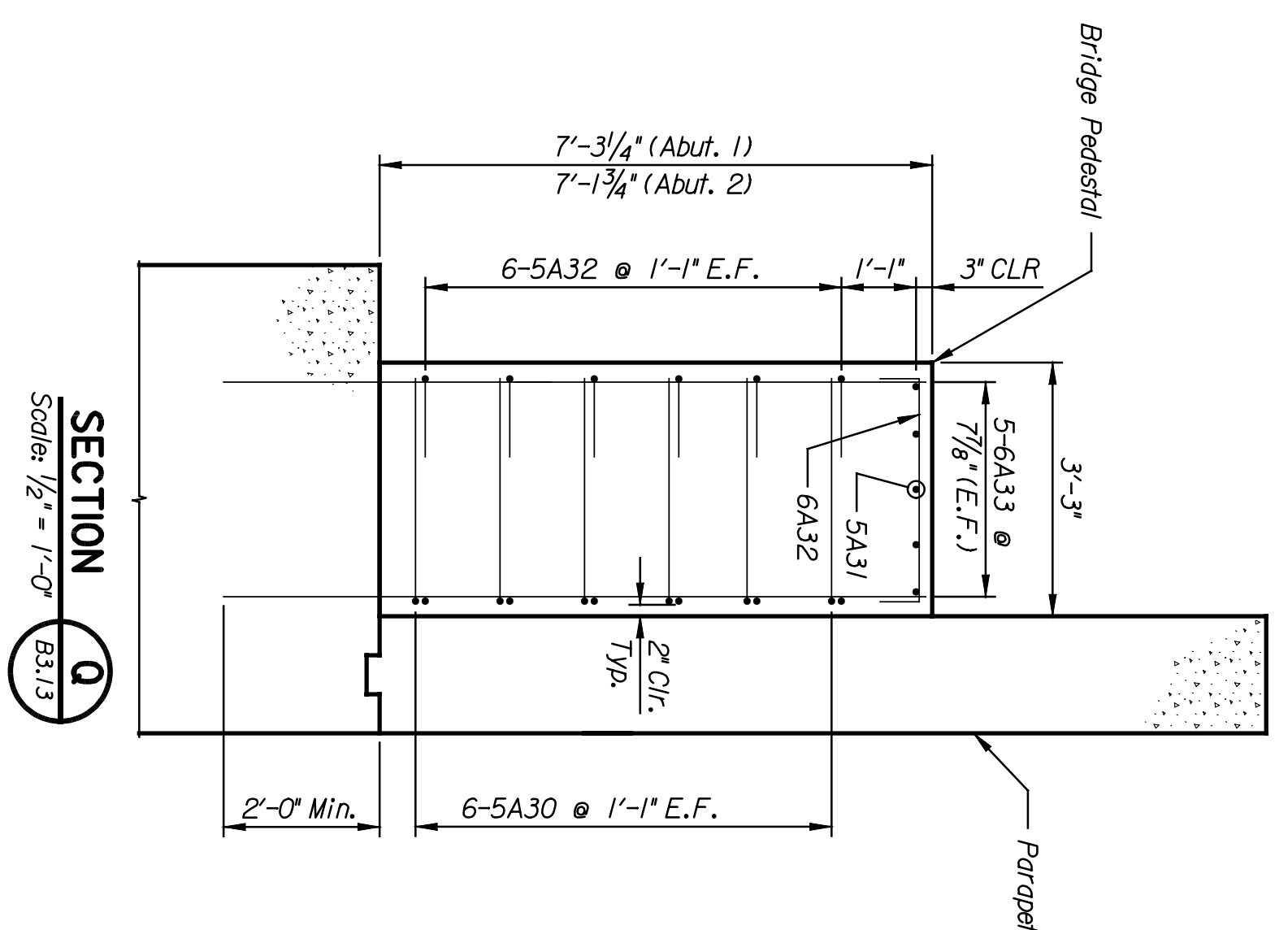
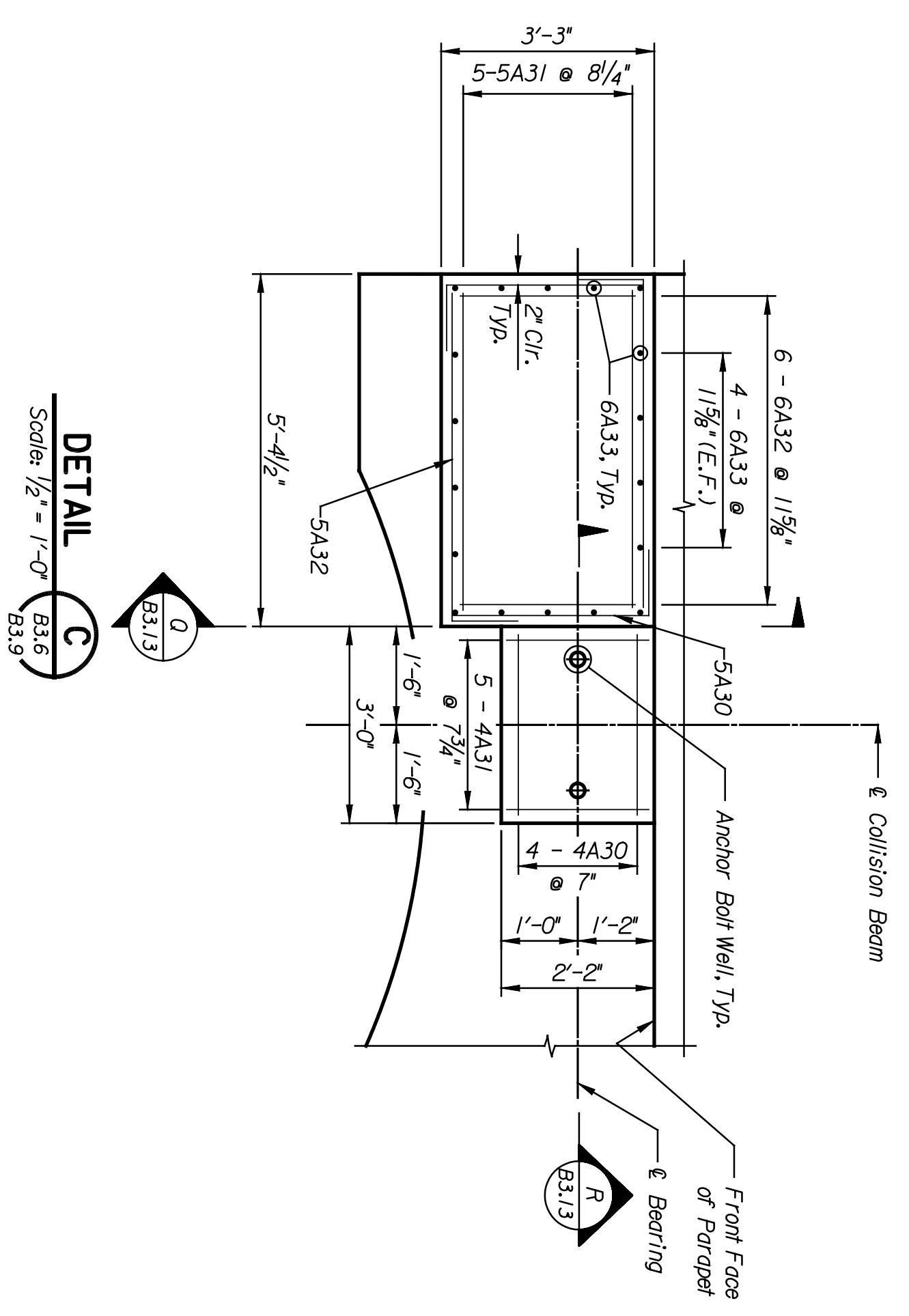


	BY	DATE

Plotted on: 04-JAN-2005 13:08 *time\$
 dJamison Plot Queue: #queue\$
 Plot Scale: #scale\$ Pen Table: #pentables
 Design Filename: k:\b29049\BridgesDec2004\Base Bld\Murdock\drawings\mlla.dgn



NOTE:
 Adjust reinforcing to maintain clear cover to concrete surfaces.
 The year of construction shall be as directed by the Engineer.

STATE	PROJECT NO.	YEAR	SHEET NO.	TOTAL SHEETS
KANSAS	472-84071	2005	B313	

NOTES:
 Refer to Abutment No. 1 for Abutment Notes.

This sheet designed by:



ARCHITECTS ENGINEERS PLANNERS

COLLISION BEAM SEAT HEIGHTS			
ABUTMENT	WEST CORNER	EAST CORNER	
1	8"	6"	
2	6 3/4"	4 3/4"	

LOCATION: RWSF BR 2015 WICHITA, KS LINE SEGMENT 7400

SHEET NO. OF		SCALE AS NOTED		APP'D.	
DESIGNED	QMS	DETAILED	DLJ	QUANTITIES	DLJ
DESIGN CK.	FND	DETAIL CK.	JWH	QUANTCK.	DMH
CITY OF WICHITA		MURDOCK		DRAWN	
WICHITA CENTRAL CORRIDOR		ABUTMENT DETAILS		CHECKED	
NO.		DATE		REVISIONS	
1					
2					
3					