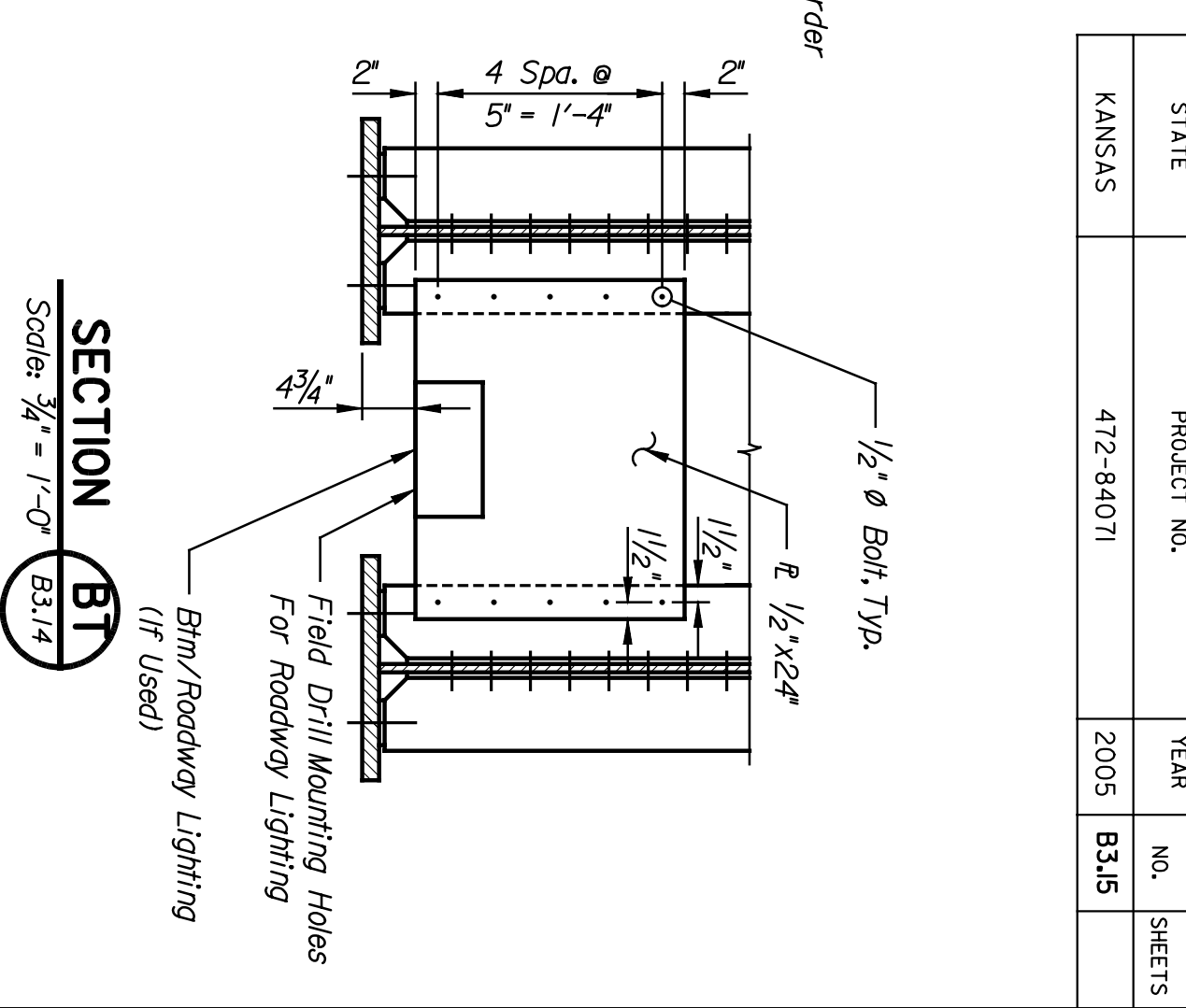
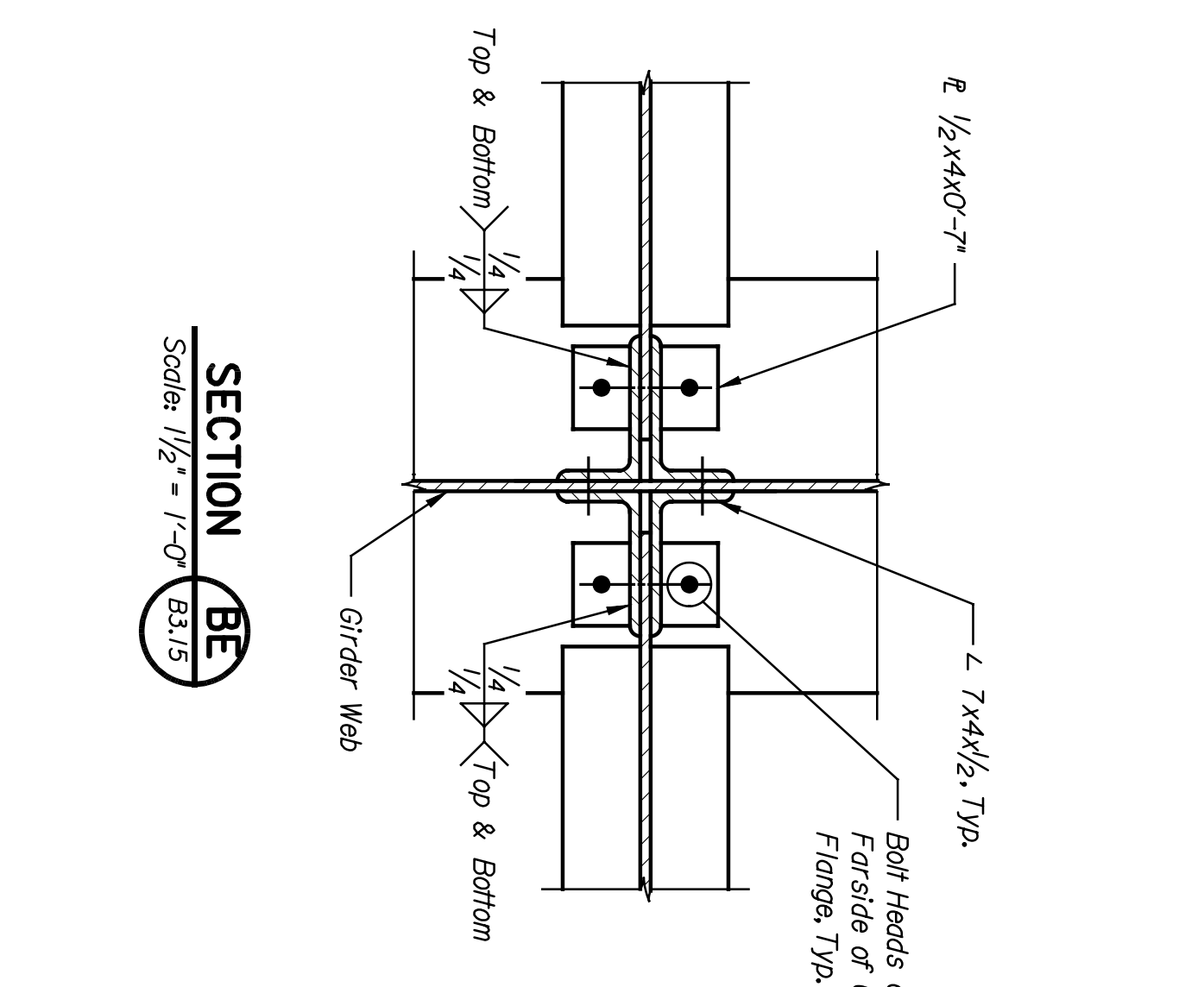
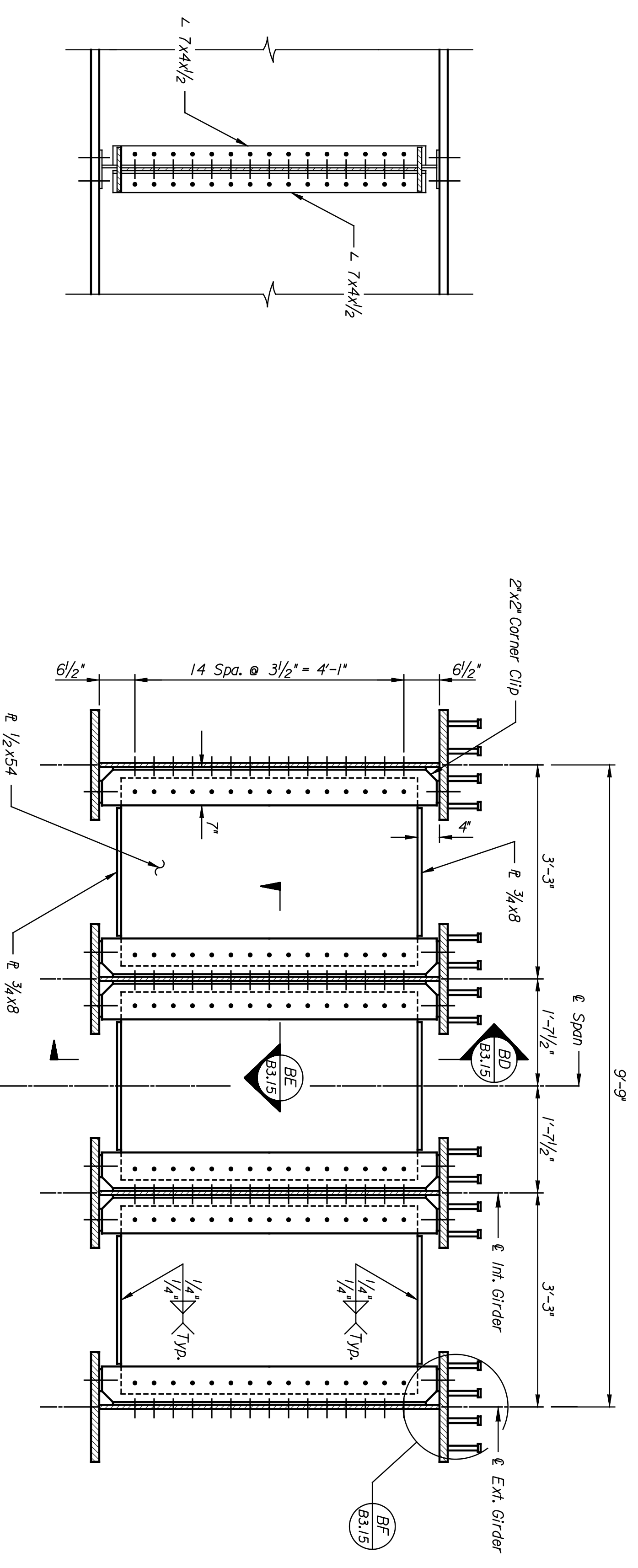


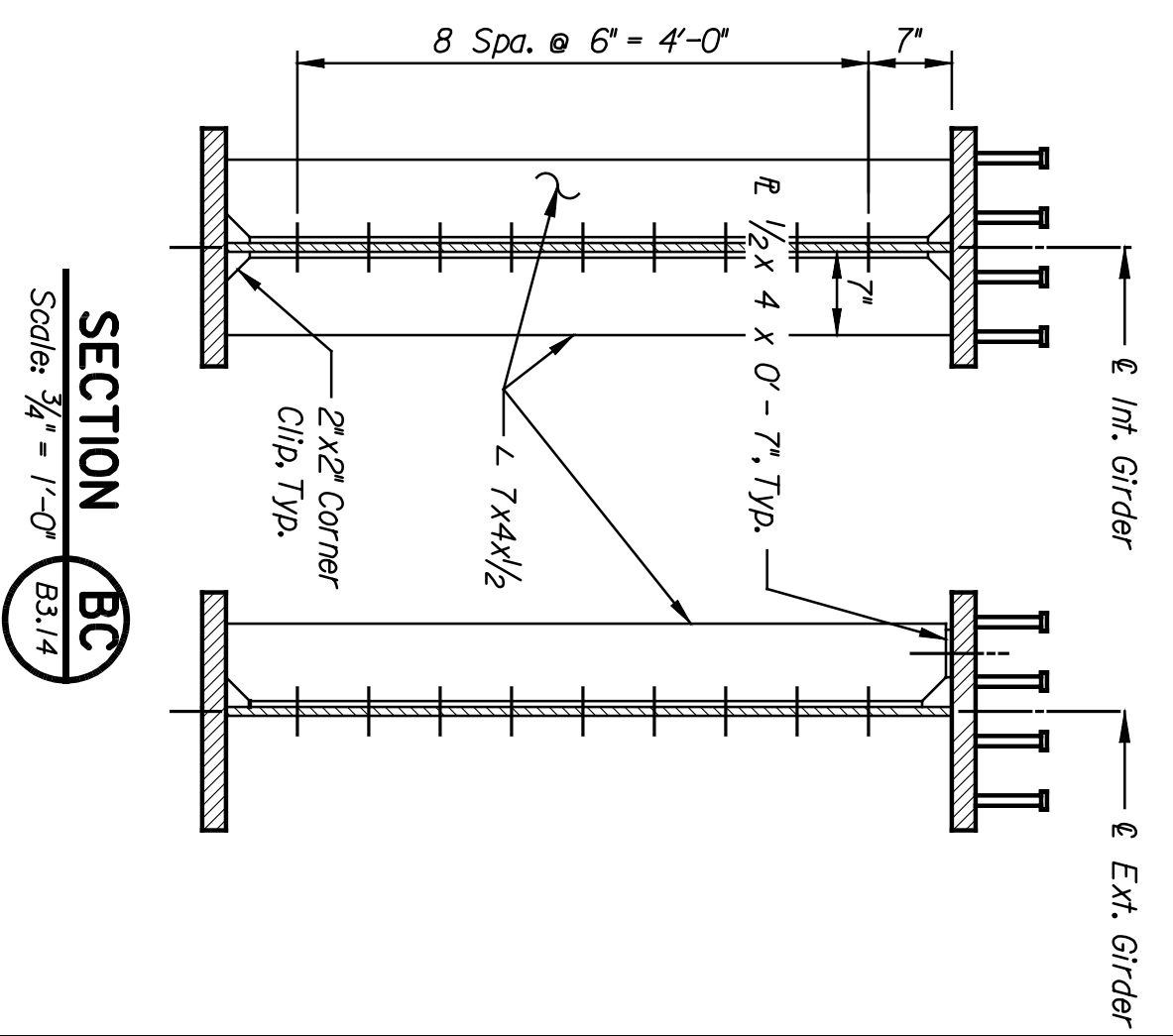
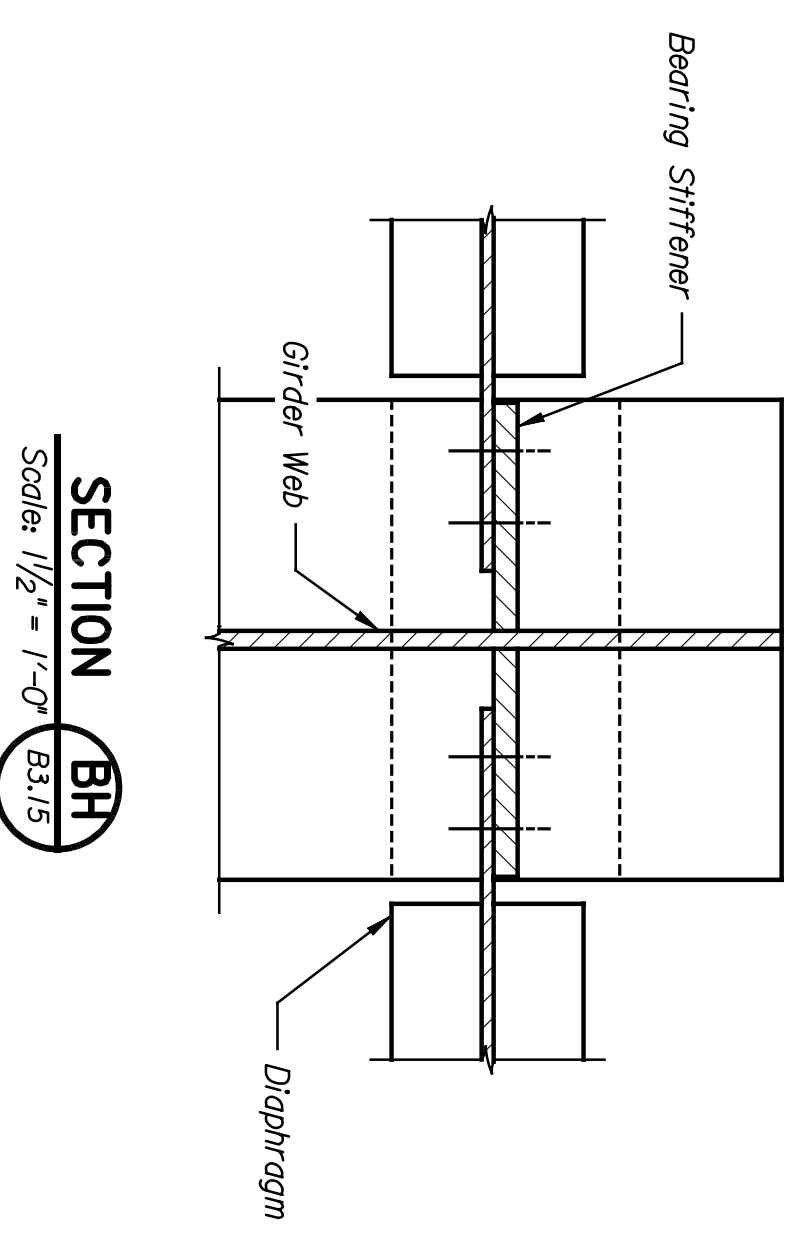
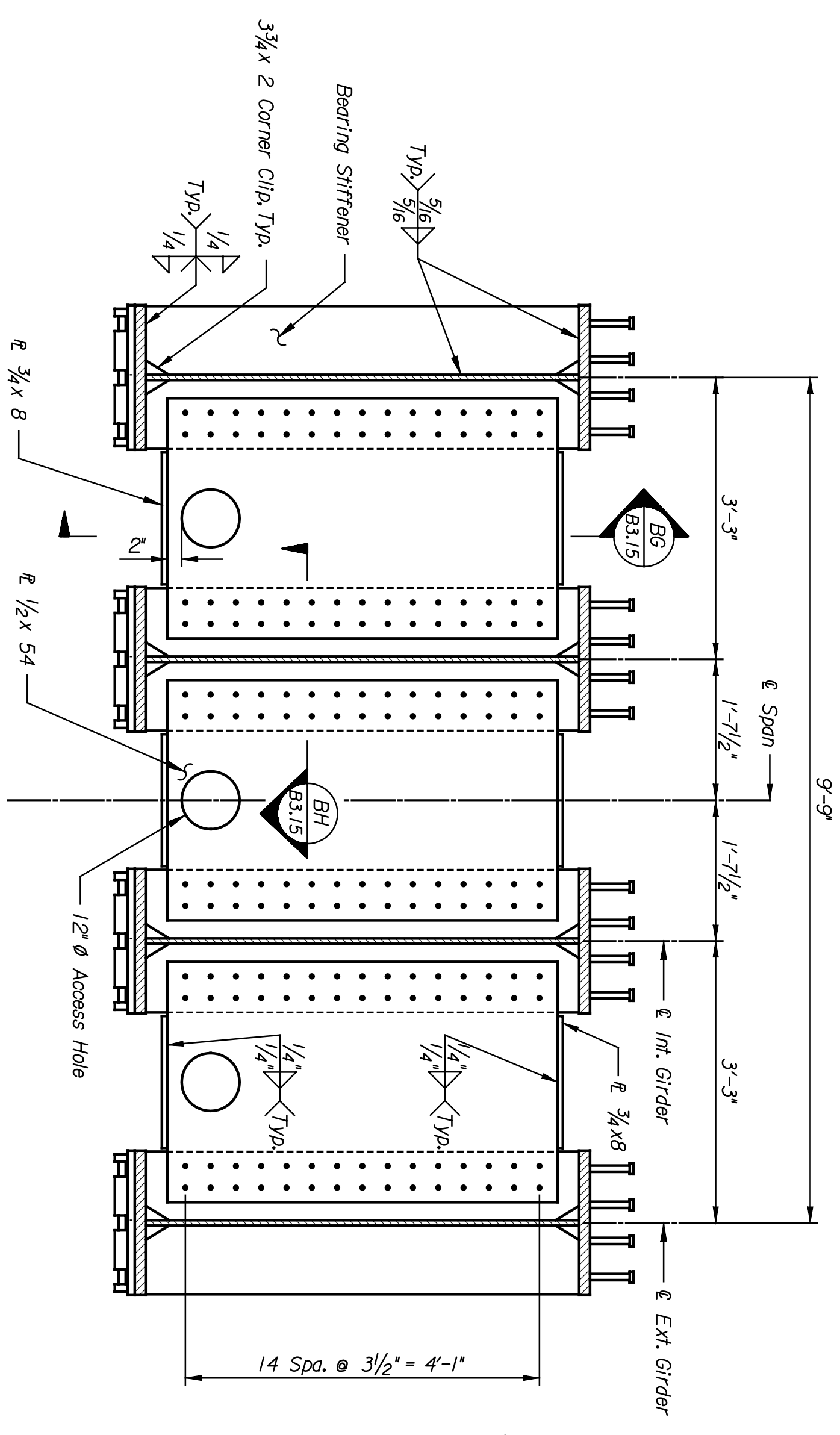
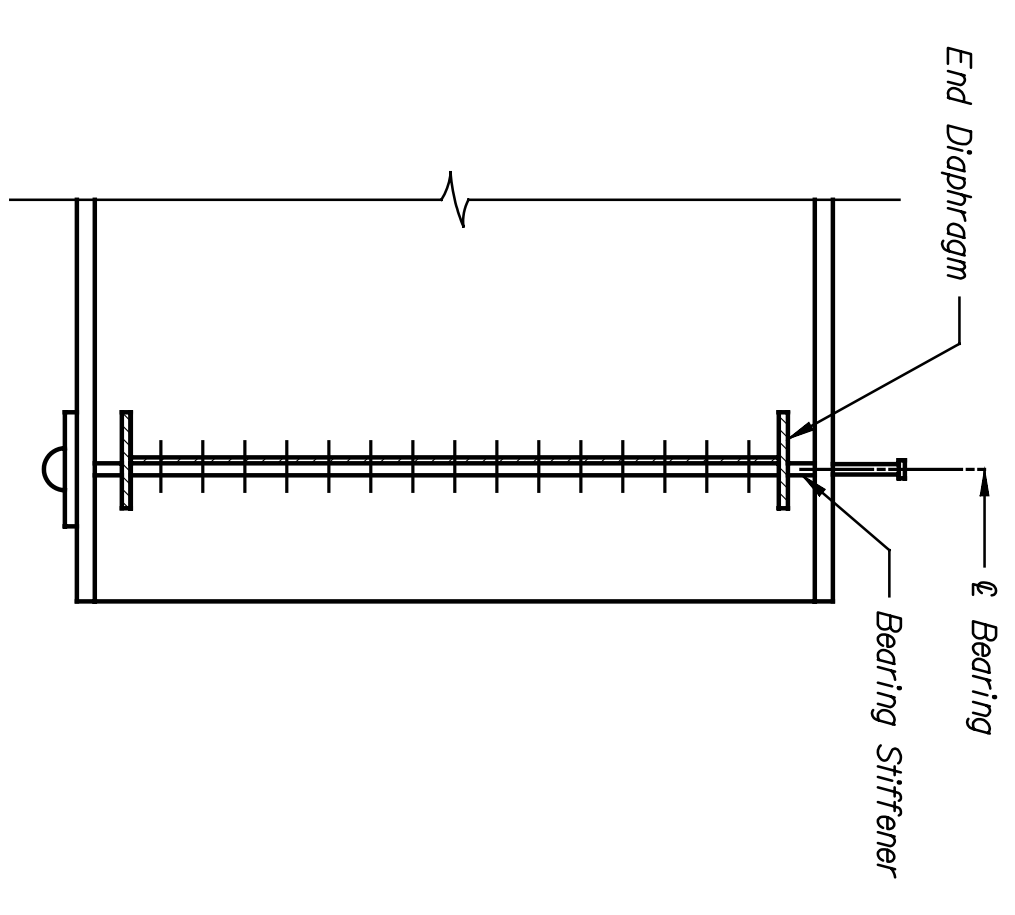
BY	DATE



SECTION BD
 Scale: 3/4" = 1'-0" B3.1/5

SECTION BA
 Scale: 3/4" = 1'-0" B3.1/4

DETAIL BF
 Scale: 1" = 1'-0" B3.1/5



This sheet designed by:



ARCHITECTS ENGINEERS PLANNERS

STATE	PROJECT NO.	YEAR	SHEET NO.	TOTAL SHEETS
KANSAS	472-84071	2005	B3.1/5	

SHEET NO.		SCALE AS NOTED		APP'D.	
DESIGNED	ENR	DETAILED	DUJ	QUANTITIES	DUJ
DESIGN GR.	BWH	DETAIL GR.	EDJ	QUANTITIES	DMH
NO.		DATE		REVISIONS	
				BY	
				APP'D.	

CITY OF WICHITA
MURDOCK
WICHITA CENTRAL CORRIDOR
TYPICAL SUPERSTRUCTURE DETAILS

LOCATION: RANSF BR 2015
 WICHITA, KS
 LINE SEGMENT 7400