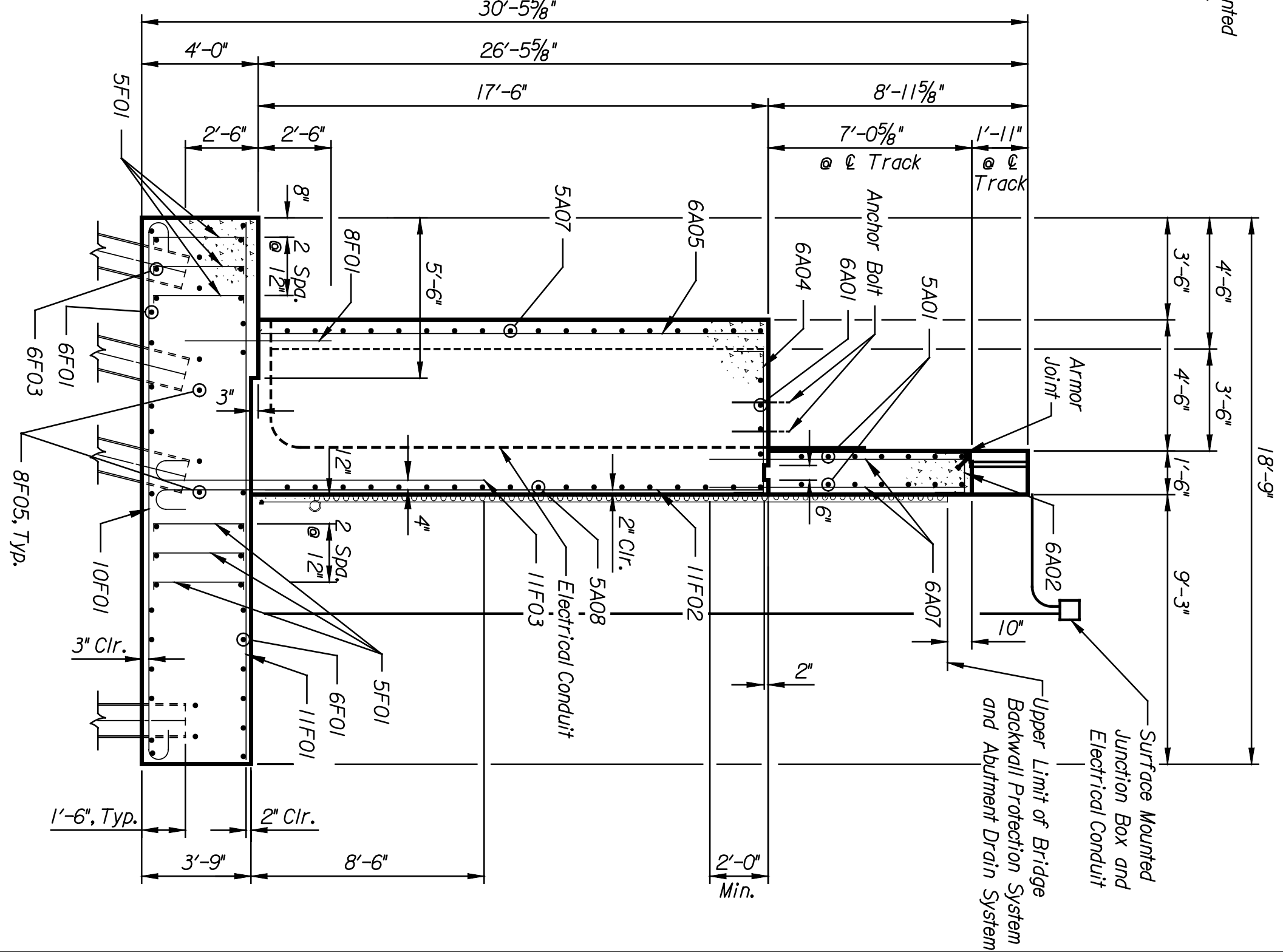
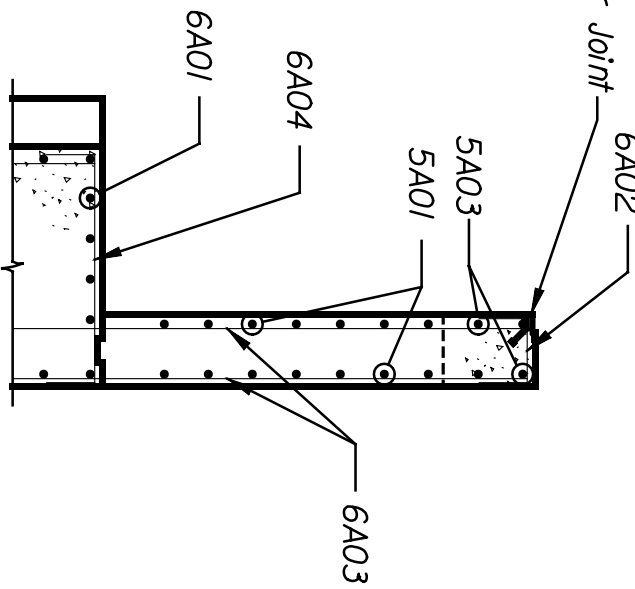
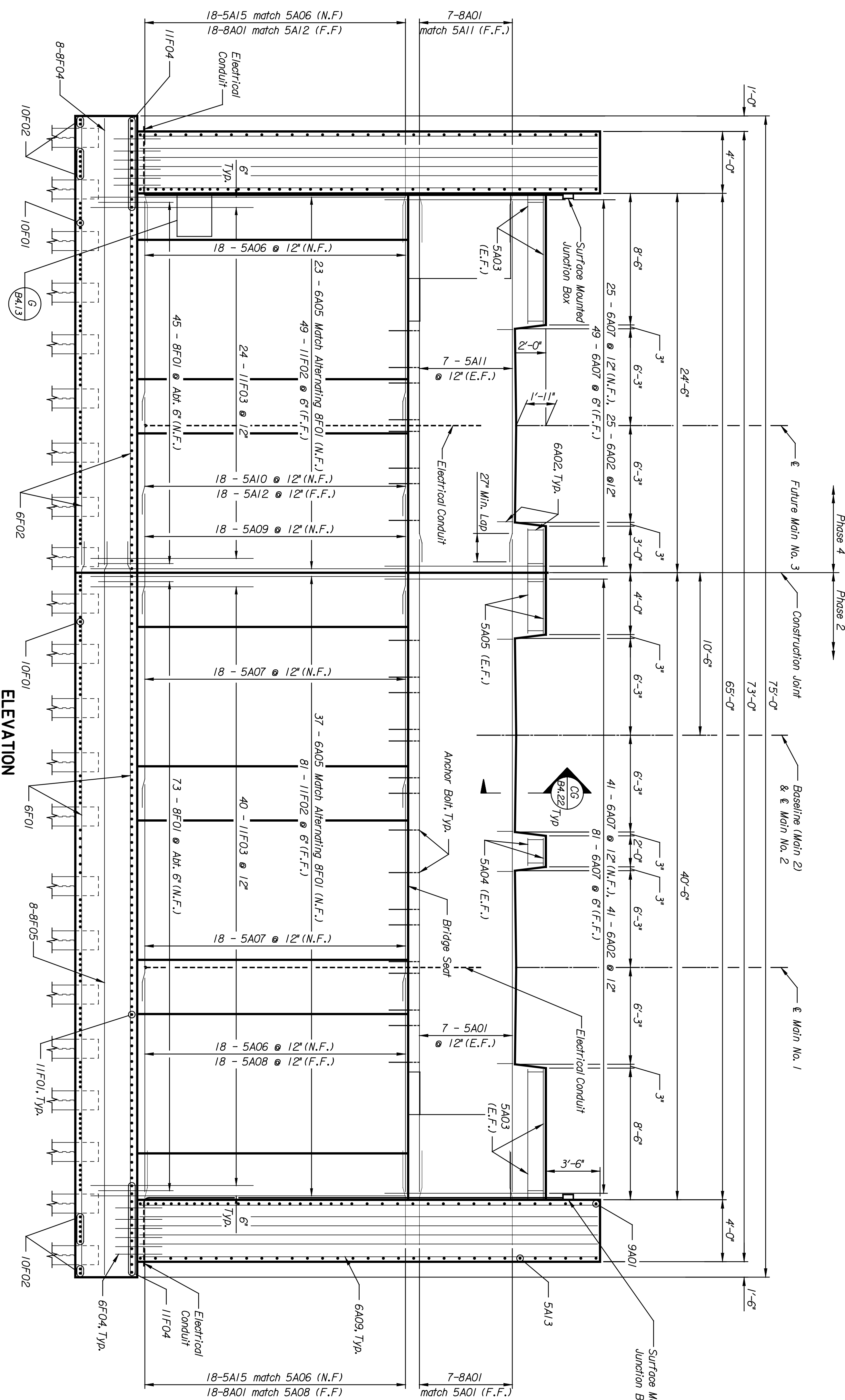


BY	DATE

PNTB
 ARCHITECTS ENGINEERS PLANNERS

This sheet designed by:



NOTES:
 Collision Beam pedestal reinforcing not shown for clarity.
 Refer to Abutment No. 1 for Abutment Notes.

REFERENCES:
 Collision Beam Pedestal, Refer to B4.13.
 Collision Beam Details, Refer to B4.25.

LOCATION:	WICHITA, KS
PROJECT NO.:	472-84071
YEAR NO.:	2005
SHEET NO.:	B4.10
TOTAL SHEETS:	

CITY OF WICHITA	
CENTRAL	
WICHITA CENTRAL CORRIDOR	
ABUTMENT NO. 2 ELEVATION & DETAILS	
SHEET NO.:	05
DESIGNED BY:	ENJO
DRAWN BY:	CMIS
SCALE:	AS NOTED
DATE:	
REVISIONS:	
NO.:	
DATE:	
BY:	
APP'D:	