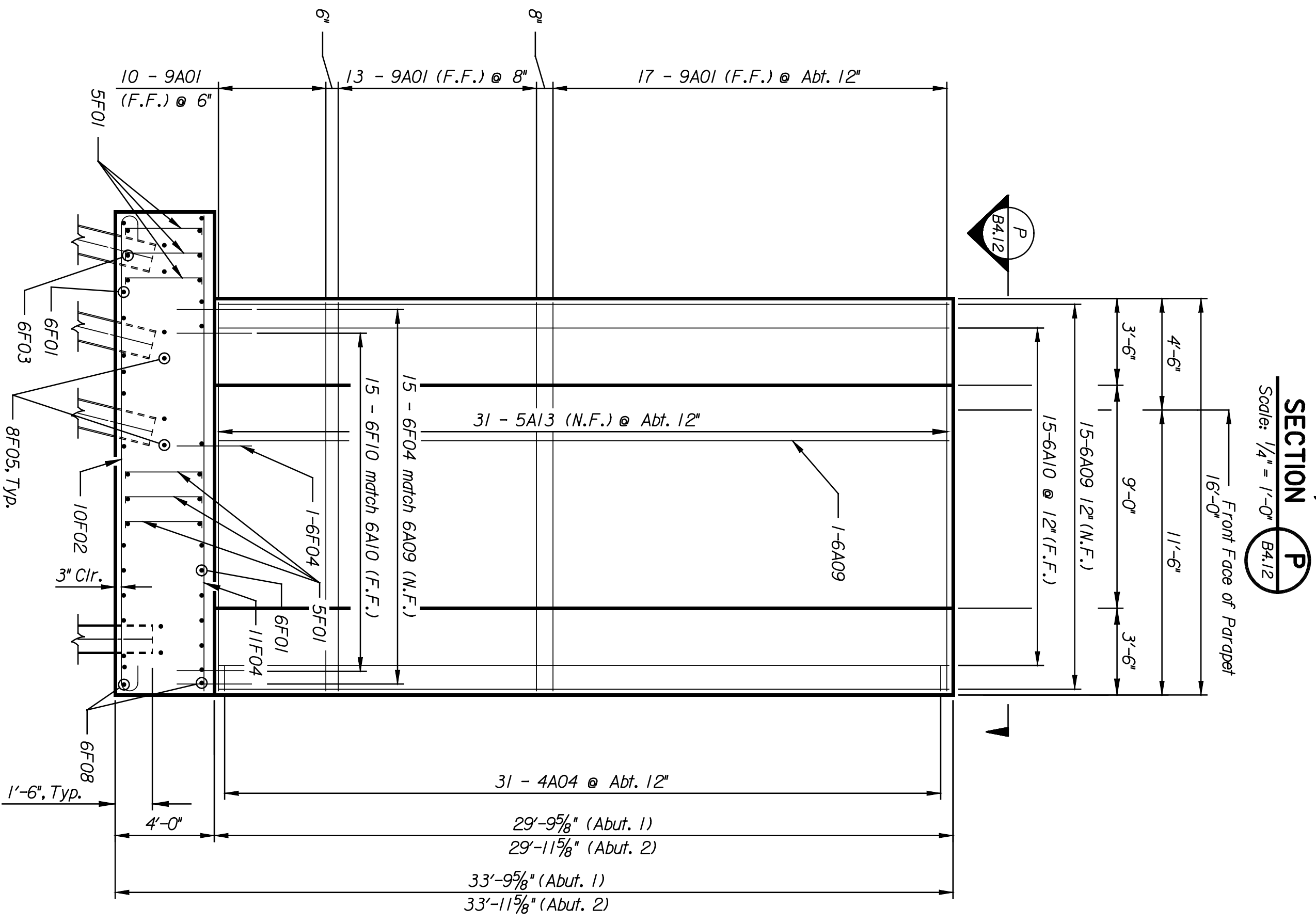
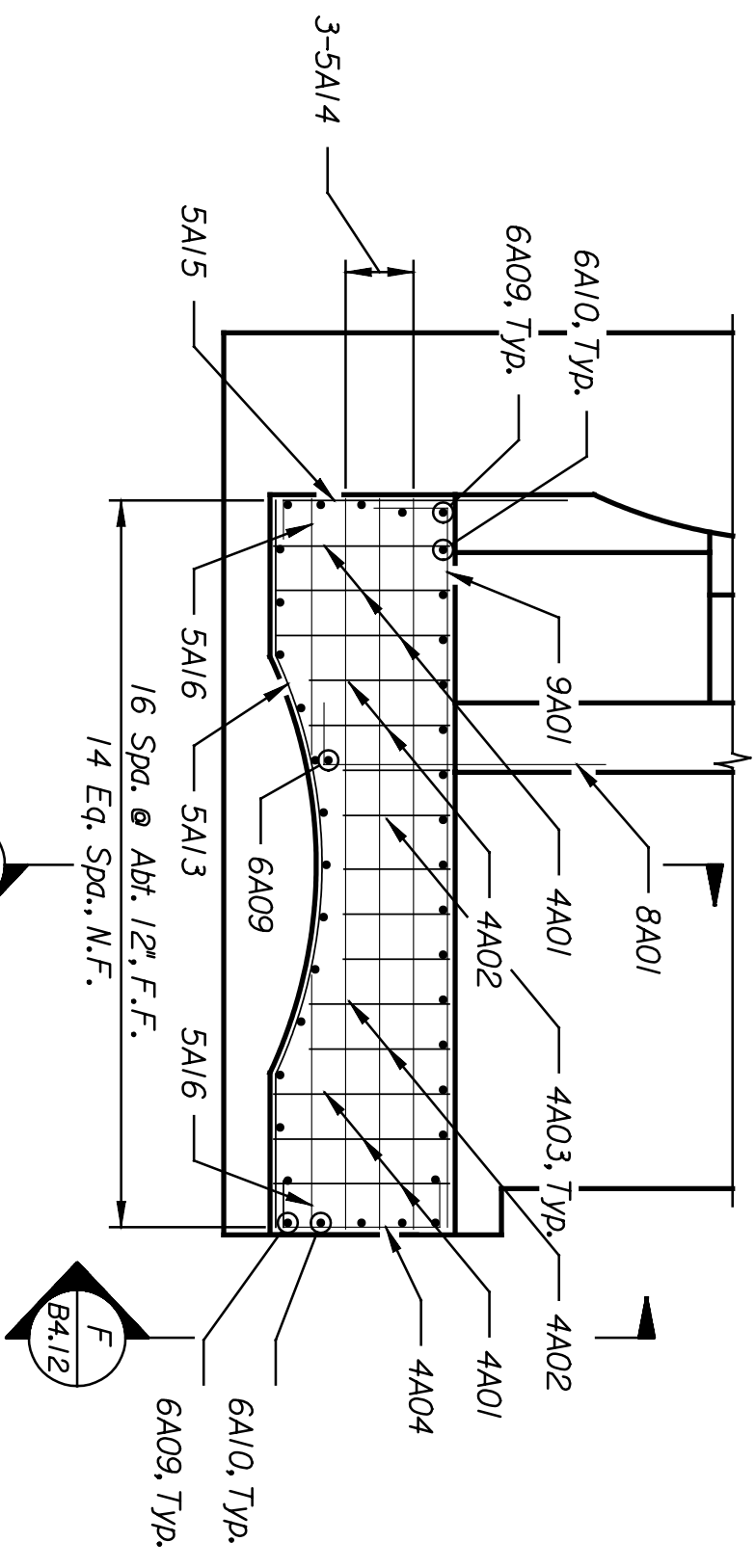


	BY	DATE



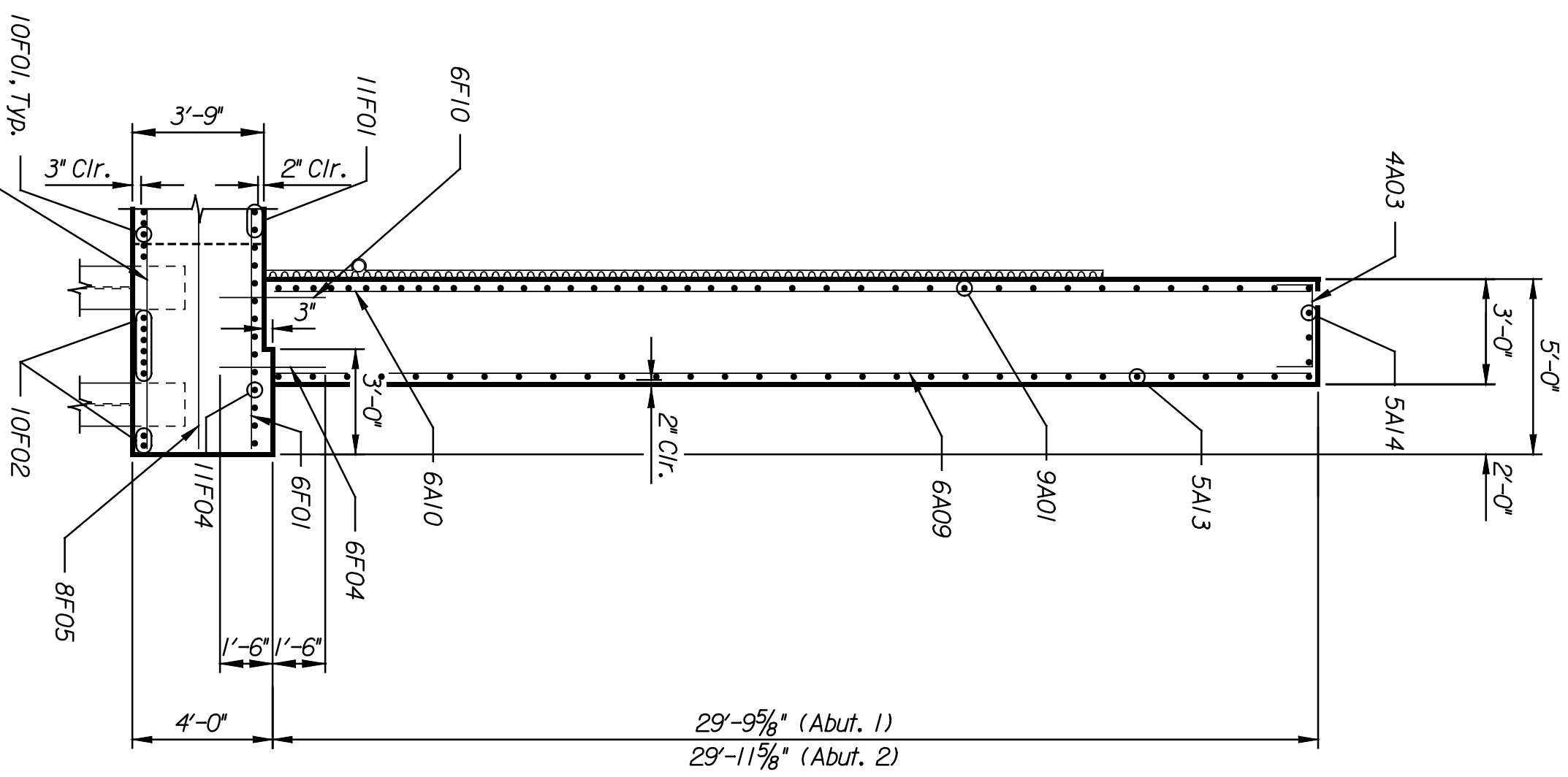
SECTION P
 Scale: 1/4" = 1'-0"
 B4.12

VIEW D
 Scale: 1/4" = 1'-0"
 B4.6
 B4.9

Abut. 2 Shown, Abut. 1 Similar

Abut. 2 Shown, Abut. 1 Similar

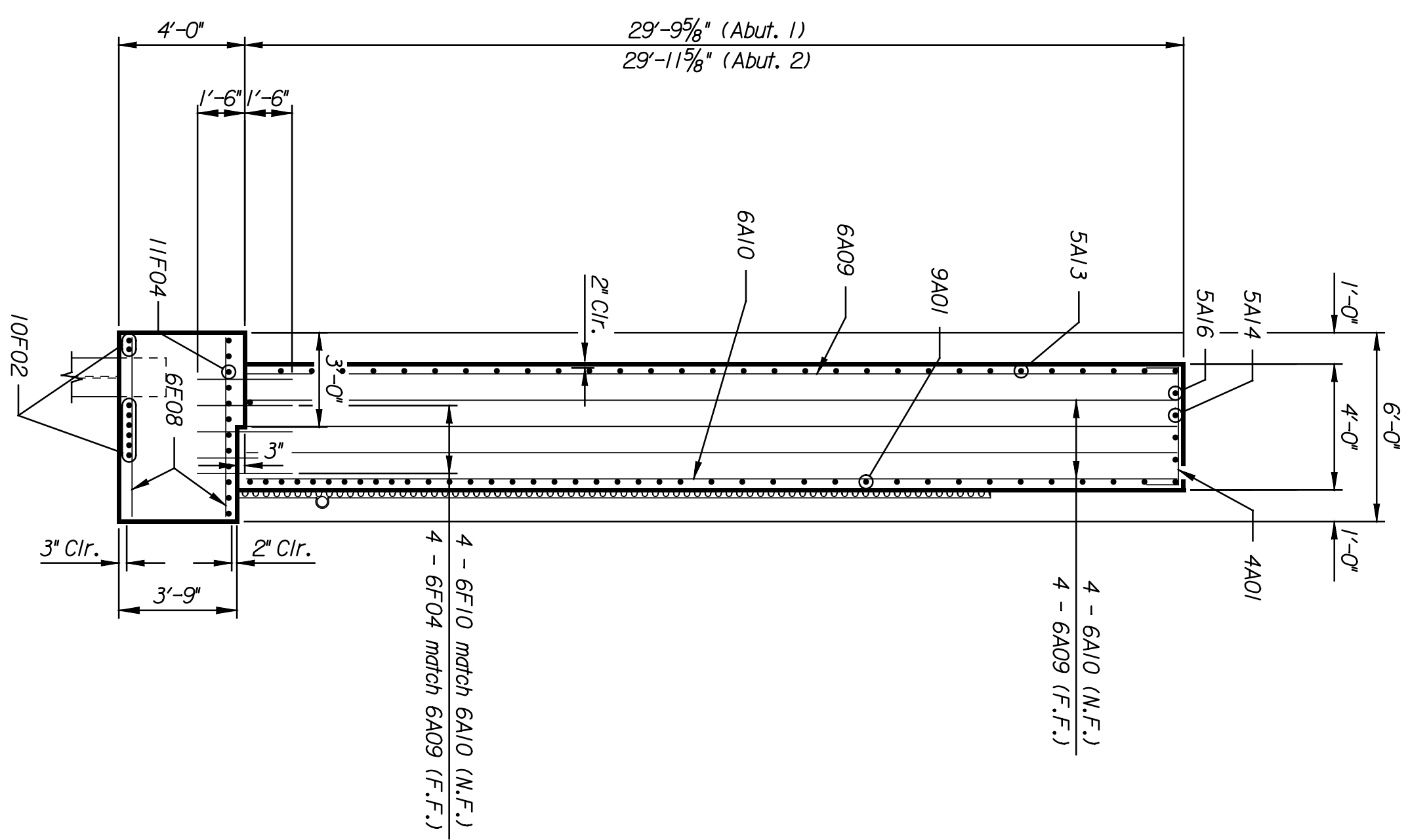
Abut. 2 Shown, Abut. 1 Similar



SECTION E
 Scale: 1/4" = 1'-0"
 B4.12

VIEW E
 Scale: 1/4" = 1'-0"
 B4.6
 B4.9

Abut. 2 Shown, Abut. 1 Similar



VIEW F
 Scale: 1/4" = 1'-0"
 B4.12

VIEW F
 Scale: 1/4" = 1'-0"
 B4.6
 B4.9

Abut. 2 Shown, Abut. 1 Similar

STATE	PROJECT NO.	YEAR	SHEET NO.	TOTAL SHEETS
KANSAS	472-84071	2005	B4.12	

NOTES:
 Refer to Abutment No. 1 for Abutment Notes.

PNTEB
 ARCHITECTS ENGINEERS PLANNERS

This sheet designed by:

LOCATION: RWS BR 218	LINE SEGMENT 7400	WICHITA, KS
SHEET NO. 05	SCALE AS NOTED	APPD.
DESIGNED BY: EKD	DETAILED BY: DML	QUANTITIES BY: DJL
DESIGN CK: DMH	DETAIL CK: EDJ	TRACED BY: DJL
		DATE: 01/04/05
		BY: APPD.

CITY OF WICHITA	
WICHITA CENTRAL CORRIDOR	
WINGWALL ELEVATION & DETAILS	