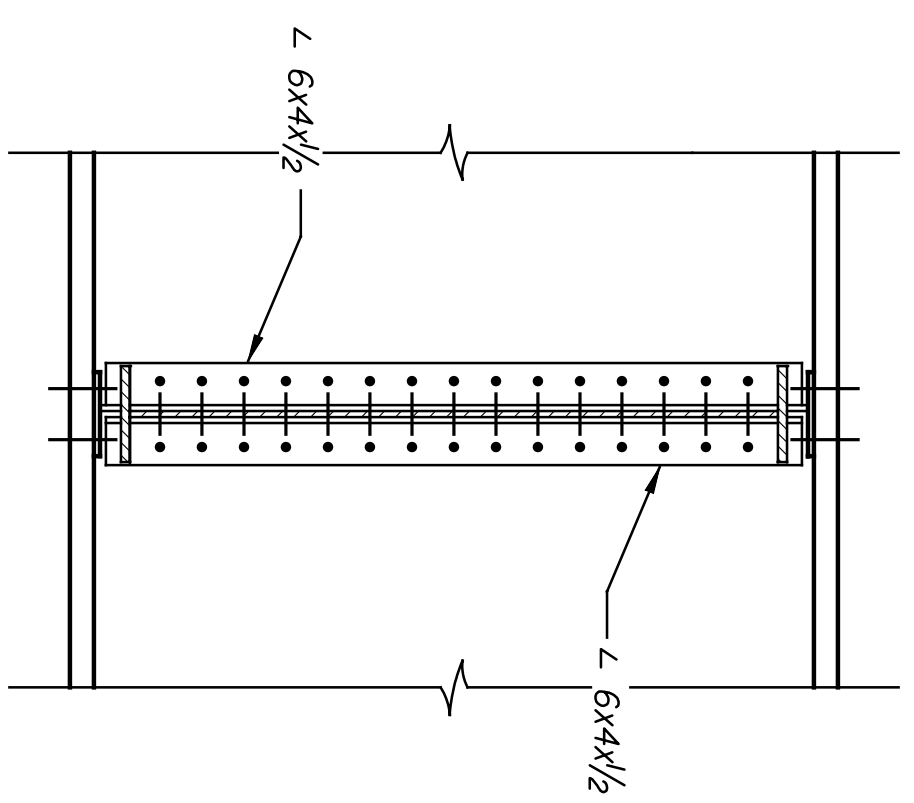
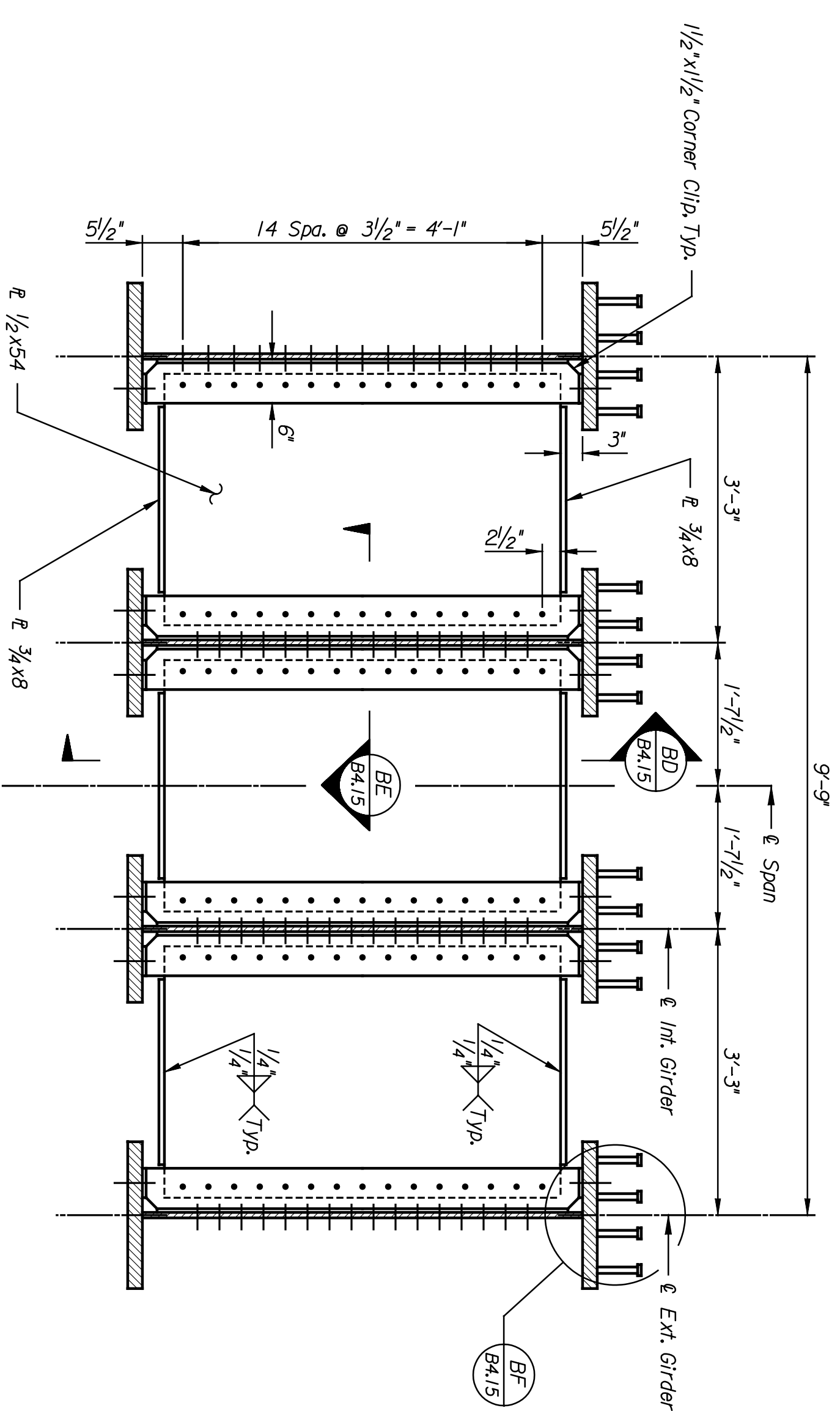


BY	DATE

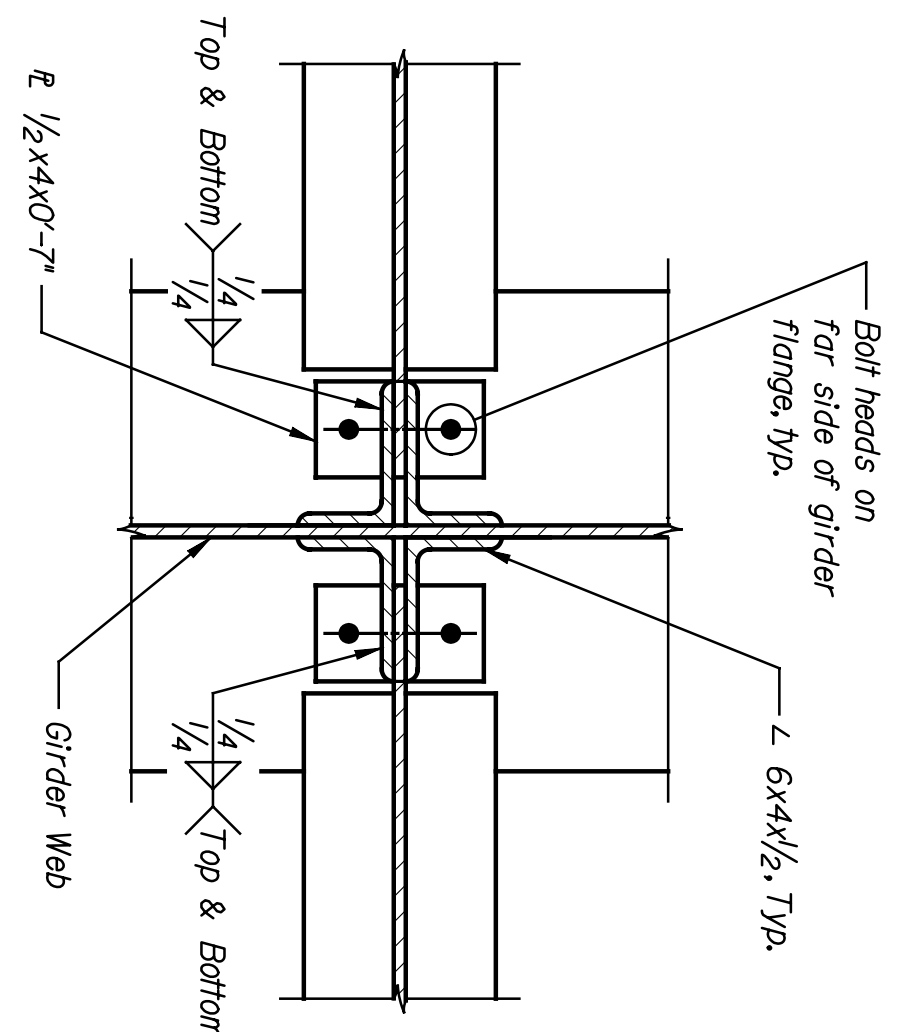
Plotted on: 04-JAN-2005 13:13 *time*
 djmlison Plot Queue: #queue*
 Plot Scale: #scale* Pen Table: #pentables
 Design Filename: k:\b29049\brldgesDec2004\Base Bld\Central\drawings\c04.dgn.



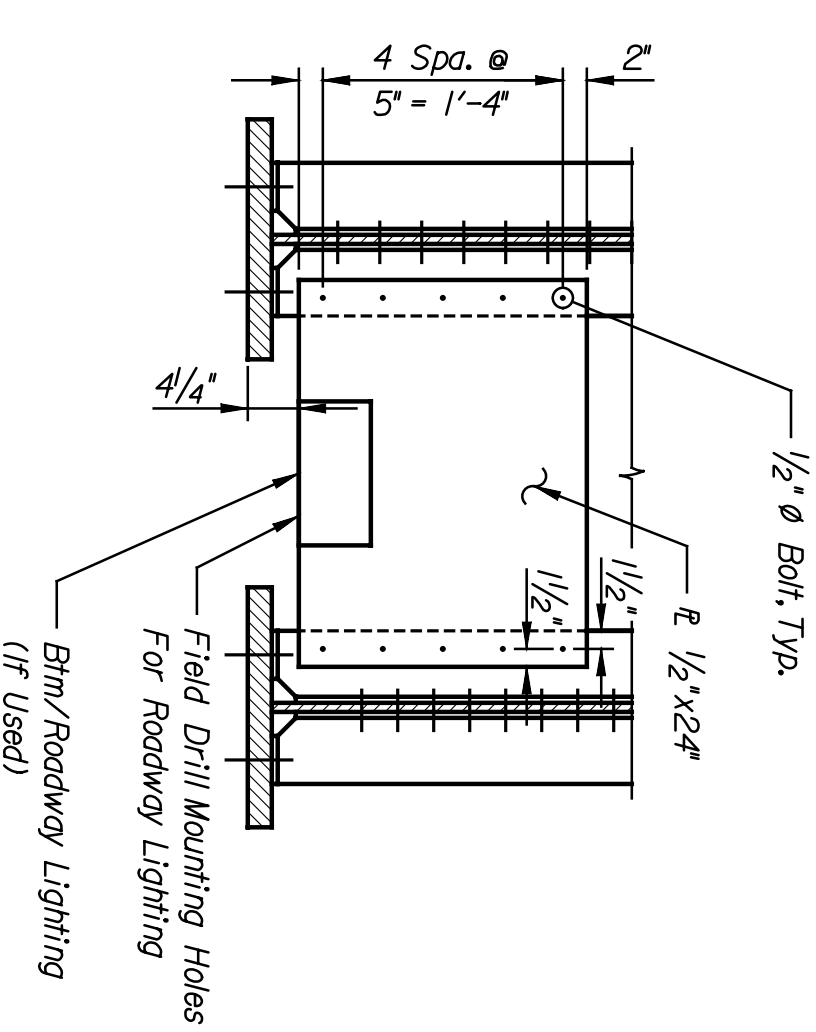
SECTION BD
 Scale: 3/4" = 1'-0" BA/15



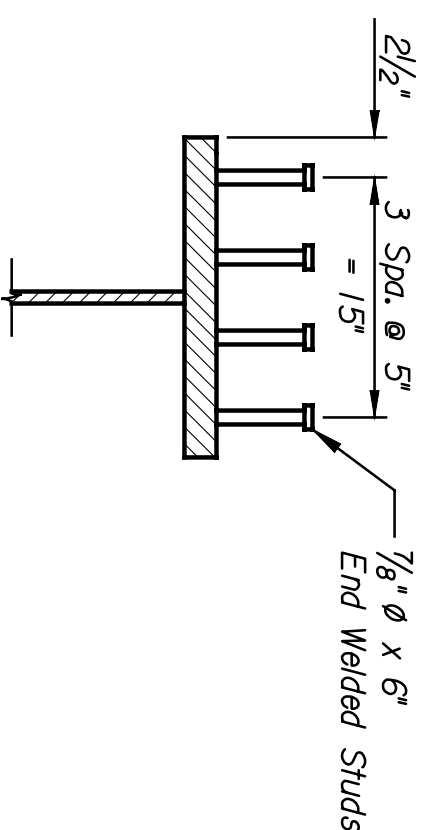
SECTION BA
 Scale: 3/4" = 1'-0" BA/14



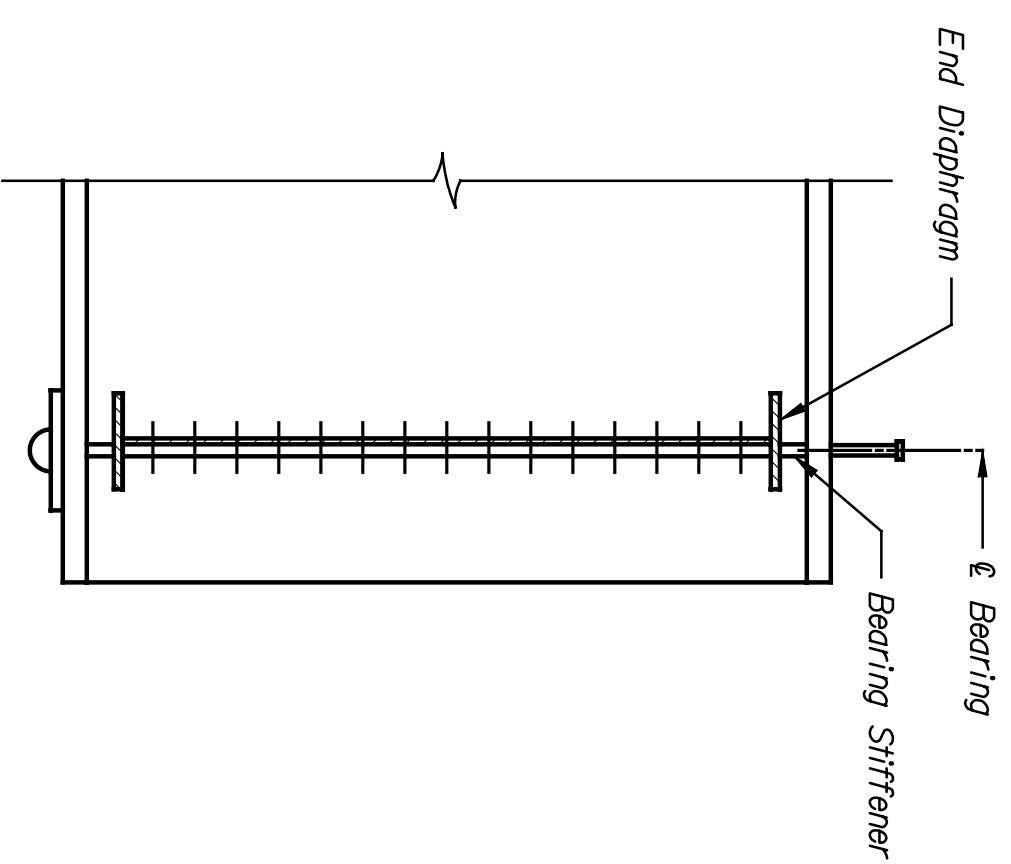
SECTION BE
 Scale: 1/2" = 1'-0" BA/15



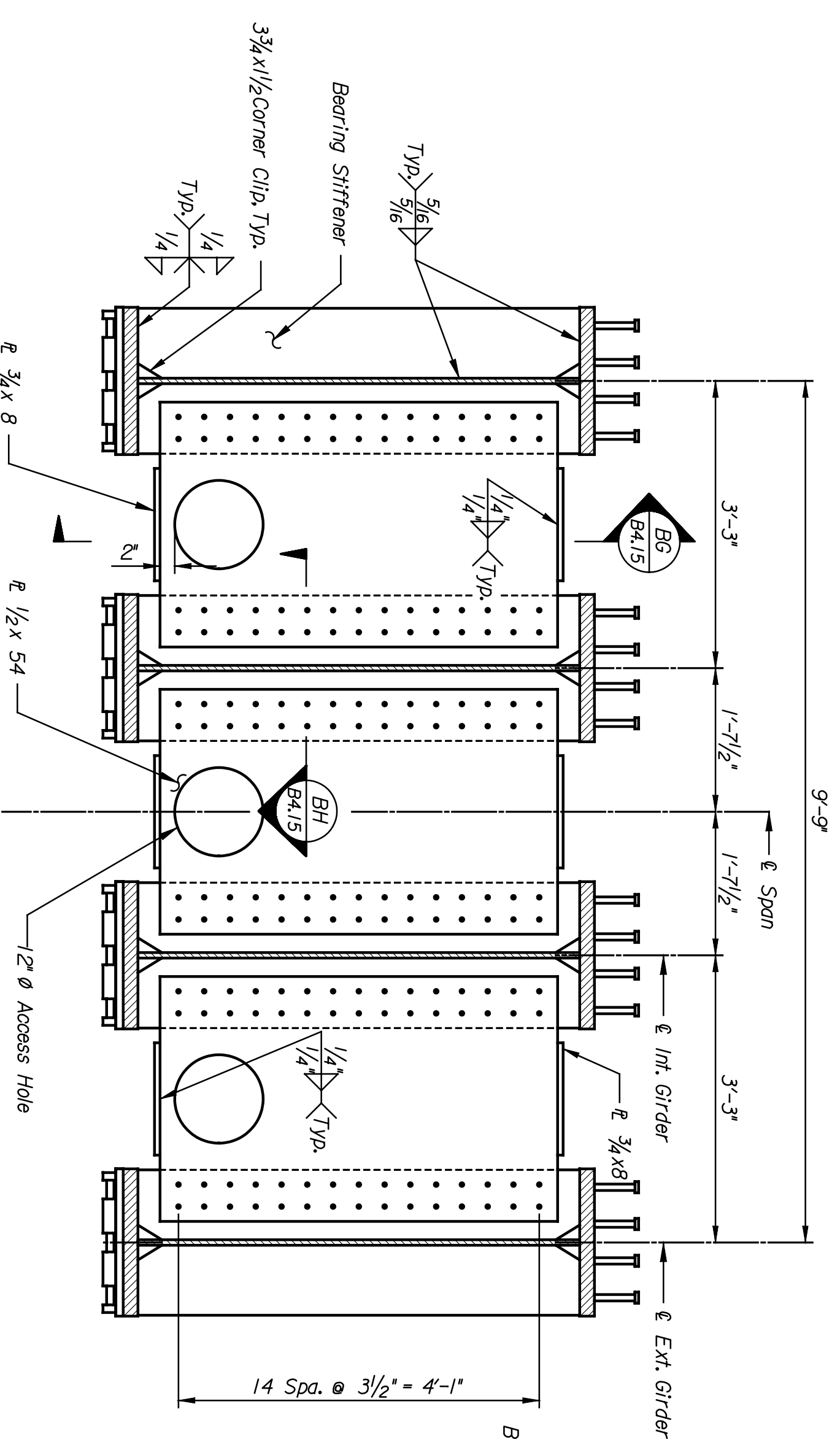
SECTION BT
 Scale: 3/4" = 1'-0" BA/15



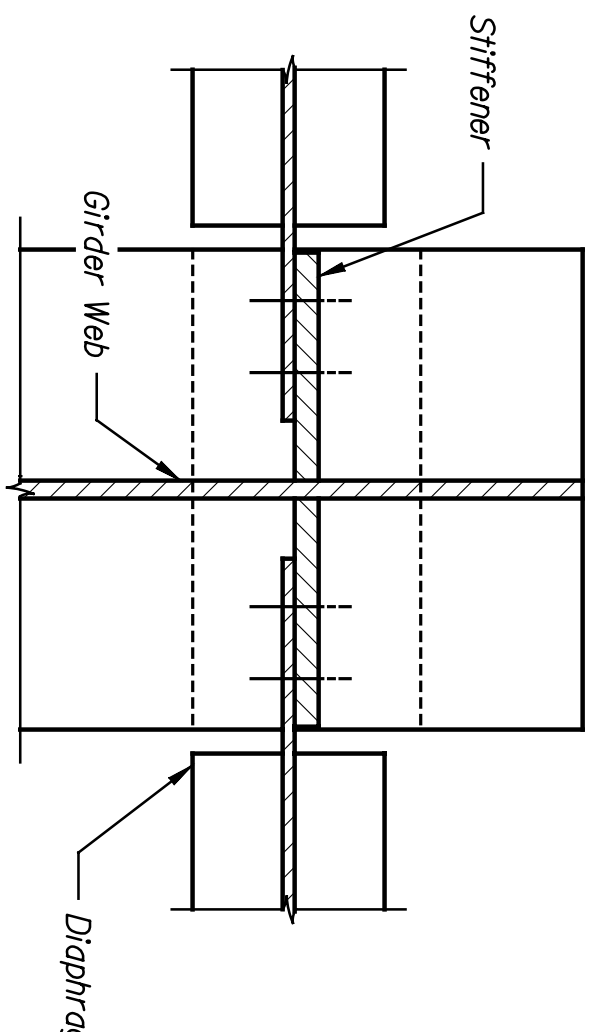
DETAIL BF
 Scale: 1" = 1'-0" BA/15



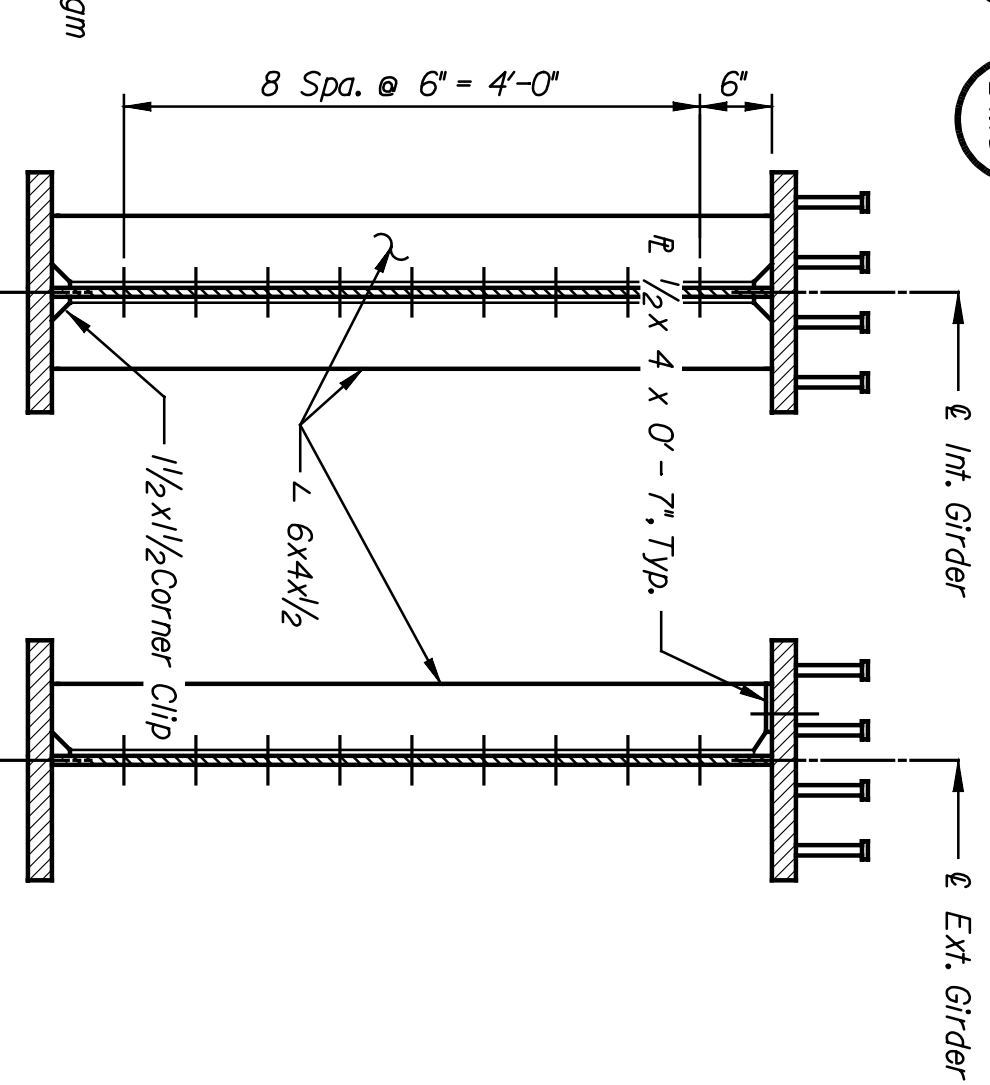
SECTION BG
 Scale: 3/4" = 1'-0" BA/15



SECTION BB
 Scale: 3/4" = 1'-0" BA/14



SECTION BH
 Scale: 1/2" = 1'-0" BA/15



SECTION BC
 Scale: 3/4" = 1'-0" BA/14

This sheet designed by:



ARCHITECTS ENGINEERS PLANNERS

STATE	PROJECT NO.	YEAR	SHEET NO.	TOTAL SHEETS
KANSAS	472-84071	2005	BA.15	

SHEET NO.		SCALE AS NOTED		APP'D.	
DESIGNED	ENR	DETAILED	BLV	QUANTITIES	DLL
DESIGN GR.	DWH	DETAIL GR.	EDJ	QUANT. GR.	DWH
CITY OF WICHITA		WICHITA, KS		LINE SEGMENT 7400	
CITY OF WICHITA		WICHITA, KS		LINE SEGMENT 7400	
CENTRAL WICHITA CENTRAL CORRIDOR		WICHITA, KS		LINE SEGMENT 7400	
TYPICAL SUPERSTRUCTURE DETAILS		WICHITA, KS		LINE SEGMENT 7400	
NO.		DATE		BY	
1					
2					
3					