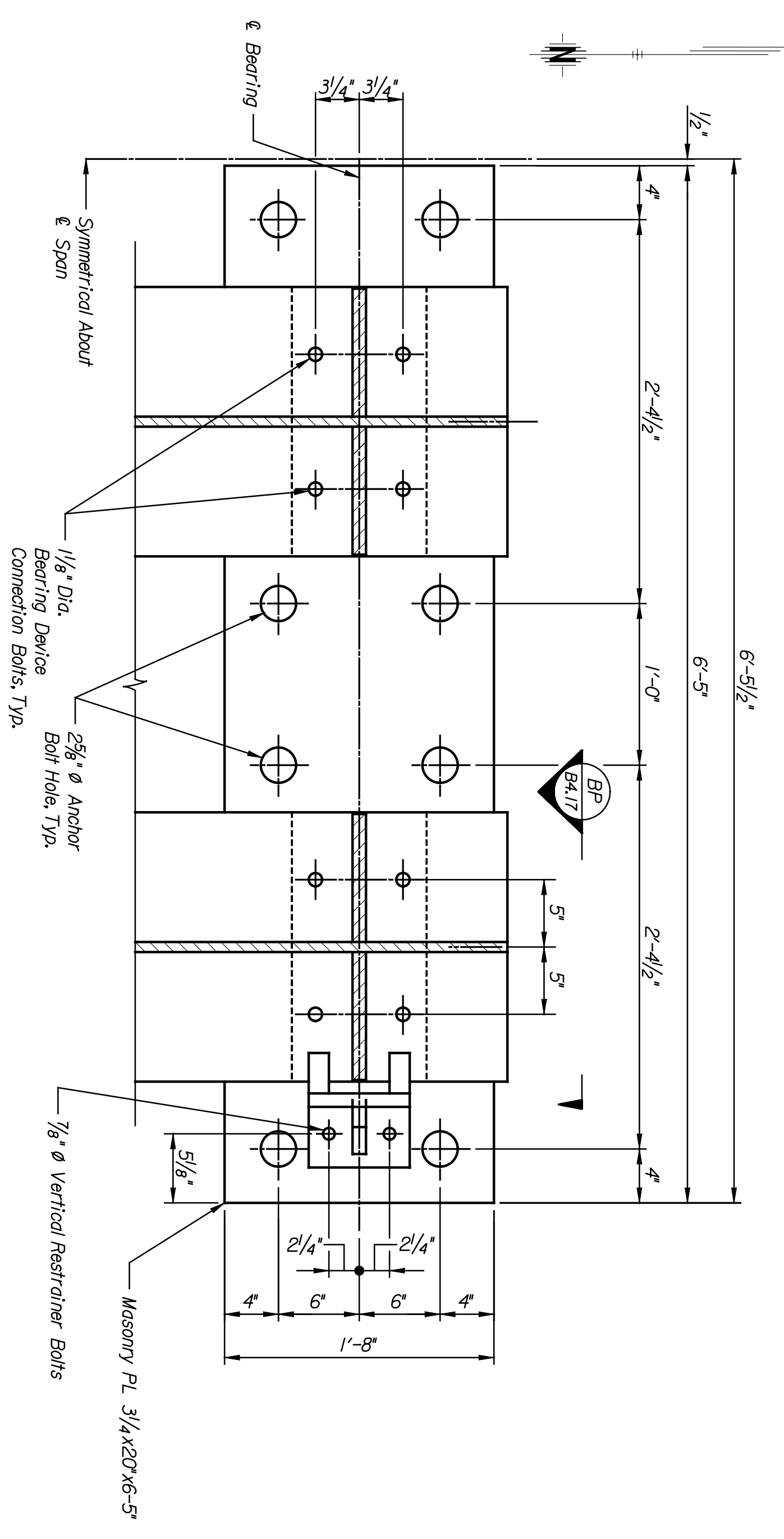
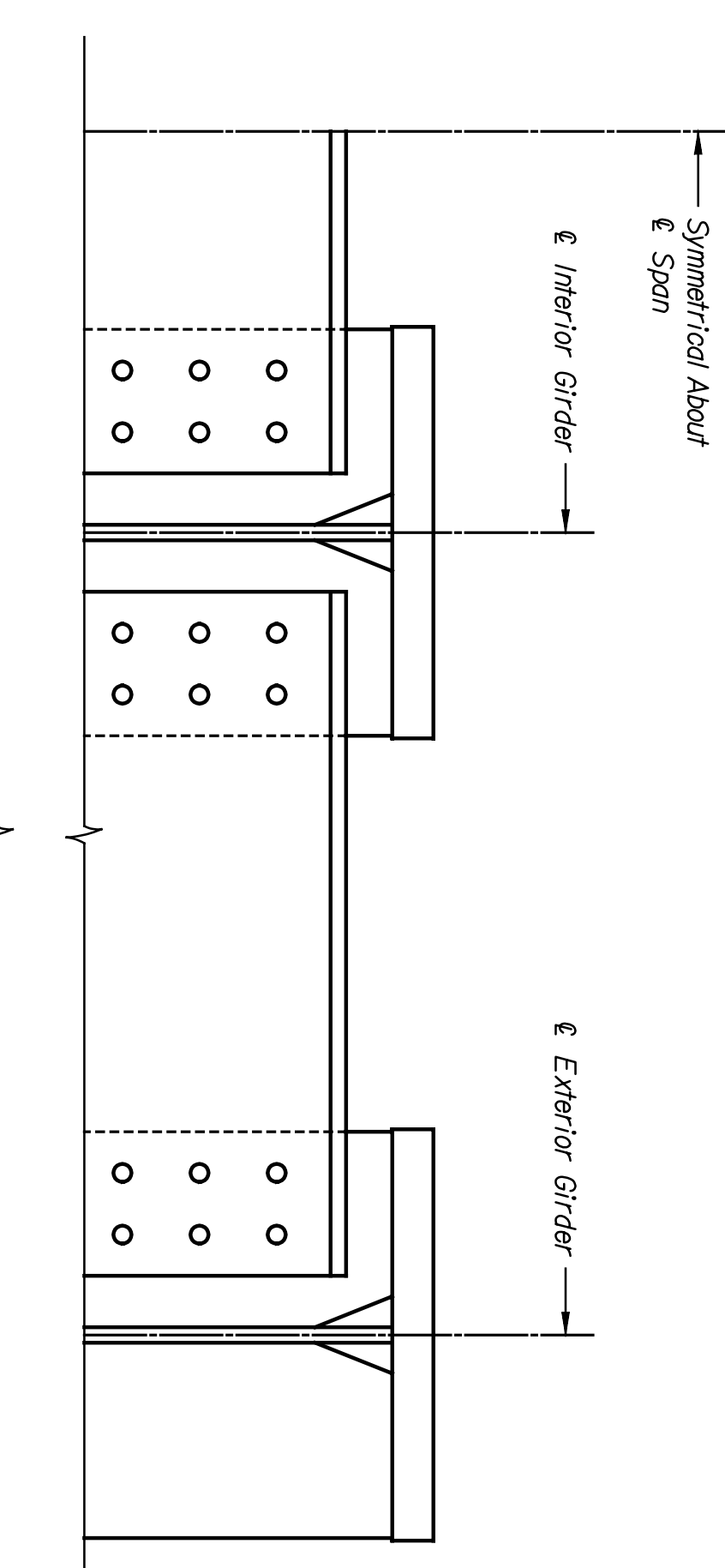


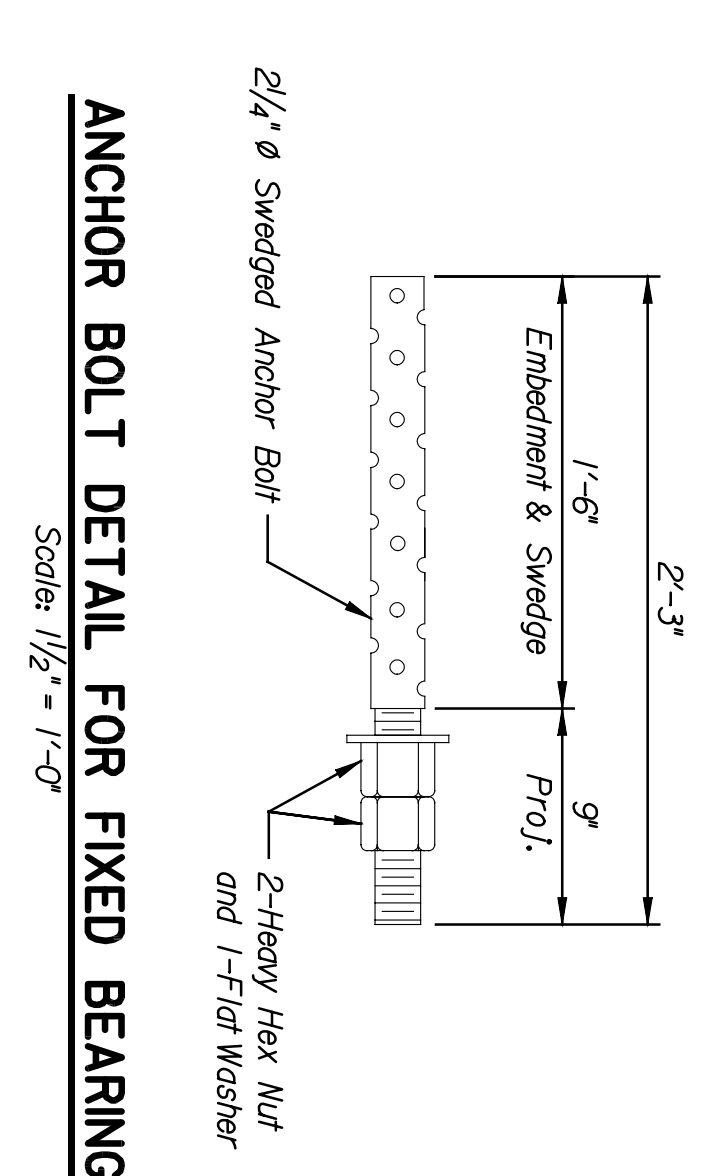
BY	DATE



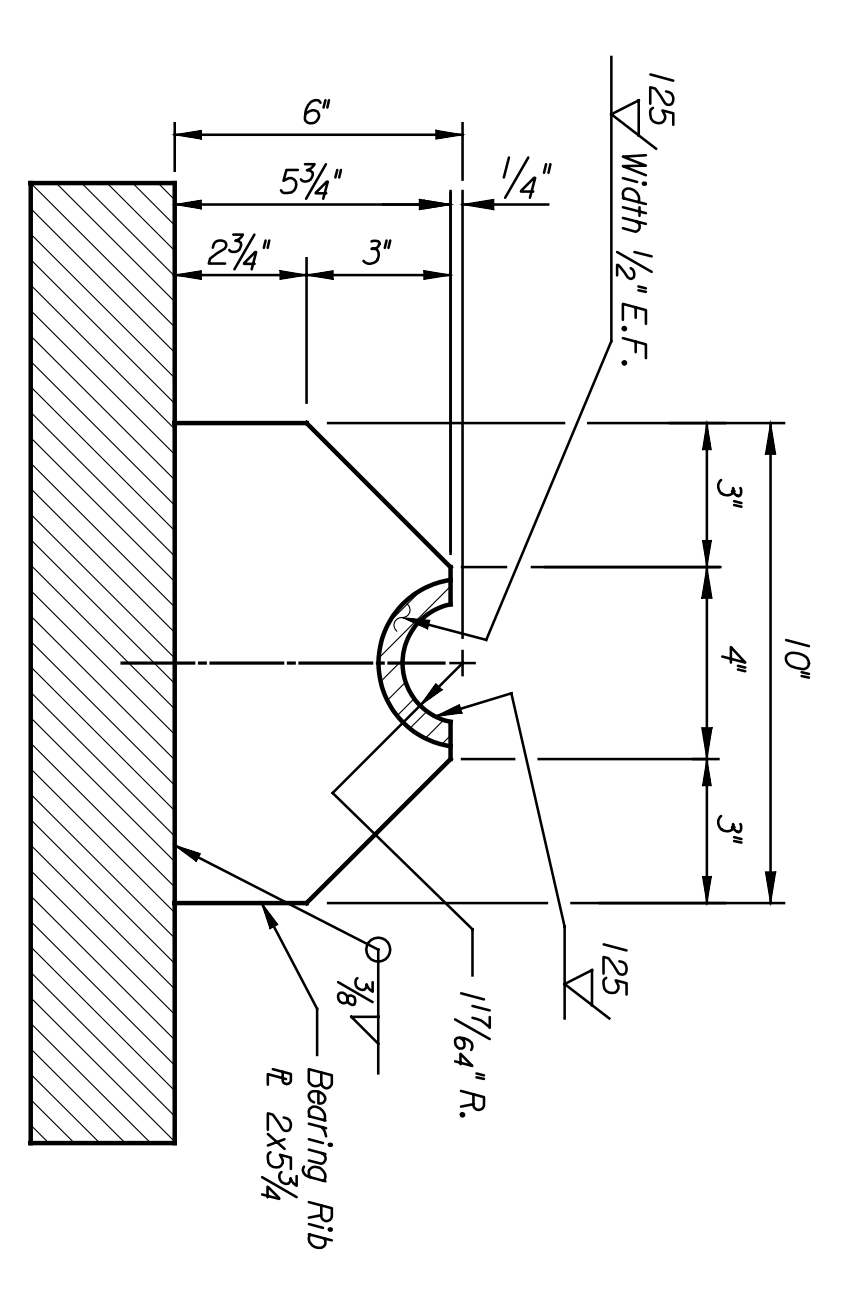
FIXED BEARING PLAN
 Scale: 1/2" = 1'-0"



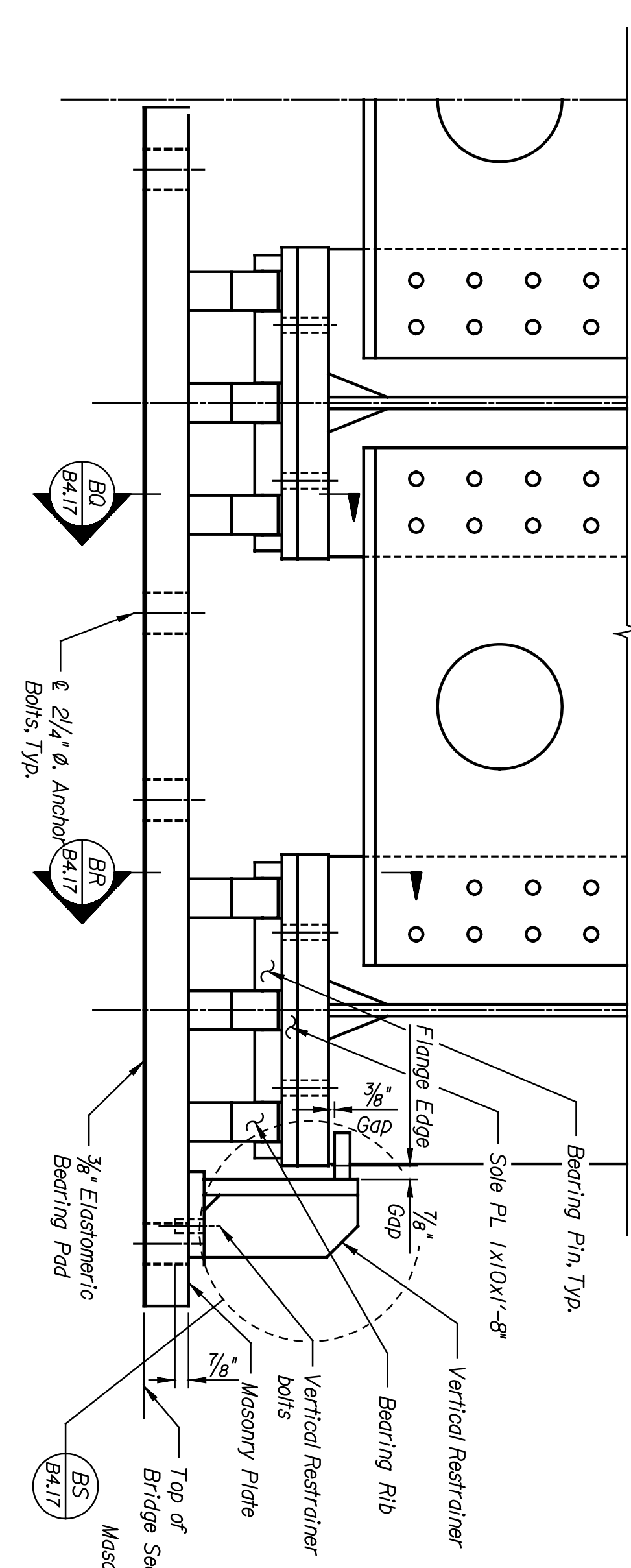
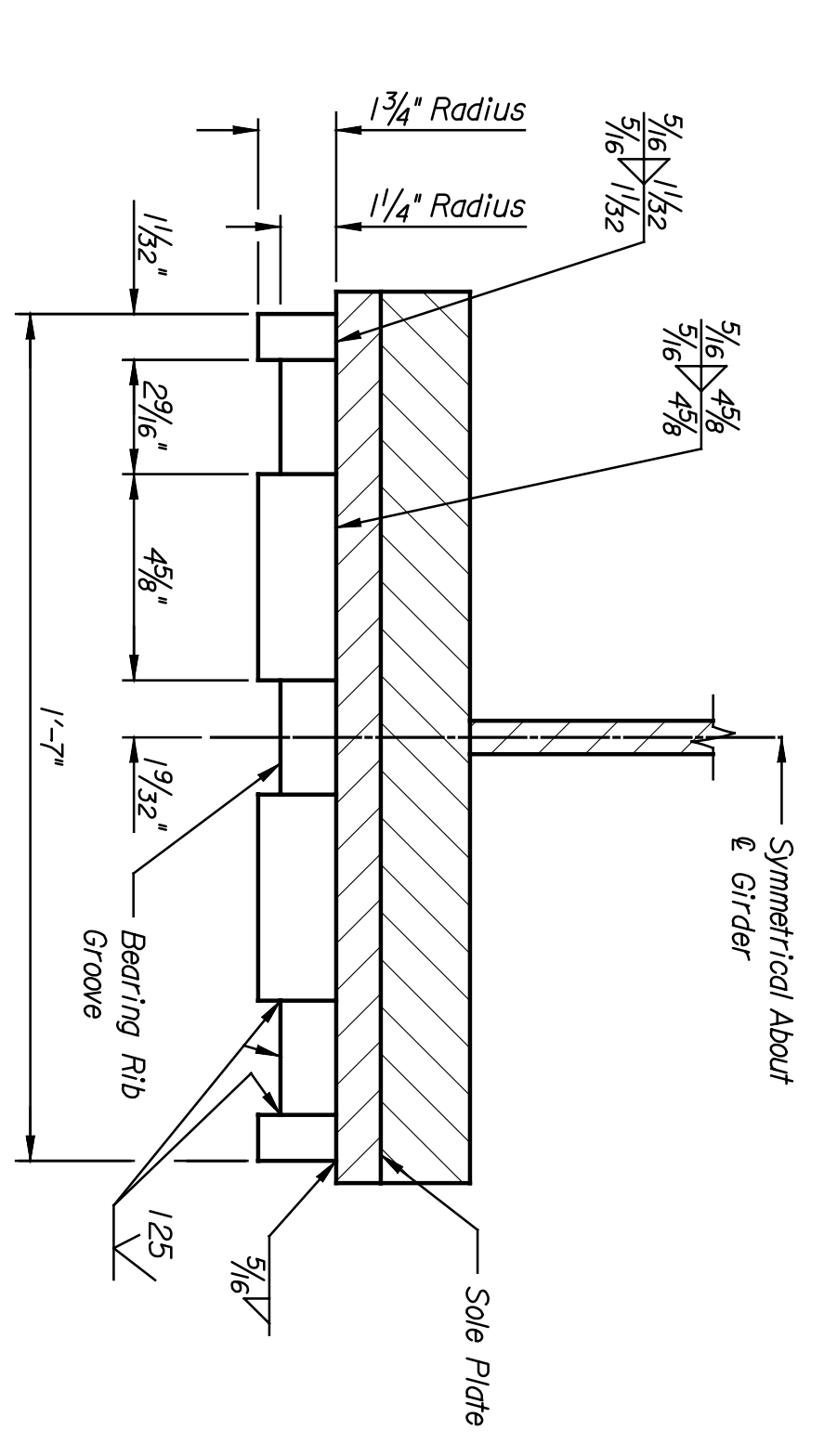
DETAIL BQ
 Scale: 3" = 1'-0"



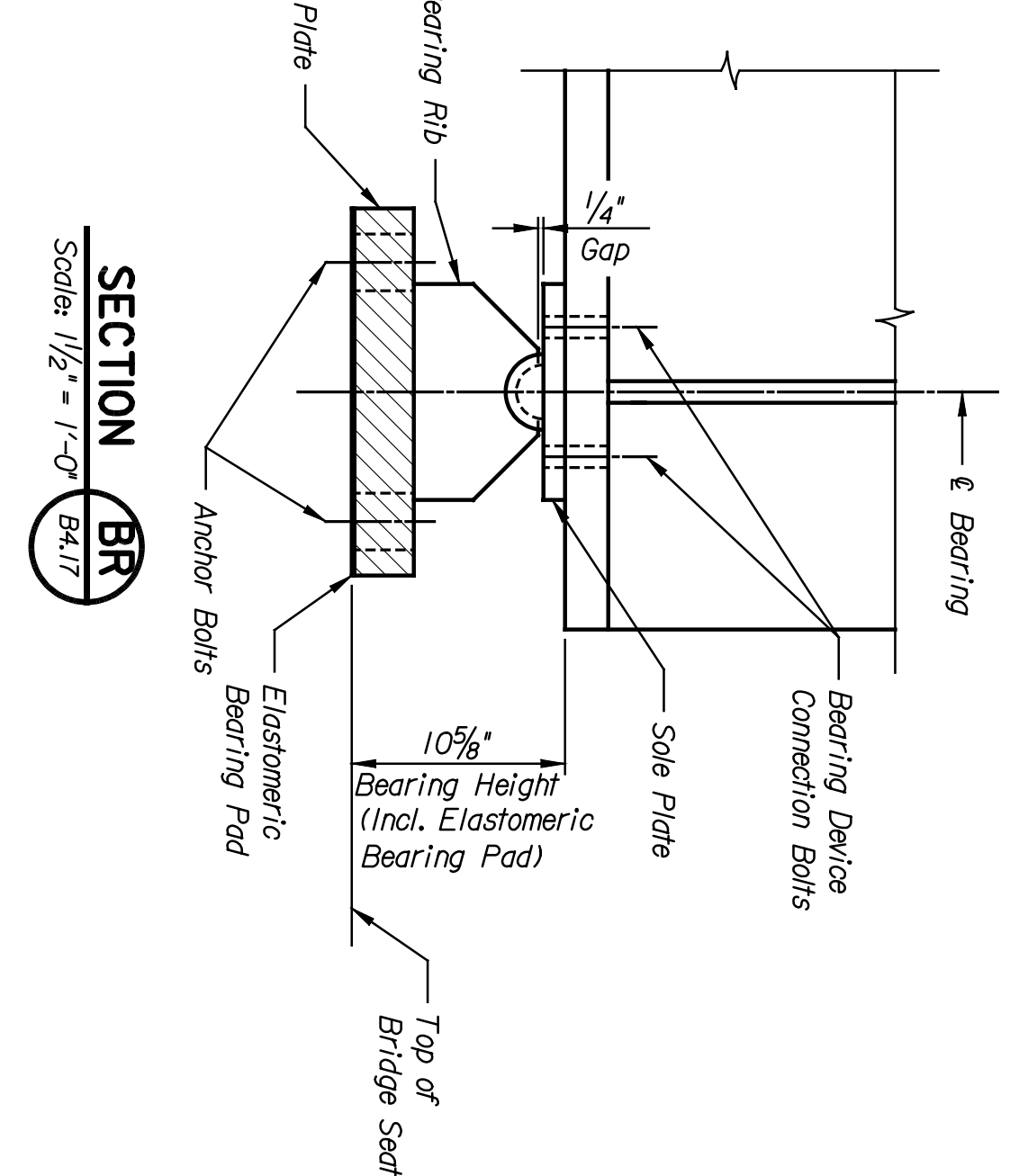
ANCHOR BOLT DETAIL FOR FIXED BEARINGS
 Scale: 1/2" = 1'-0"



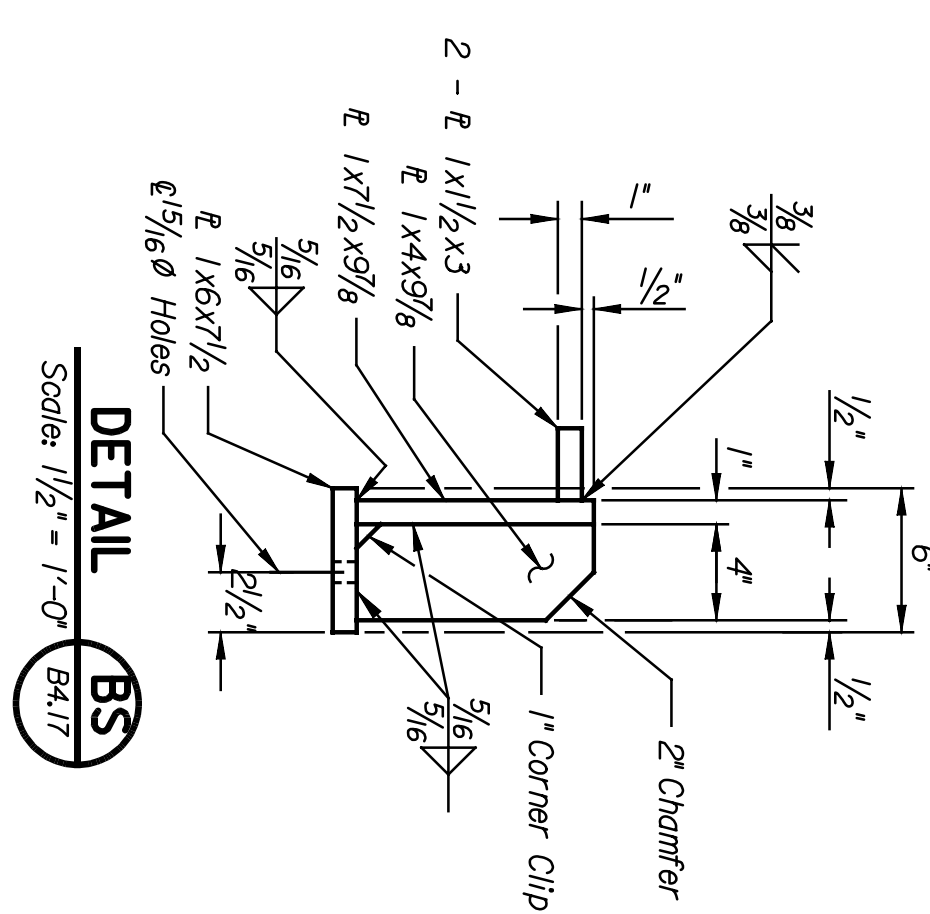
DETAIL BP
 Scale: 3" = 1'-0"



FIXED BEARING ELEVATION
 Scale: 1/2" = 1'-0"



SECTION BR
 Scale: 1/2" = 1'-0"



DETAIL BS
 Scale: 1/2" = 1'-0"

CNTB
 ARCHITECTS ENGINEERS PLANNERS

This sheet designed by:

STATE	PROJECT NO.	YEAR	SHEET NO.	TOTAL SHEETS
KANSAS	472-84071	2005	BA.17	

NOTES:
 Refer to Expansion Bearings for additional notes.

LOCATION:	WICHITA, KS
PROJECT:	WICHITA, KS
LINE SEGMENT:	7400

SHEET NO.	05	SCALE AS NOTED	APP'D.
DESIGNED	END	DETAILED	ELV
DESIGN GR.	DWH	DETAIL GR.	EDT
TRACED	DJI	TRACED	DWH

CITY OF WICHITA	
CENTRAL CORRIDOR	
FIXED BEARING DEVICE DETAILS	
NO.	REVISIONS
1	
2	
3	