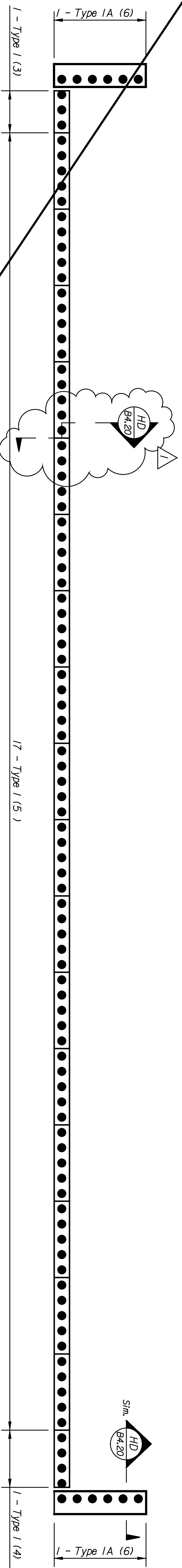


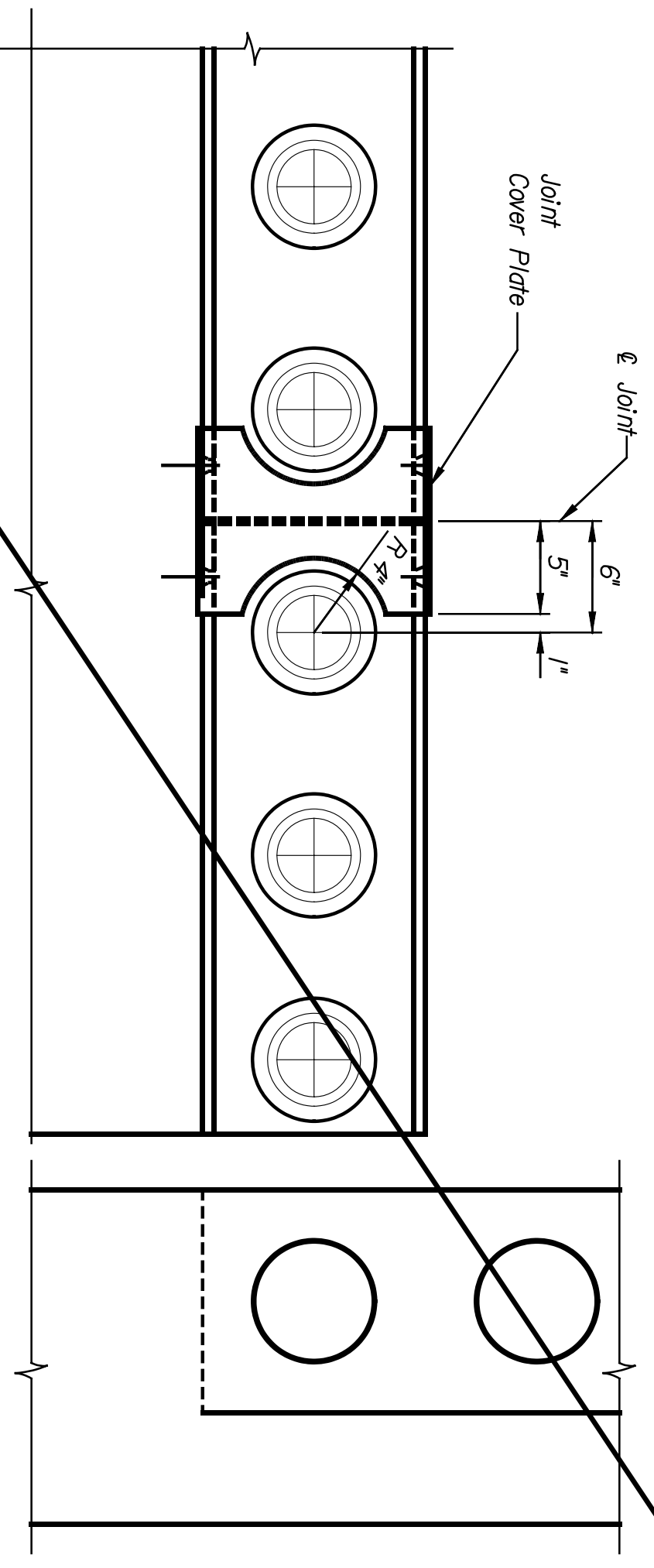
BY	DATE

Plotted on: 04-JAN-2005 13:14 *time\$
 dJamison Plot Queue: #queue\$
 Plot Scale: #scale\$ Pen Table: #pentables
 Design Filename: k:\b29049\brldgesDec2004\Base Bld\Central\drawings\C2L.dgn.

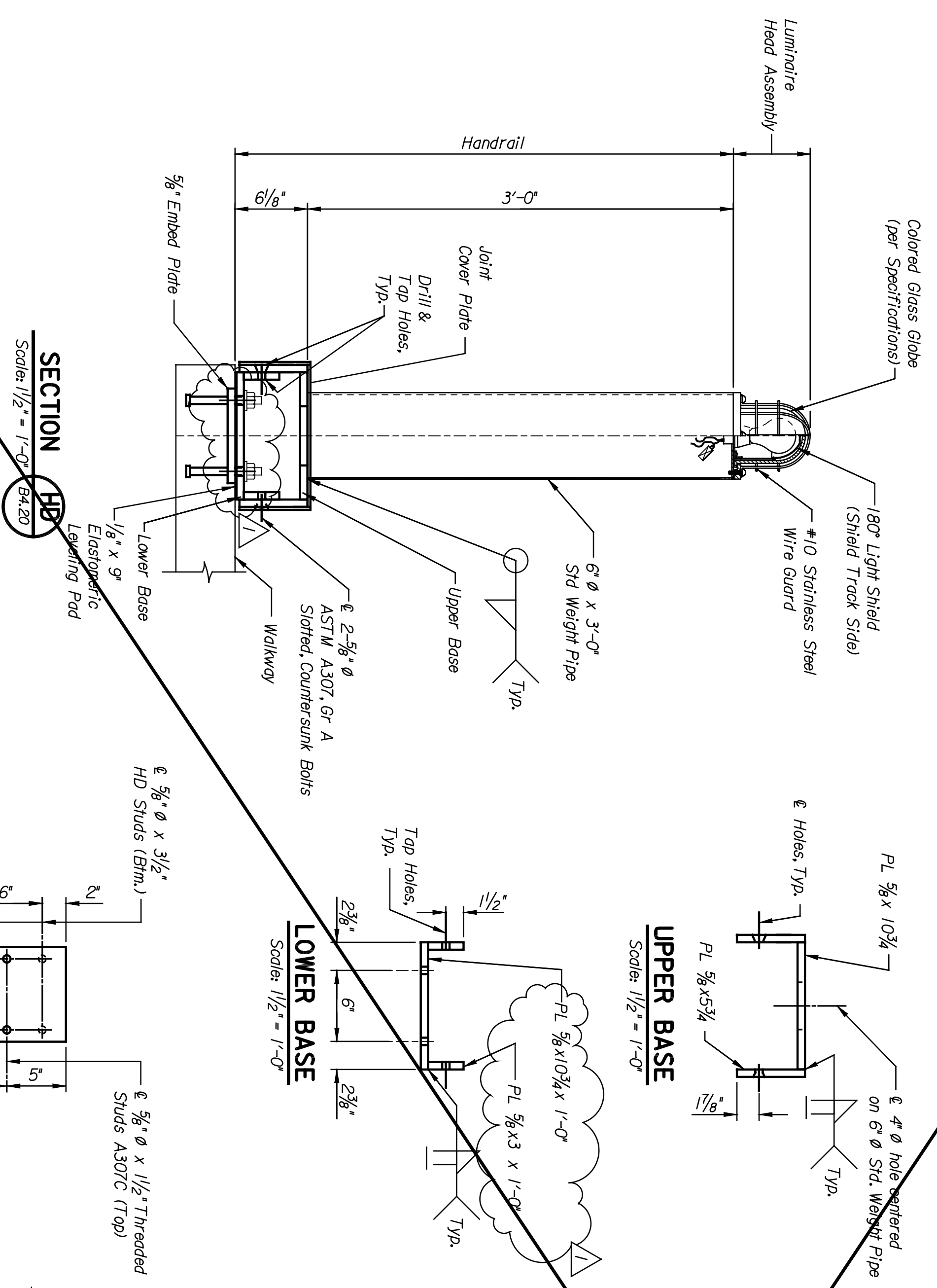


Notes:
 West Handrail Shown,
 East Handrail Similar.

HANDRAIL LAYOUT
 Scale: 1/4" = 1'-0"

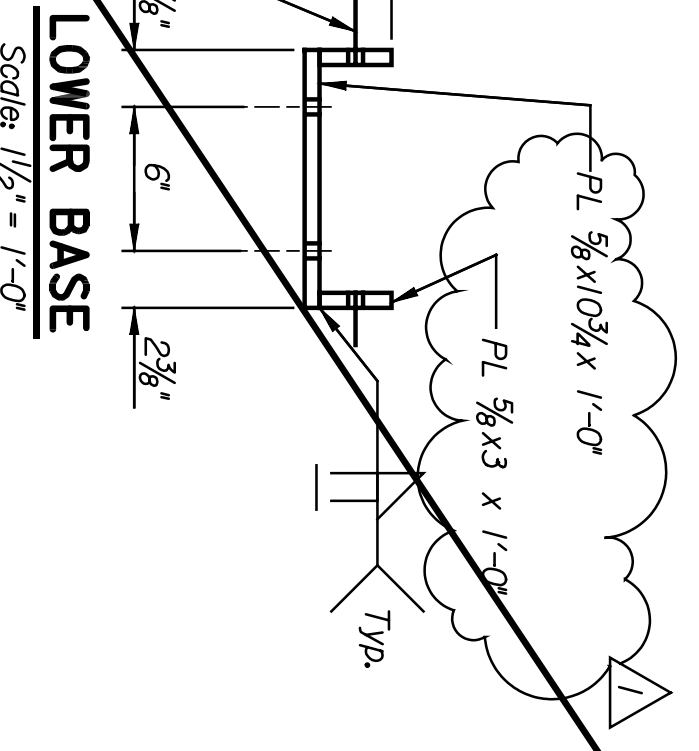


PLAN
 Scale: 1/2" = 1'-0"

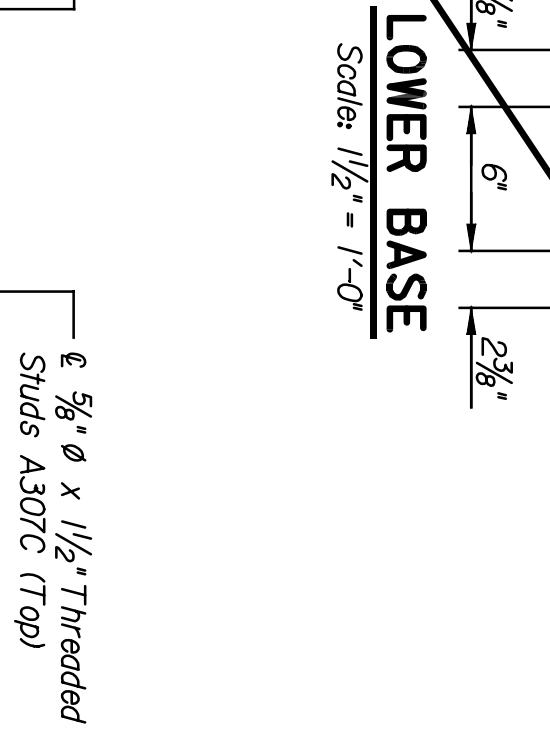


SECTION HD
 Scale: 1/2" = 1'-0"

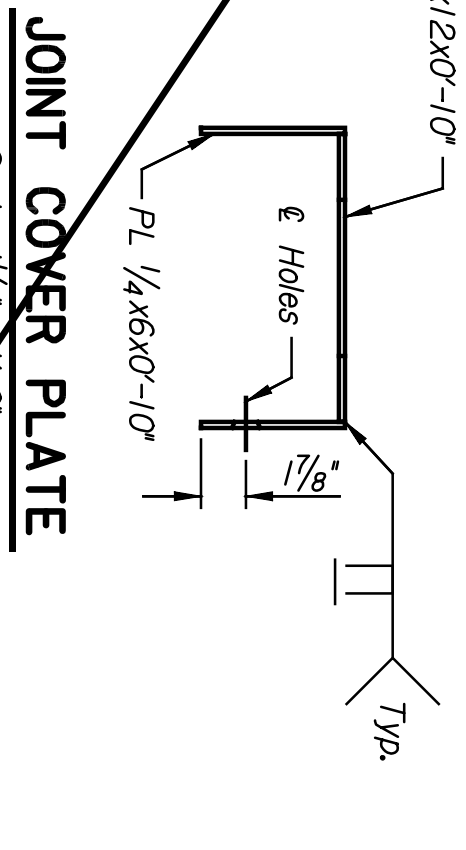
UPPER BASE
 Scale: 1/2" = 1'-0"



LOWER BASE
 Scale: 1/2" = 1'-0"



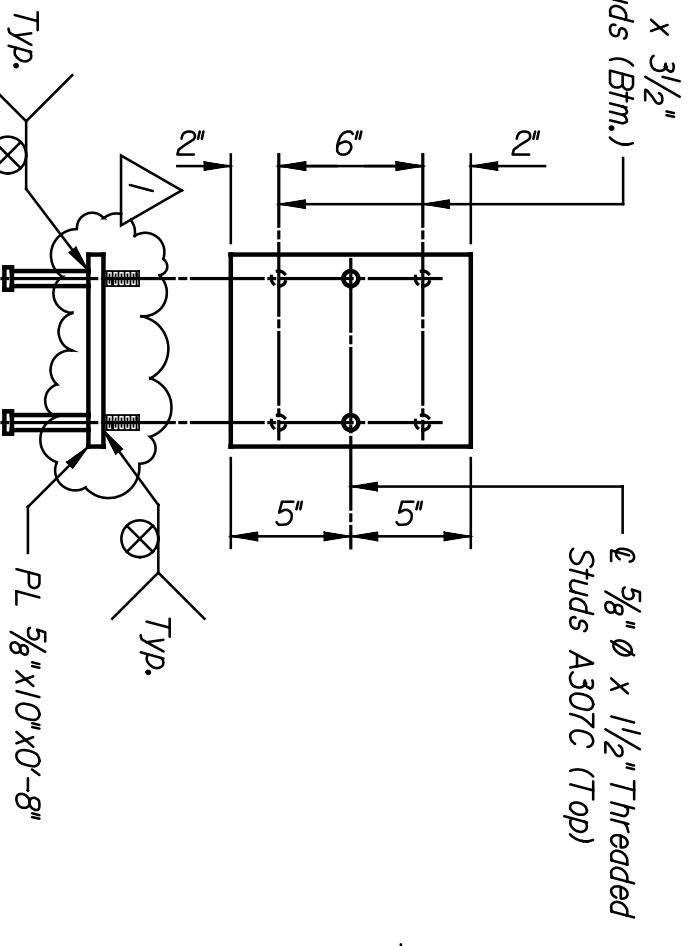
JOINT COVER PLATE
 Scale: 1/2" = 1'-0"



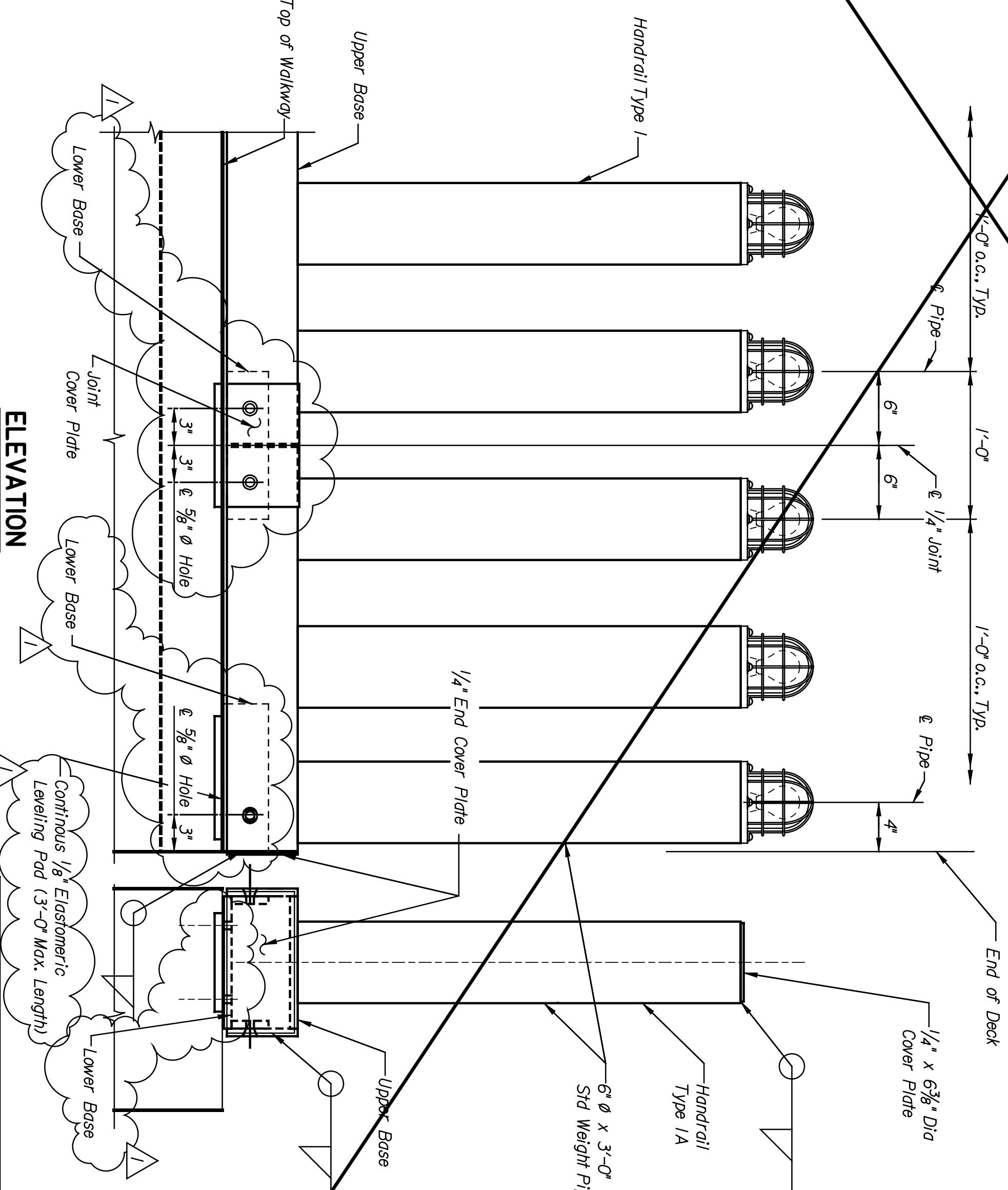
CH2PB
 ARCHITECTS ENGINEERS PLANNERS

This sheet designed by:

EMBED PLATE DETAIL
 Scale: 1/2" = 1'-0"



ELEVATION
 Scale: 1/2" = 1'-0"



STATE	PROJECT NO.	YEAR	SHEET NO.	TOTAL SHEETS
KANSAS	472-84071	2005	B4.20	

NOTES:
 All structural steel conform to ASTM A709, Grade 36 or better.
 All pipe shall conform to ASTM A53, Gr. B.
 Each fastener shall be composed of a Heavy Hex Structural Bolt, ASTM A325 Type 1, each with one circular Hardened Washer, ASTM F436 Type 1; and one Heavy Hex Nut, ASTM A563 Grade C, unless noted otherwise.
 All fasteners shall be 7/8" diameter, unless noted otherwise.
 All fastener holes will be 1/16" larger than the nominal fastener diameter, unless tapped or noted otherwise.
 All washers shall be located under the turned element.
 Welding shall conform to the AREMA Manual for Railway Engineering and the Bridge Welding Code, AWS D1.5M/D1.5.
 All weld metal shall be equivalent to the base metal in strength, corrosion resistance and painted appearance.
 The steel surface preparation for paint shall be in accordance with SSPC-10, "Near-White Blast Clean" and the specifications.
 Each panel shall be fully shop assembled to assure an accurate fit.
 One prime coat of inorganic zinc silicate paint, with a minimum dry film thickness of 3.0 mils and a maximum dry film thickness of 5.0 mils, shall be applied in accordance with the specifications.
 One top coat of water-borne acrylic or hi-build polyurethane paint, with a minimum dry film thickness of 3.0 mils and a maximum dry film thickness of 4.0 mils, shall be applied in accordance with the specifications.
 The top coat of paint (semi-gloss white) shall be color-matched to the color of the steel girders.
 Prior to painting, submit demonstration panels to the Engineer for approval of the color.
 The steel surface preparation and the prime coat of paint shall be applied at the fabrication shop.
 Components in contact shall receive one prime coat on each surface. The top coat of paint shall be applied in the field after erection and assembly.
 Each handrail shall be fully shop assembled to ensure proper fit.
 Each handrail may be disassembled for shipping and final erection.
 The Luminaire Head Assembly shall be in accordance with the specifications and Electrical Drawings.
 Coordinate electrical/routing requirements prior to fabrication.

SHEET NO.		OF	SCALE AS NOTED	APP'D.	DATE	DESIGNED BY	CHK'D BY	DATE	DESIGN GR.	CM'S
1		2	9/04	MODIFY EMBEDS	JWH					
2		3		REVISIONS						
3										

CITY OF WICHITA
WICHITA CENTRAL CORRIDOR
 CENTRAL
 BRIDGE HANDRAIL (TYPE I/IA)

LOCATION:	LINE SEGMENT
RMSF BR. 2118	7400
WICHITA, KS	