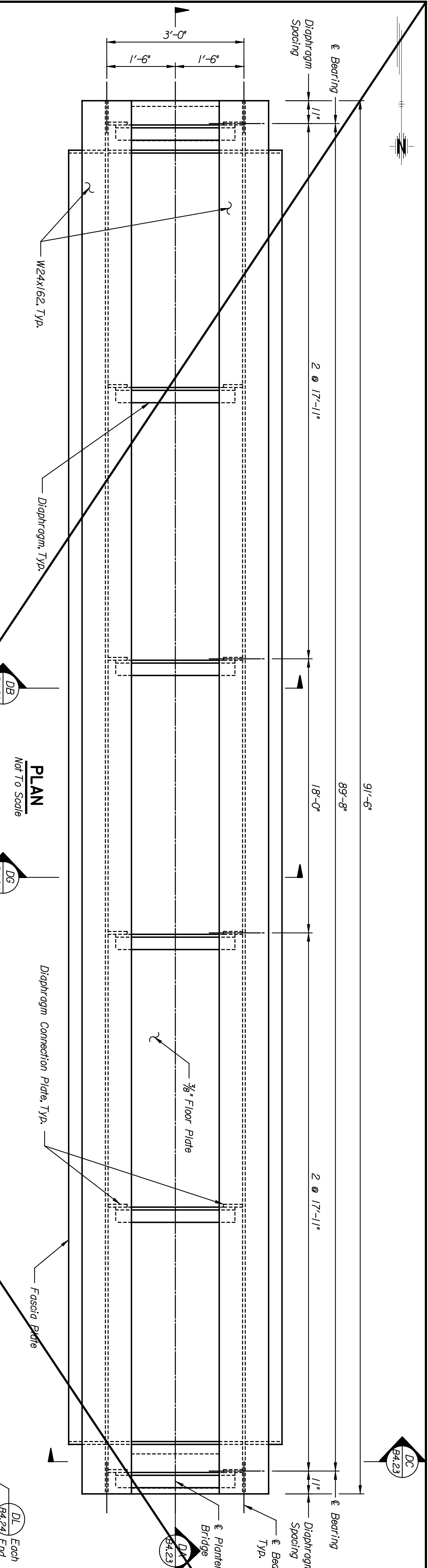


BY	DATE

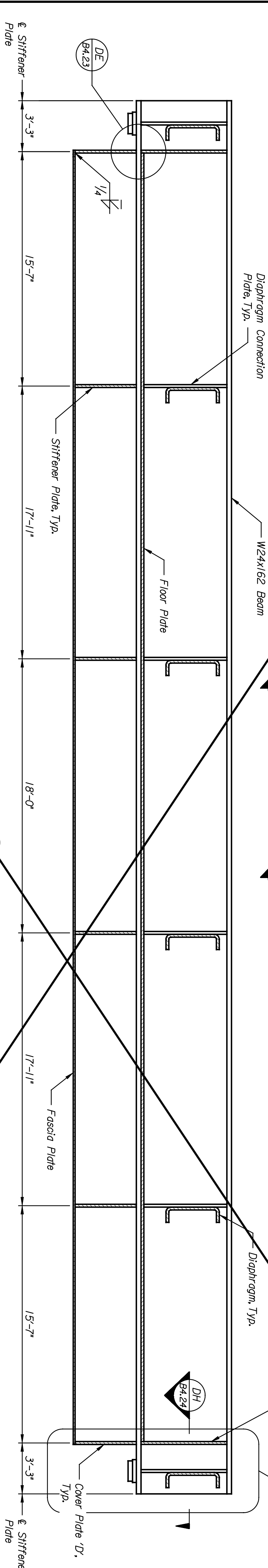
Plotted on: 04-JAN-2005 13:14 \*time\$  
 djmlson Plot Queue: #queue\$  
 Plot Scale: #scale\$ Pen Table: #pentables  
 Design Filename: k:\b29049\bridgesDec2004\Bose Bld\Central\Drawings\03a.dgn



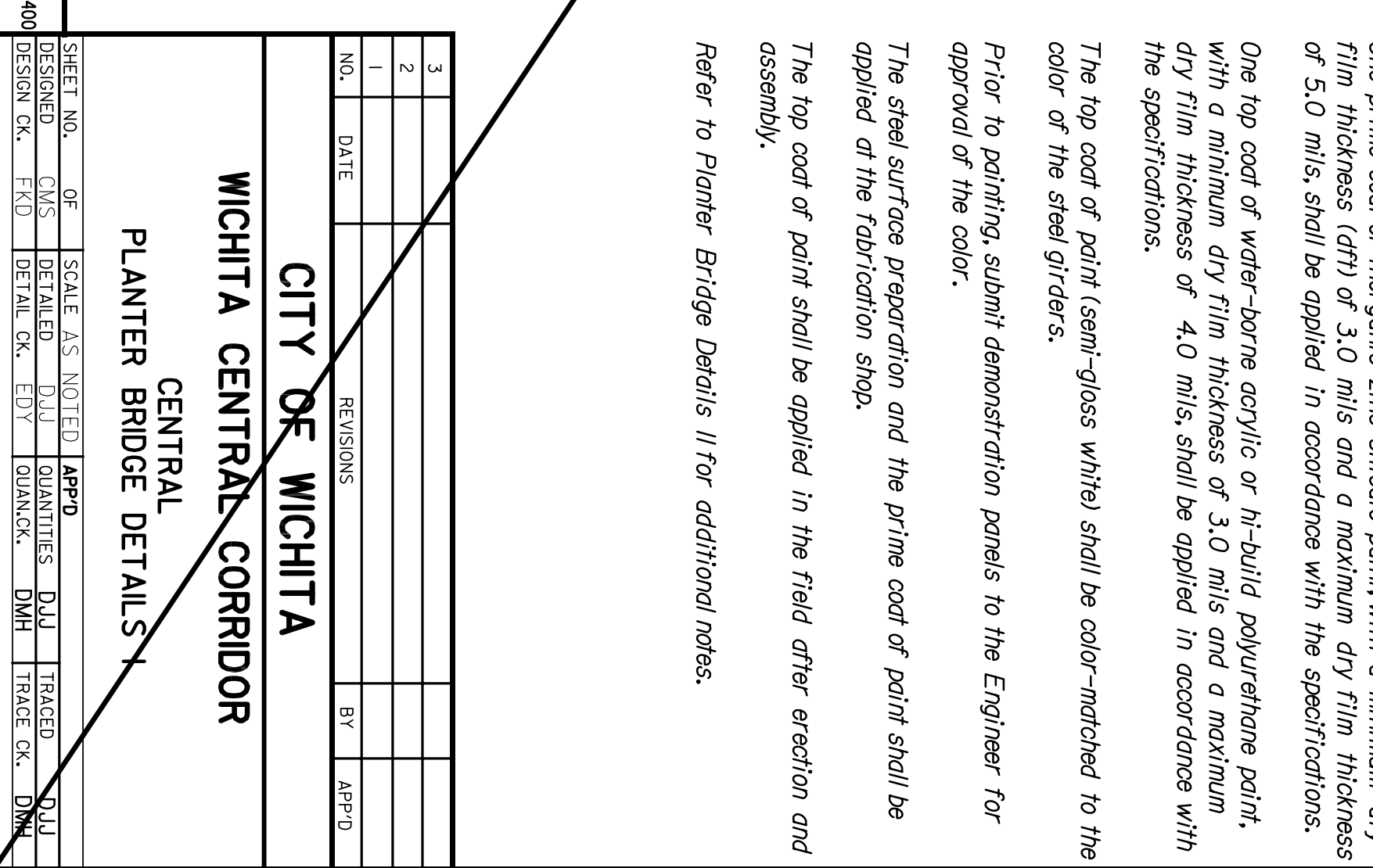
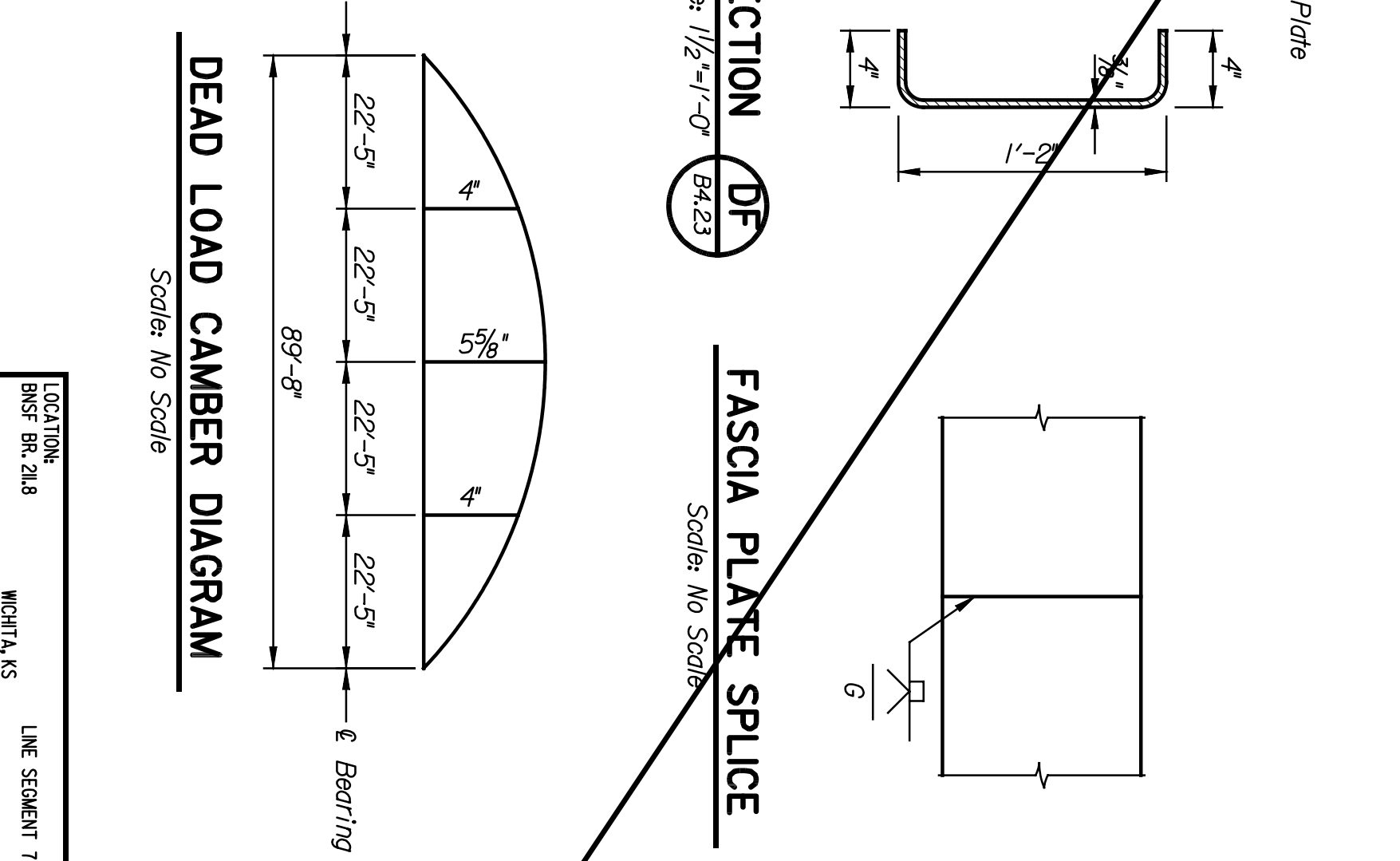
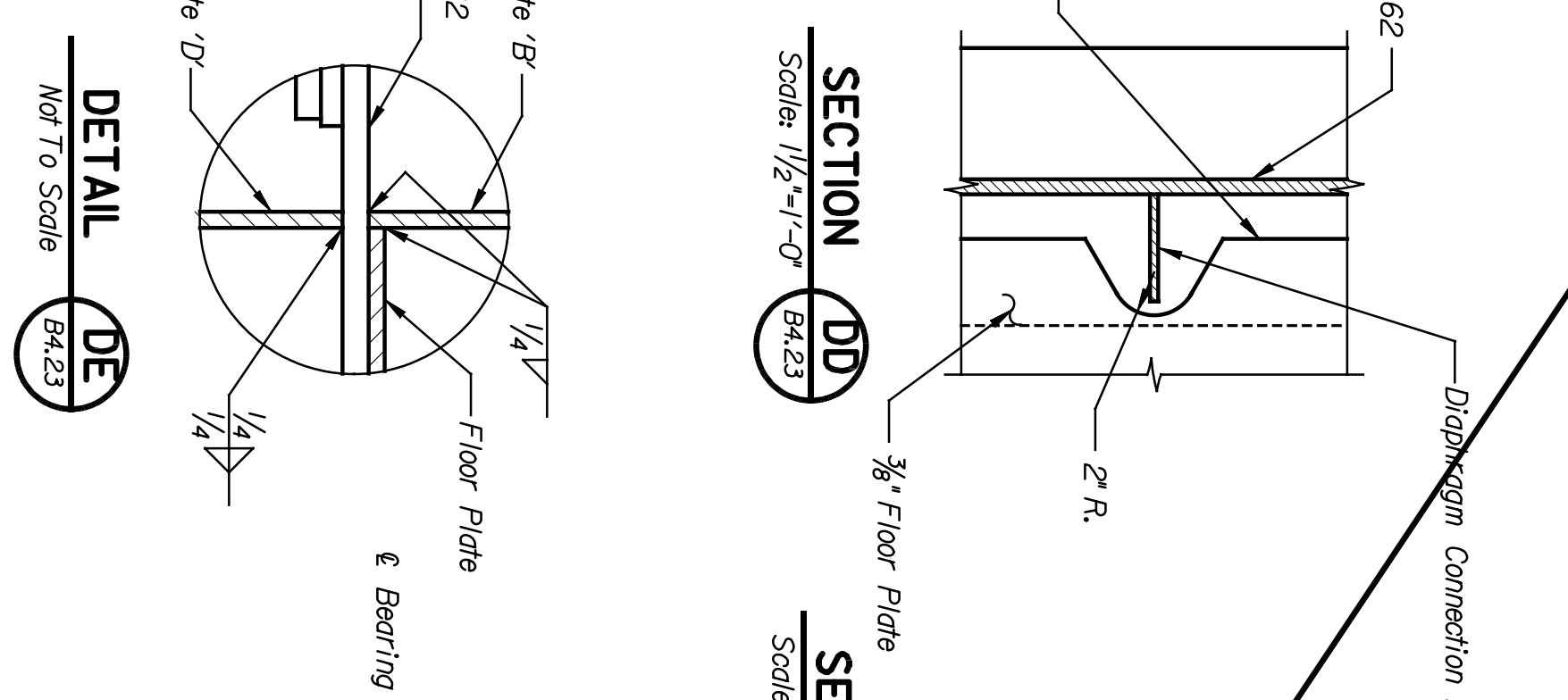
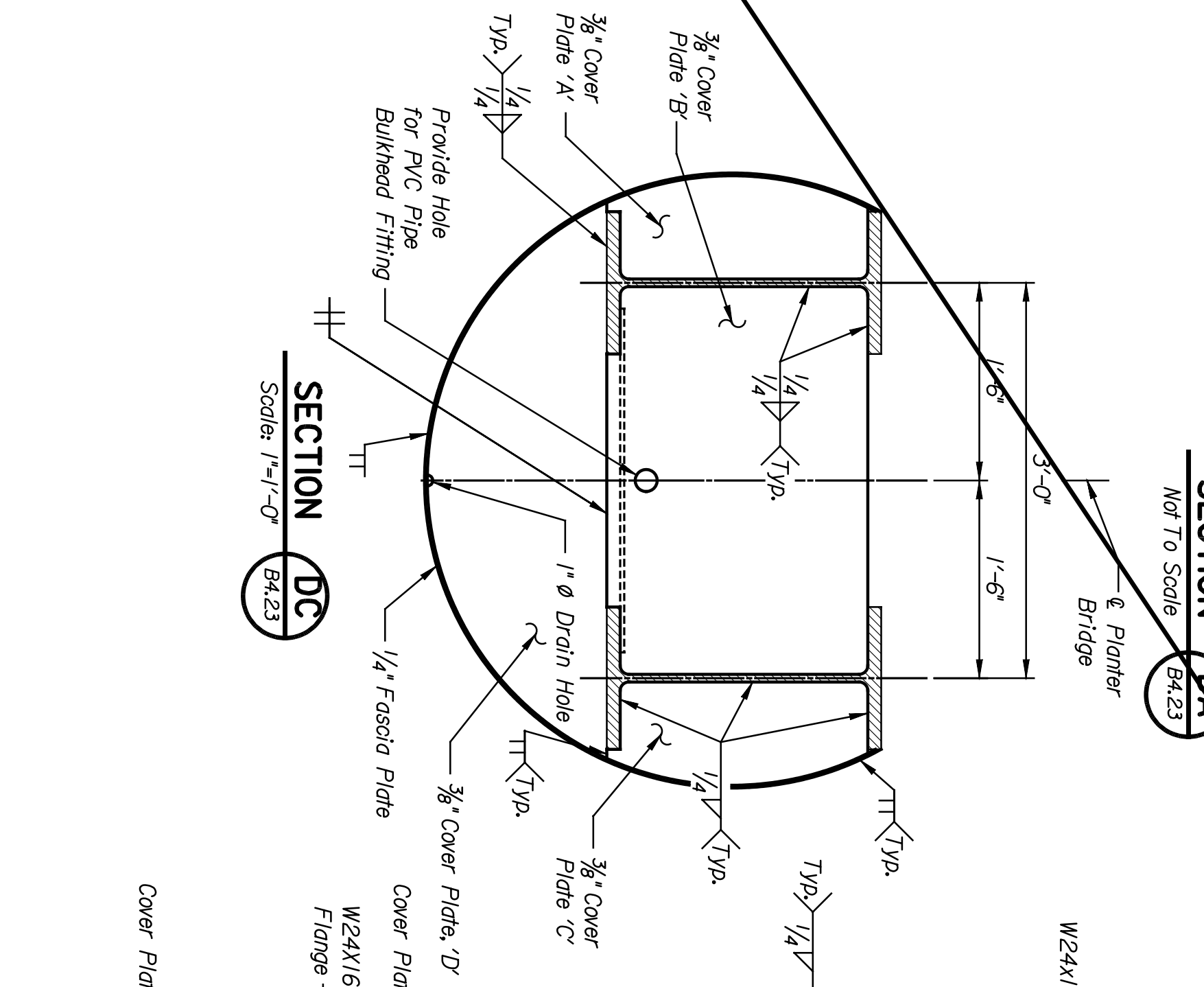
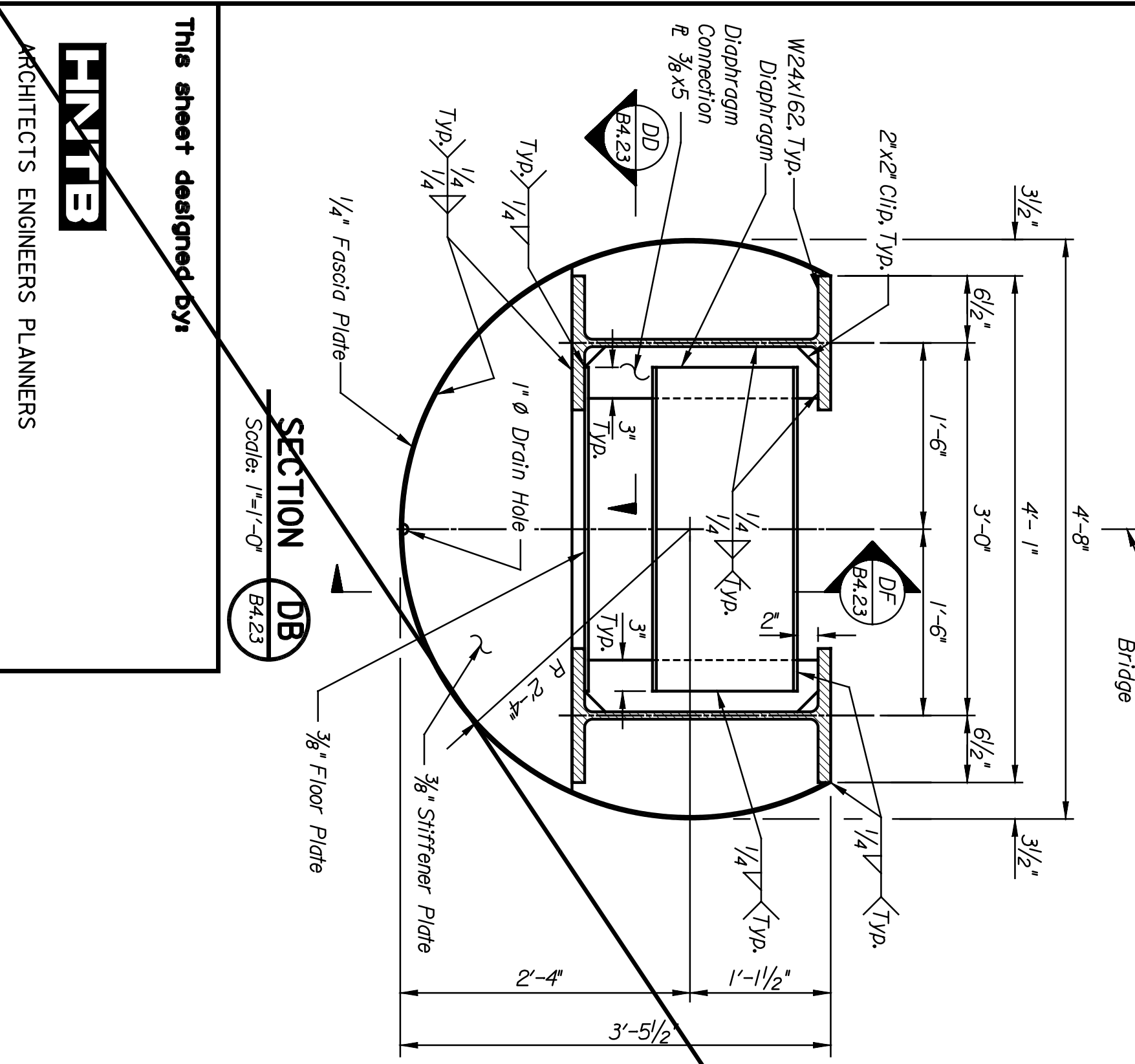
**NOTES:**  
 PLANTER BRIDGE DESIGN SPECIFICATIONS:  
 Standard Specifications for Structural Supports for Highways  
 Signs, Luminaires and Traffic Signals, 4th Edition with Interims  
 through 2002, American Association of State Highway and  
 Transportation Officials, 2002.

**PLANTER BRIDGE DESIGN LOADS:**  
 Dead Load: 150 psf  
 Unit Weight of Concrete, 150 psf  
 Unit Weight of Steel, 490 psf  
 Unit Weight of Planter Mix Soil, 120 psf  
 Live Load: None  
 Ice: 3.0 psf  
 Seismic: Site Coefficient, 1.0  
 Temperature: Design Temperature, 60 degrees F  
 Design Temperature Range, 50 degrees F  
 Rise/Fall, 50 degrees F  
 Minimum Service Temperature Zone, Zone 2  
 Other Loads: As specified in AASHTO.

All structural steel shall conform to ASTM A709, Grade SOT2, unless noted otherwise.  
 Welding shall conform to the Bridge Welding Code, AWS D1.5M/D1.5.  
 All weld metal shall be equivalent to the base metal in strength, corrosion resistance and painted appearance.  
 All flange to web welding shall be made with the SAW process.  
 The planter bridge shall be cambered for dead load.  
 The steel surface preparation for paint & waterproofing shall be in accordance with SSPC-10, "Near-White Blast Clean" and the specifications.  
 The top coat of paint shall be applied to all exterior surfaces.  
 The prime coat of paint shall be applied to all surfaces, except those surfaces adjacent to the planter mix.



The top coat of paint shall be applied to all exterior surfaces.  
 The prime coat of paint shall be applied to all surfaces, except those surfaces adjacent to the planter mix.  
 One prime coat of inorganic zinc silicate paint, with a minimum dry film thickness (dft) of 3.0 mils and a maximum dry film thickness of 5.0 mils, shall be applied in accordance with the specifications.  
 One top coat of water-borne acrylic or hi-build polyurethane paint, with a minimum dry film thickness of 3.0 mils and a maximum dry film thickness of 4.0 mils, shall be applied in accordance with the specifications.  
 The top coat of paint (semi-gloss white) shall be color-matched to the color of the steel gliders.  
 Prior to painting, submit demonstration panels to the Engineer for approval of the color.  
 The steel surface preparation and the prime coat of paint shall be applied at the fabrication shop.  
 The top coat of paint shall be applied in the field after erection and assembly.  
 Refer to Planter Bridge Details II for additional notes.



**REVISIONS**

NO.	DATE	BY	APPD.
1			
2			
3			

**CITY OF WICHITA**  
**WICHITA CENTRAL CORRIDOR**  
**PLANTER BRIDGE DETAILS I**

SHEET NO.	OF	SCALE AS NOTED	APPD.
DESIGNED	CMS	DETAILED	LDJ
DESIGN CK.	TKD	CHECKED	LDJ
DATE		QUANTITIES	DJM
		DRAWN	DJM
		TRACED	CG
		DATE	

LOCATION: RNSF BR 2118  
 WICHITA, KS  
 LINE SEGMENT 7400

**CH2M HILL**  
 ARCHITECTS ENGINEERS PLANNERS

This sheet designed by:

SECTION DB (Scale: 1"=1'-0")

SECTION DA (Not To Scale)

SECTION DD (Scale: 1/2"=1'-0")

SECTION DF (Scale: 1/2"=1'-0")

DETAIL DE (Not To Scale)

DEAD LOAD CAMBER DIAGRAM

SECTION DB (Scale: 1"=1'-0")

SECTION DA (Not To Scale)

SECTION DD (Scale: 1/2"=1'-0")

SECTION DF (Scale: 1/2"=1'-0")

DETAIL DE (Not To Scale)

DEAD LOAD CAMBER DIAGRAM

SECTION DB (Scale: 1"=1'-0")

SECTION DA (Not To Scale)

SECTION DD (Scale: 1/2"=1'-0")

SECTION DF (Scale: 1/2"=1'-0")

DETAIL DE (Not To Scale)

DEAD LOAD CAMBER DIAGRAM