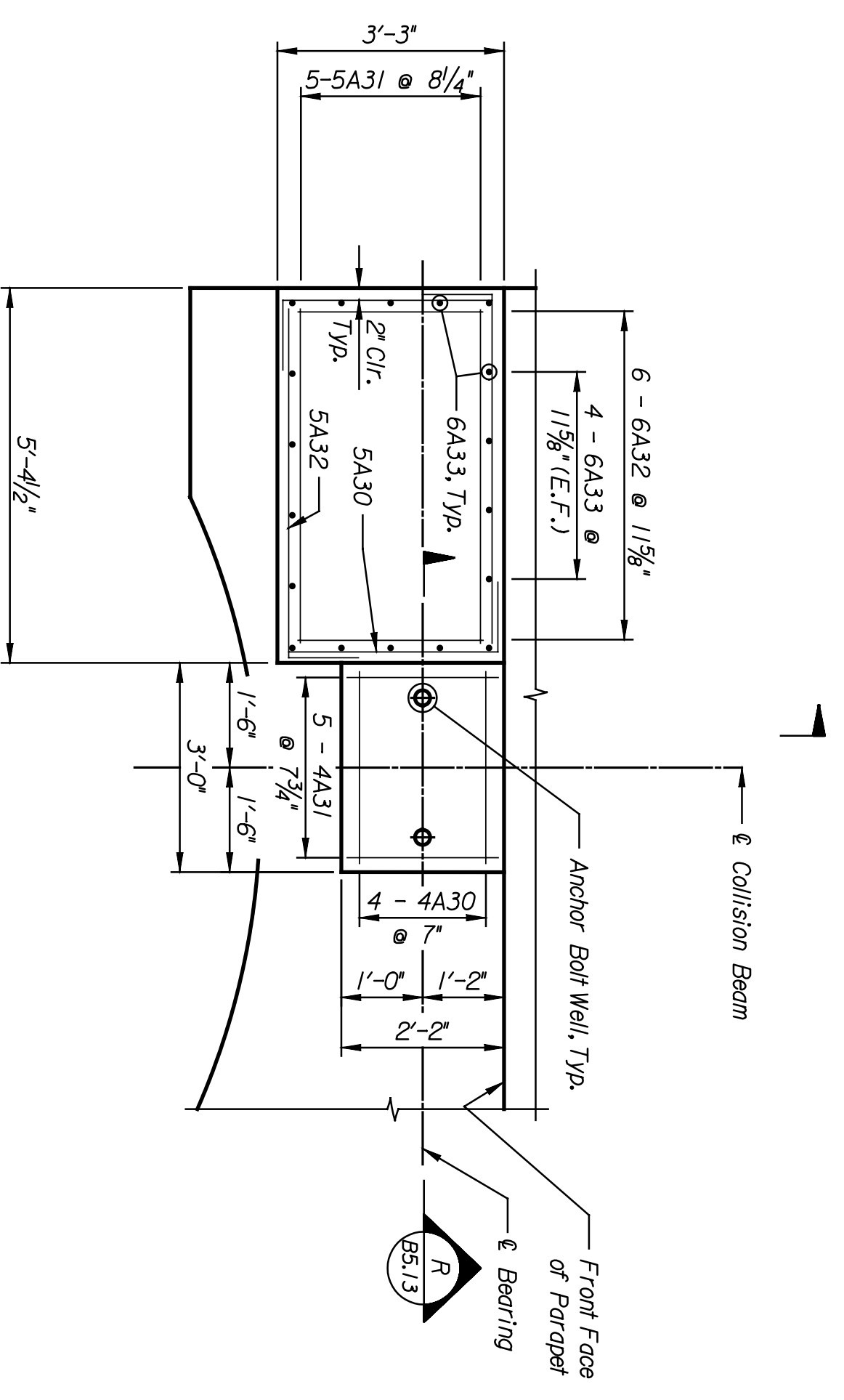
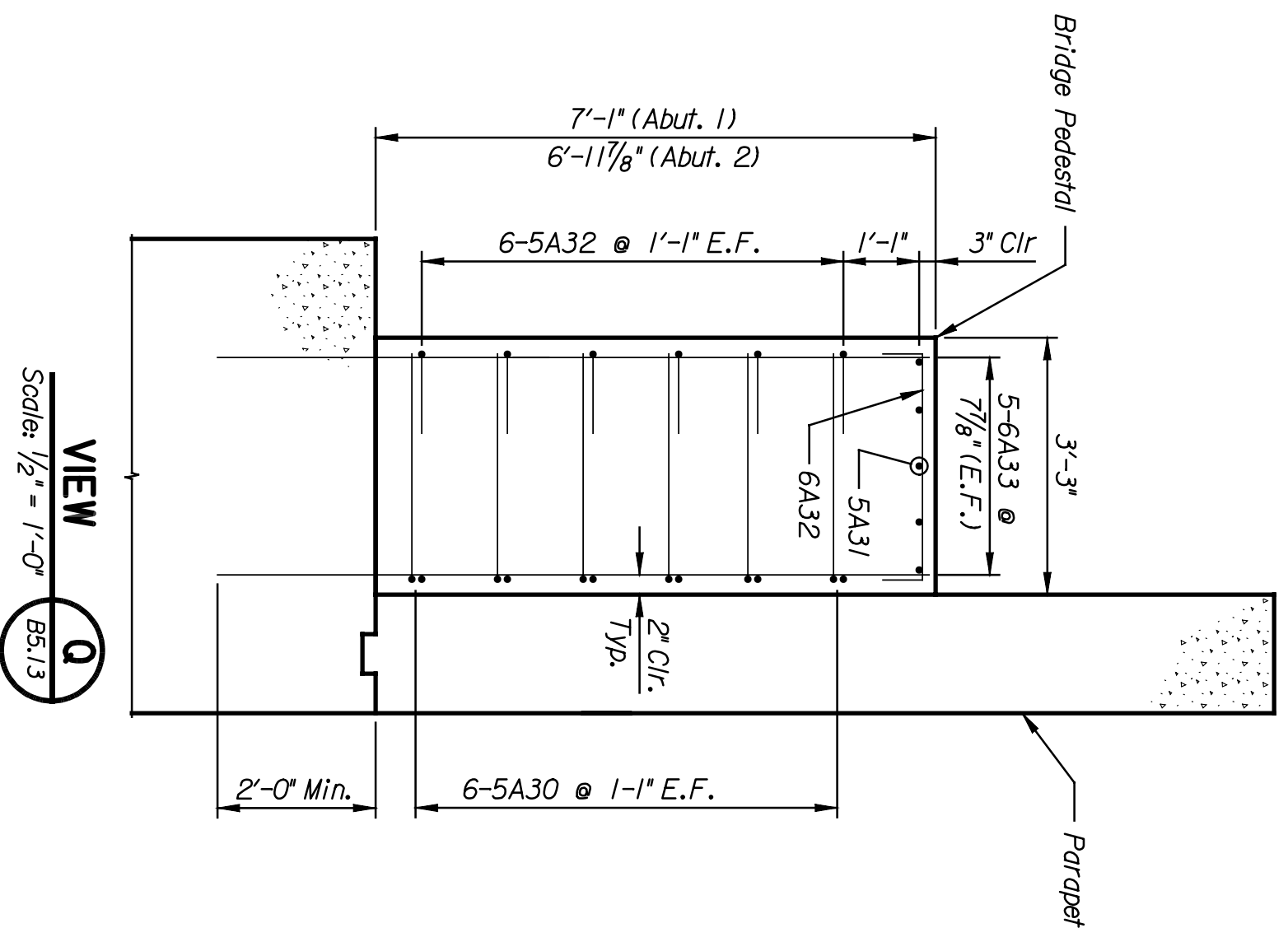


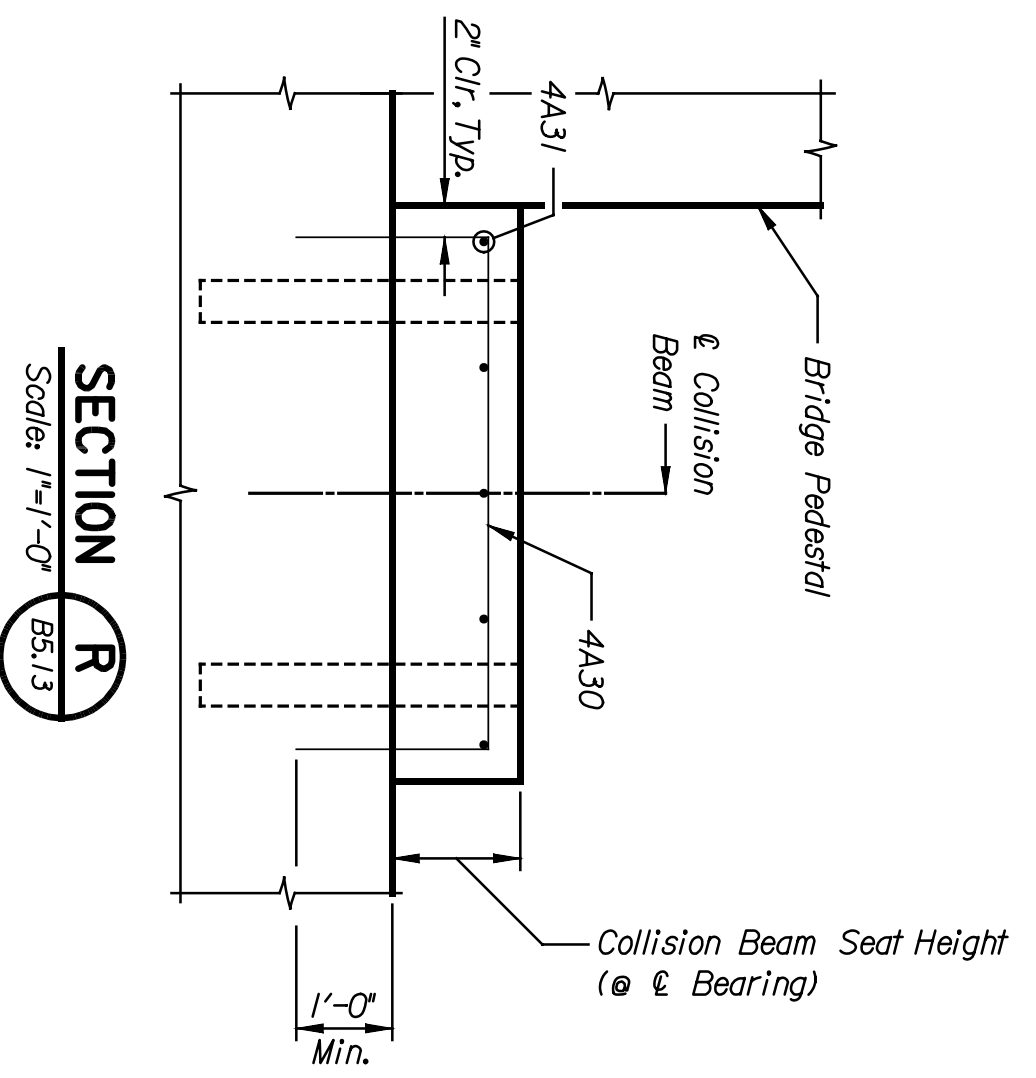
BY	DATE



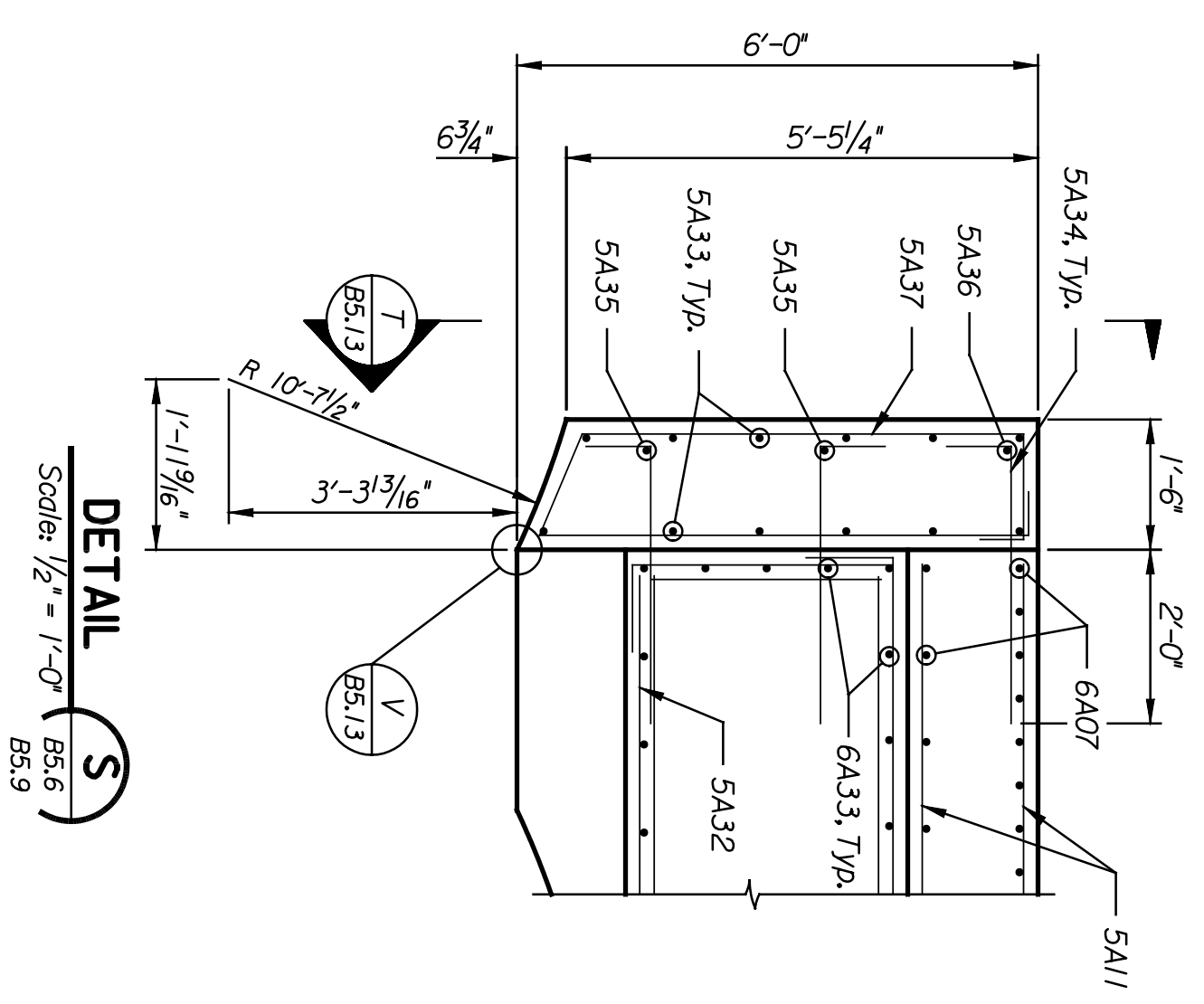
DETAIL C
 Scale: 1/2" = 1'-0"
 BS.6
 BS.9



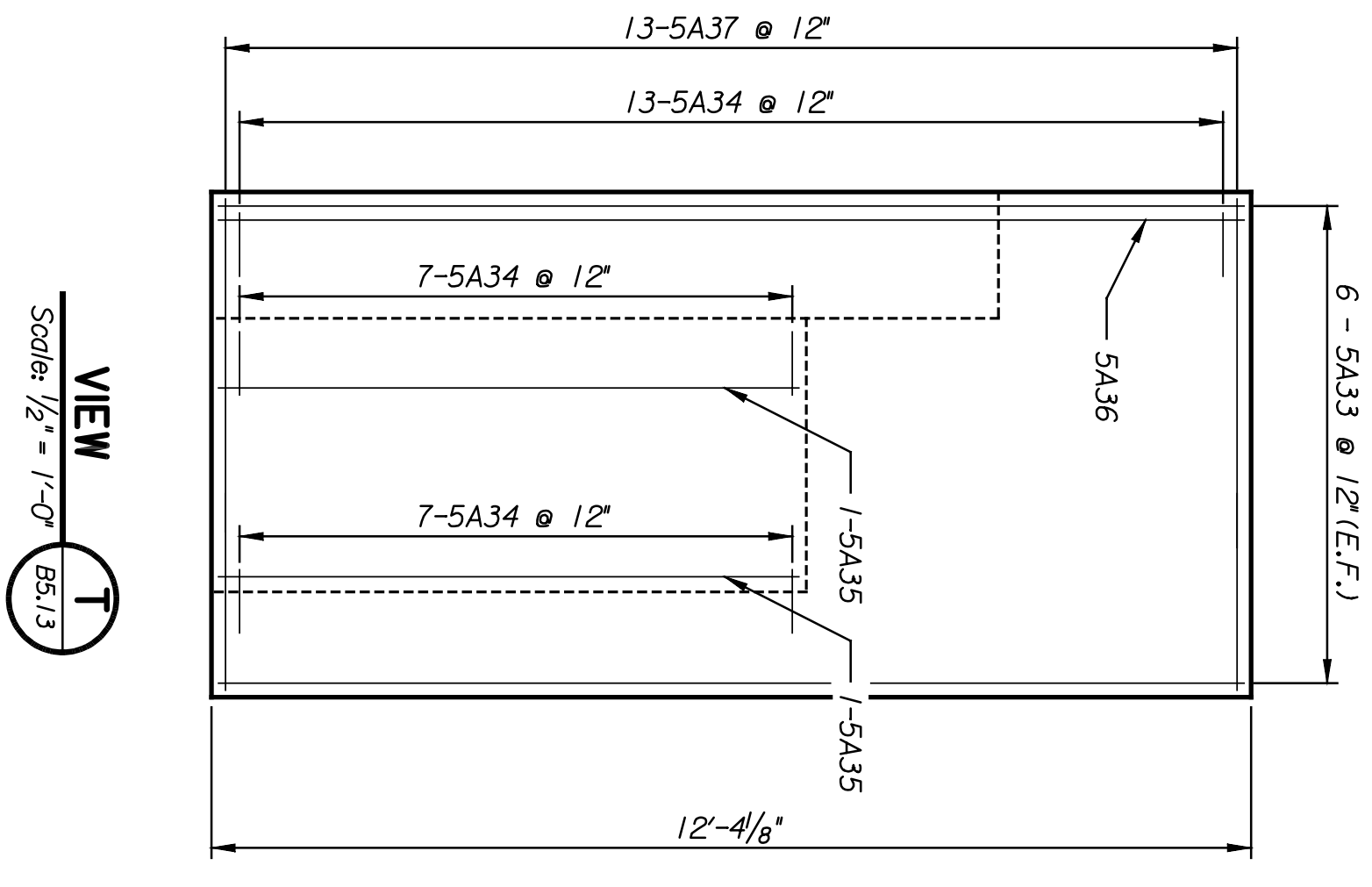
VIEW Q
 Scale: 1/2" = 1'-0"
 BS.13



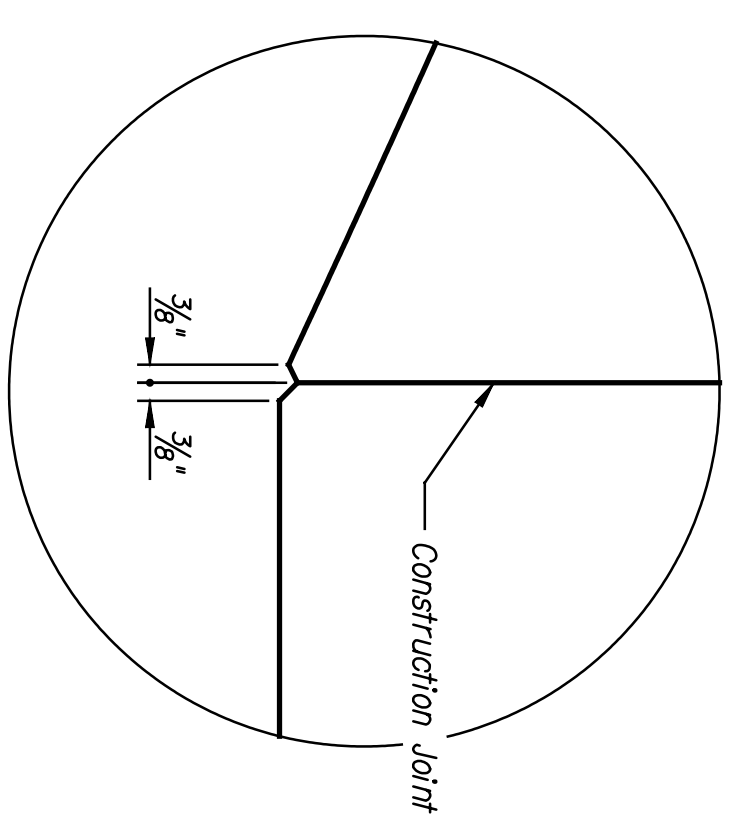
SECTION R
 Scale: 1" = 1'-0"
 BS.13



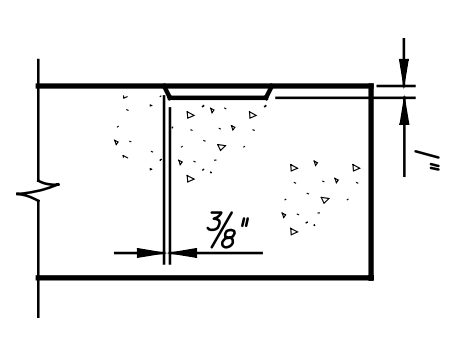
DETAIL S
 Scale: 1/2" = 1'-0"
 BS.6
 BS.9



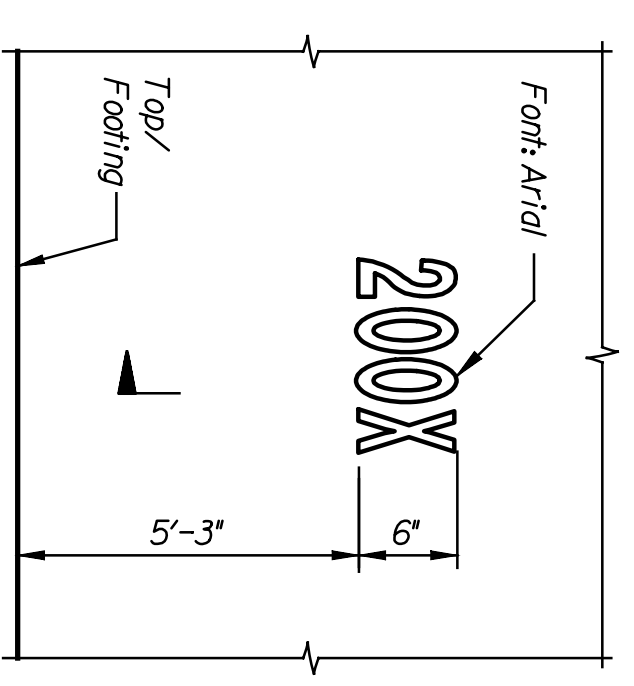
VIEW T
 Scale: 1/2" = 1'-0"
 BS.13



DETAIL V
 Not To Scale
 BS.13



SECTION H
 Scale: 1" = 1'-0"
 BS.13



DETAIL G
 Scale: 1" = 1'-0"
 BS.7
 BS.10

NOTE:
 Adjust reinforcing to maintain clear cover to concrete surfaces.
 The year of construction shall be as directed by the Engineer.

This sheet designed by:



ARCHITECTS ENGINEERS PLANNERS

COLLISION BEAM SEAT HEIGHTS			
ABUTMENT	CORNER	EAST	WEST
1	WEST	5 3/4"	7 7/8"
2	EAST	4 9/8"	6"

LOCATION: RM5F BR. 202.0 WICHITA, KS

LINE SEGMENT 7400

CITY OF WICHITA			
WICHITA CENTRAL CORRIDOR			
2ND STREET			
ABUTMENT DETAILS			
SHEET NO.	OF	SCALE	AS NOTED
DESIGNED BY: CWS	SCALE: AS NOTED	APP'D.	
DETAILED BY: CWS	QUANTITIES: DJL	TRACED BY: DJL	
DESIGN GR.: CWS	DETAIL GR.: JWH	FRAME GR.: DMH	
NO.	DATE	REVISIONS	BY
1			
2			
3			

NOTES:
 Refer to Abutment No. 1 for Abutment Notes.

STATE	PROJECT NO.	YEAR	SHEET NO.	TOTAL SHEETS
KANSAS	472-84071	2005	BS.13	