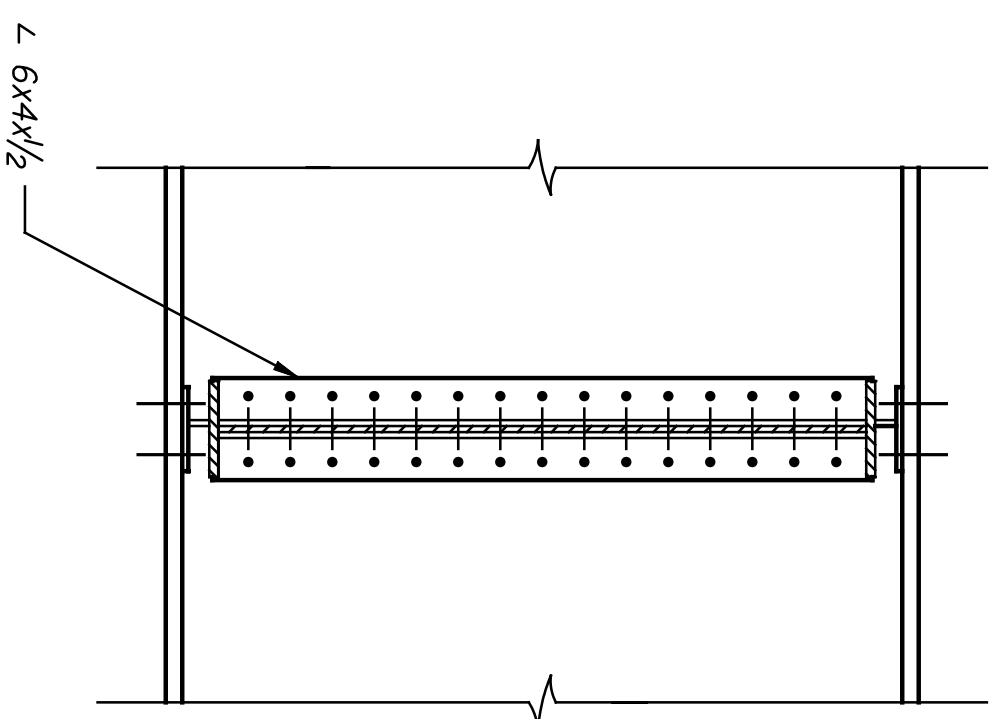
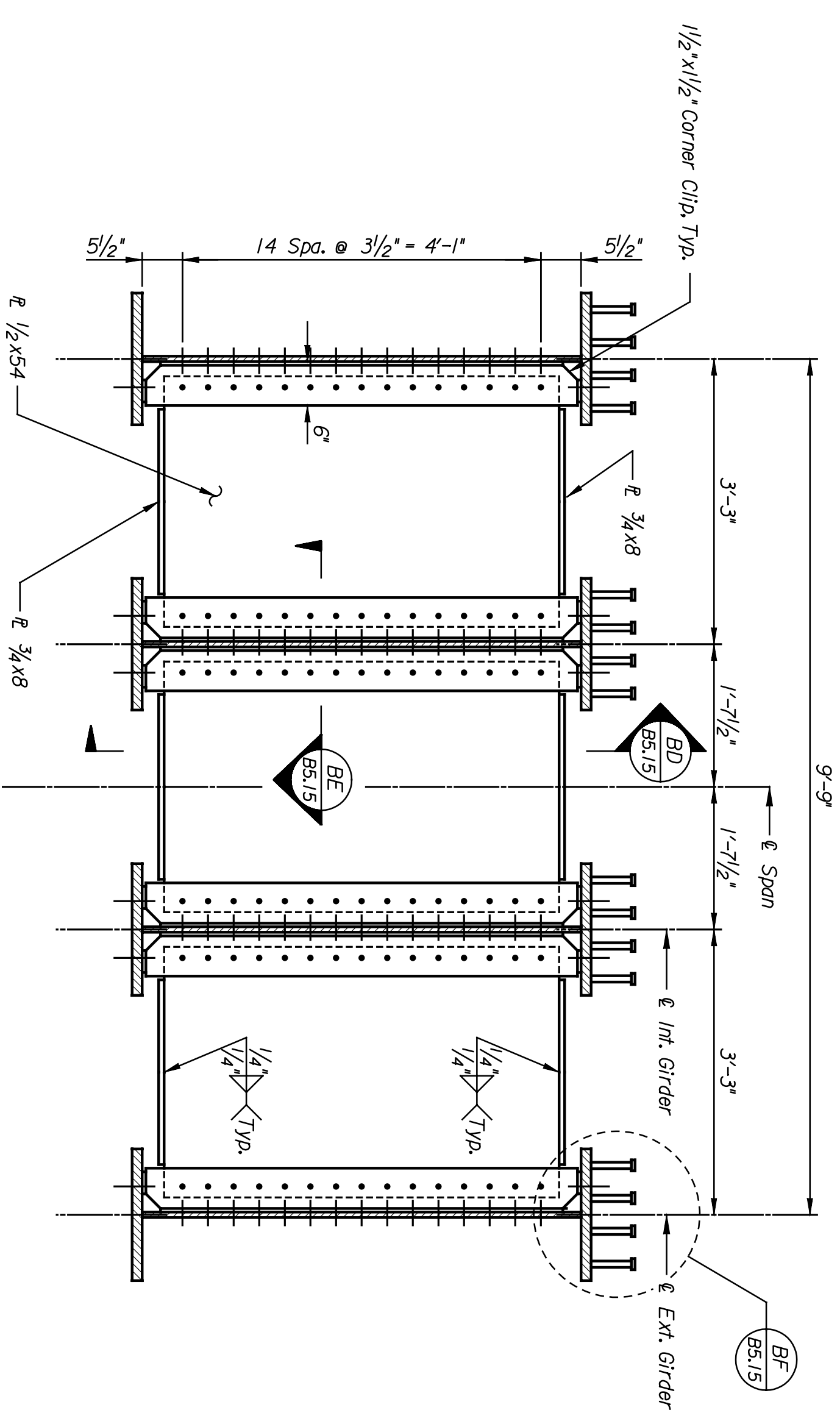


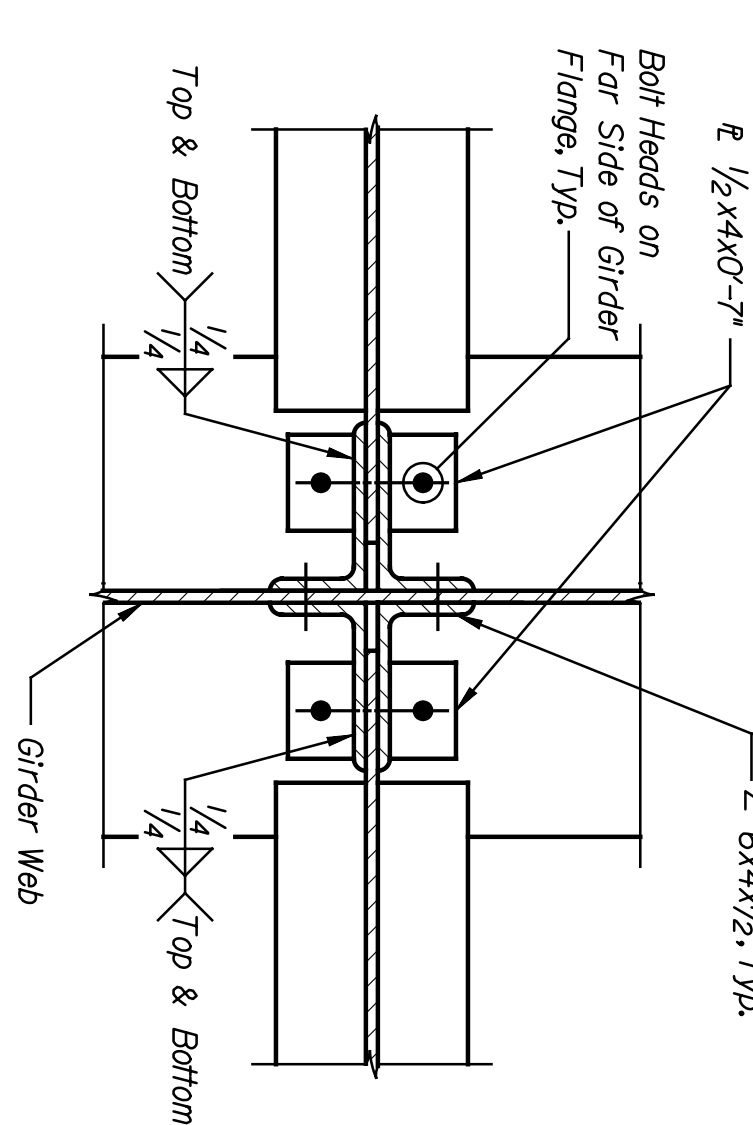
BY	DATE



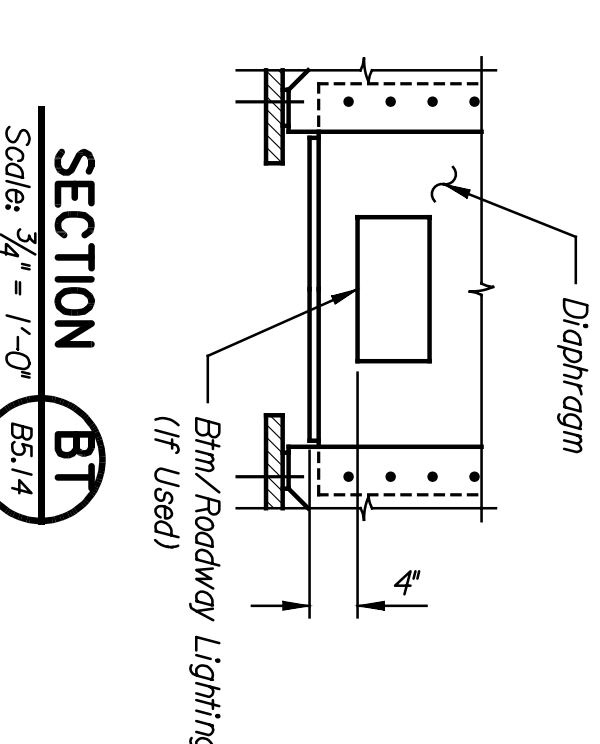
SECTION BD
 Scale: 3/4" = 1'-0"
 BS.15



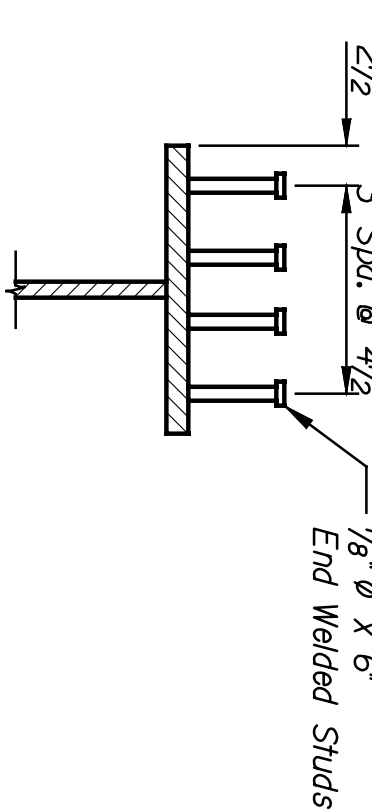
SECTION BA
 Scale: 3/4" = 1'-0"
 BS.14



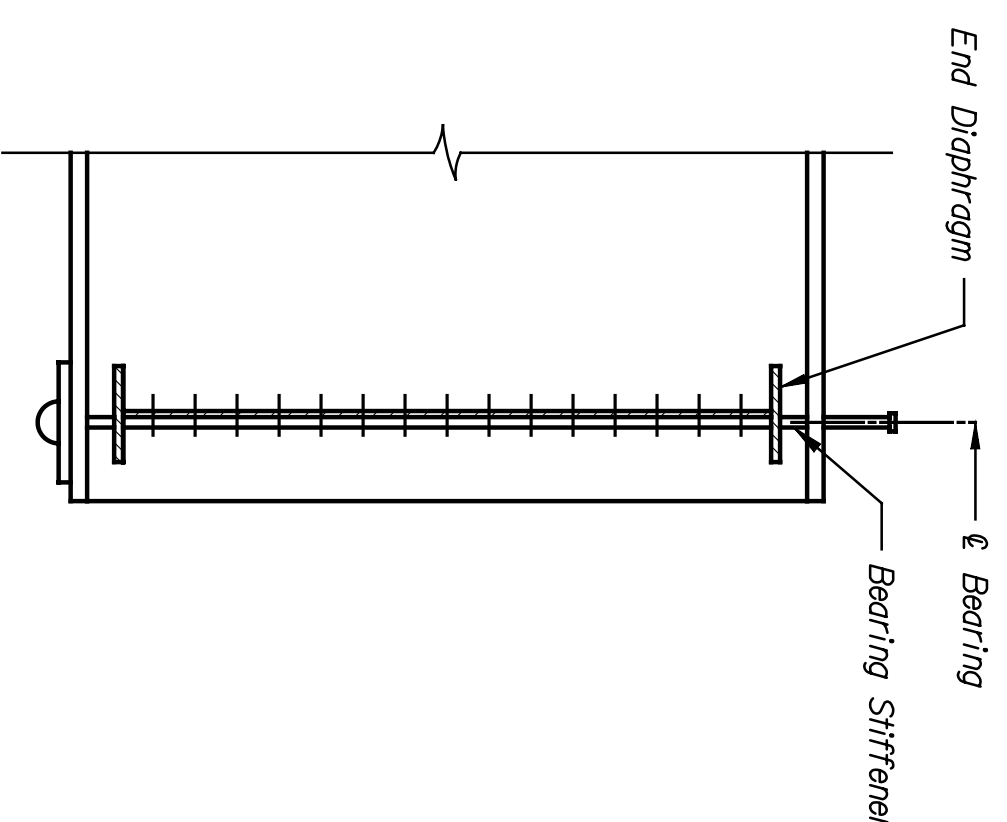
SECTION BE
 Scale: 1/2" = 1'-0"
 BS.15



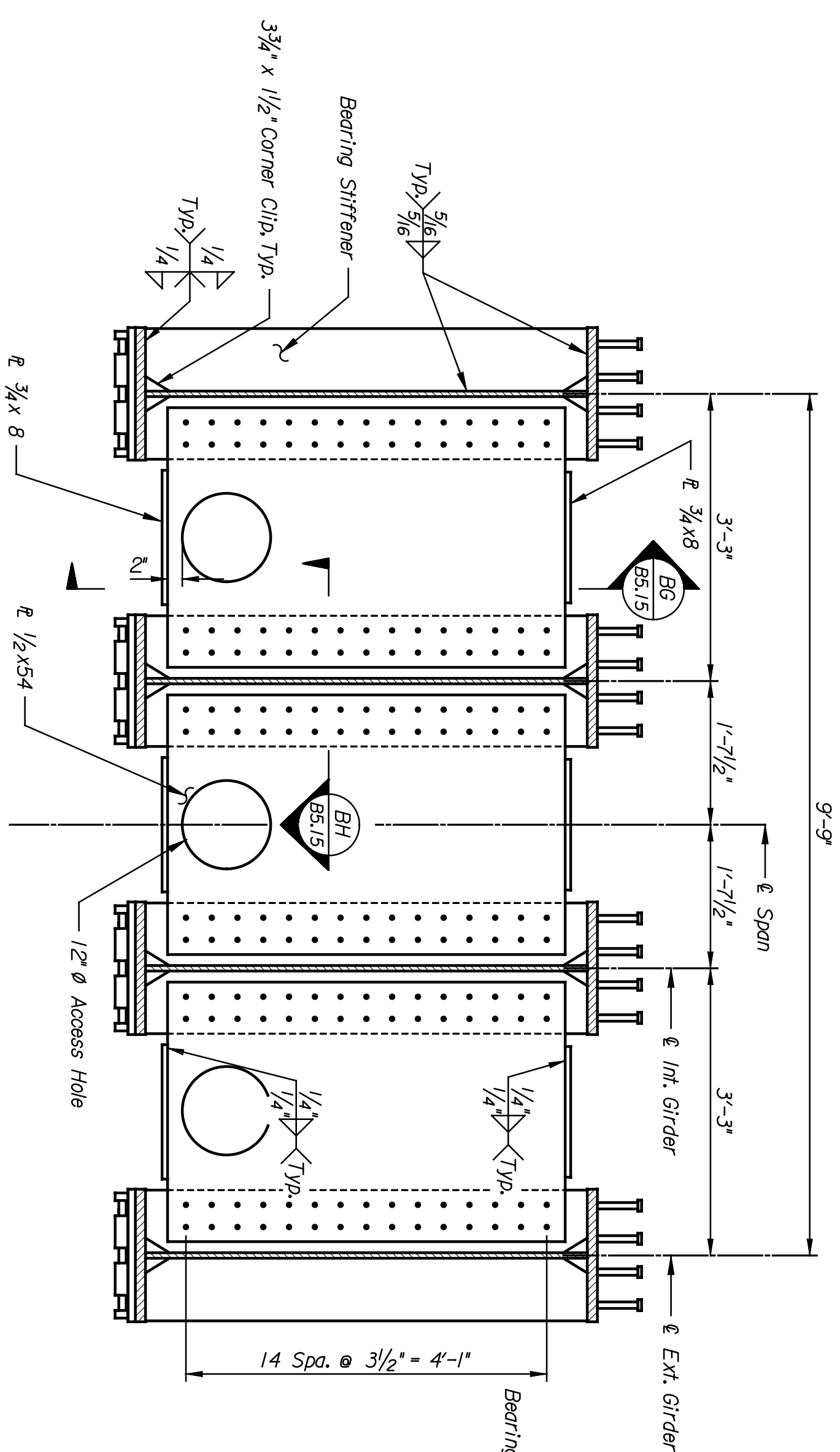
SECTION BT
 Scale: 3/4" = 1'-0"
 BS.14



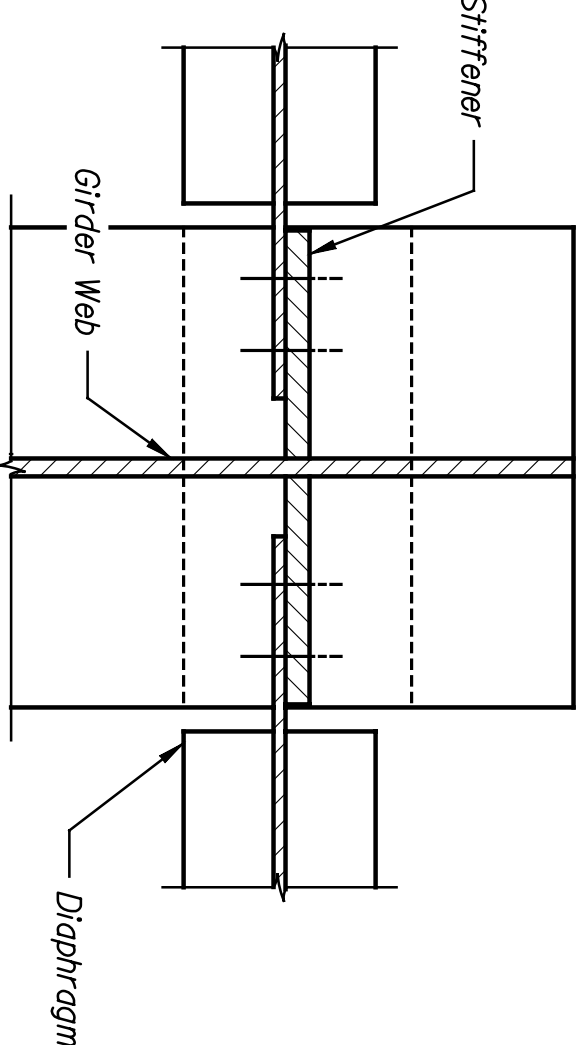
DETAIL BF
 Scale: 1" = 1'-0"
 BS.15



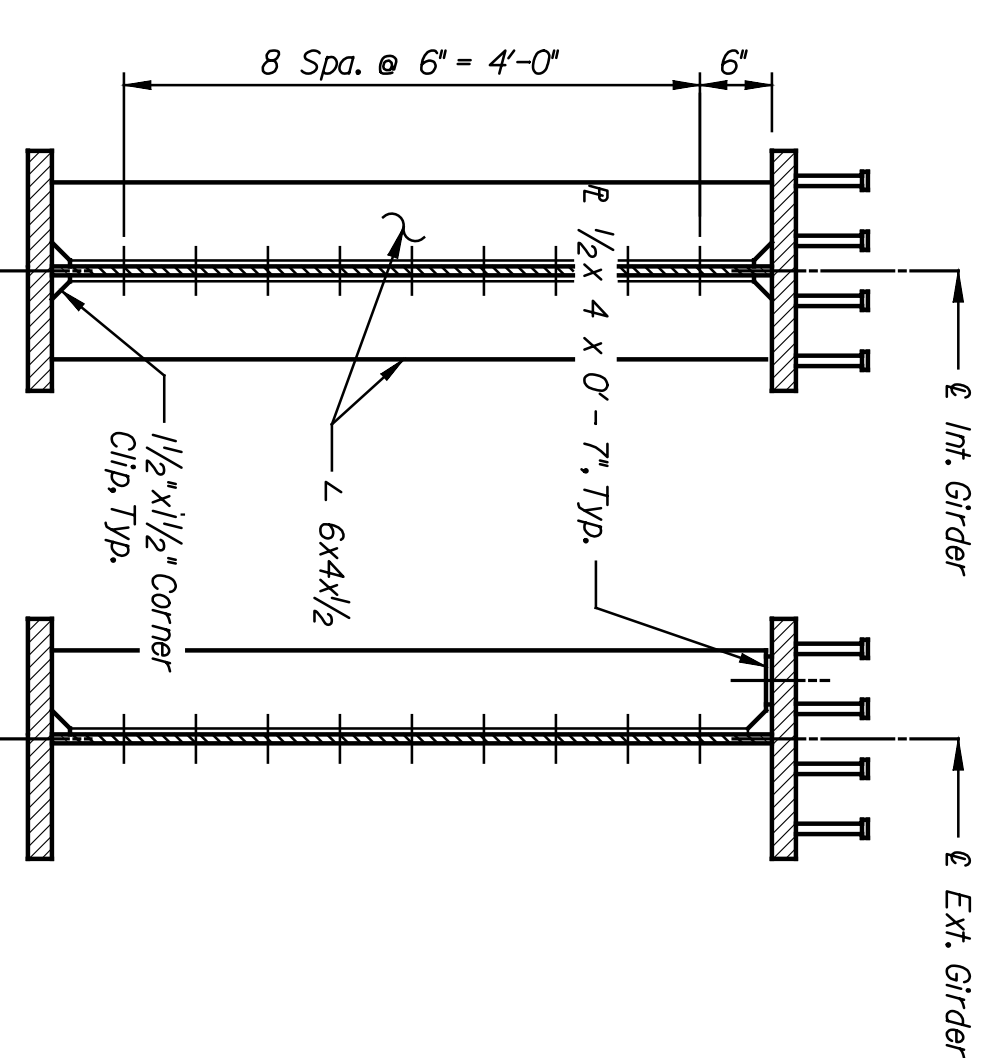
SECTION BC
 Scale: 3/4" = 1'-0"
 BS.15



SECTION BB
 Scale: 3/4" = 1'-0"
 BS.14



SECTION BH
 Scale: 1/2" = 1'-0"
 BS.15



SECTION BC
 Scale: 3/4" = 1'-0"
 BS.14

This sheet designed by:



ARCHITECTS ENGINEERS PLANNERS

STATE	PROJECT NO.	YEAR	SHEET NO.	TOTAL SHEETS
KANSAS	472-84071	2005	BS.15	

LOCATION: RNSF BR. 20.0 WICHITA, KS		SCALE: AS NOTED		APPD.	
DESIGNED: EKD	DETAILED: DJU	QUANTITIES: DJU	TRACED: DJU	DESIGN GR.: DMH	DETAIL GR.: EDJ
SHEET NO. OF		SCALE: AS NOTED		APPD.	
1	3	DESIGNED: EKD	DETAILED: DJU	QUANTITIES: DJU	TRACED: DJU
2	3	DESIGN GR.: DMH	DETAIL GR.: EDJ	QUANTITIES: DJU	TRACED: DJU
NO. DATE		REVISIONS		BY APPD.	
1					
2					
3					

CITY OF WICHITA
 WICHITA CENTRAL CORRIDOR
 2ND STREET
 SUPERSTRUCTURE DETAILS