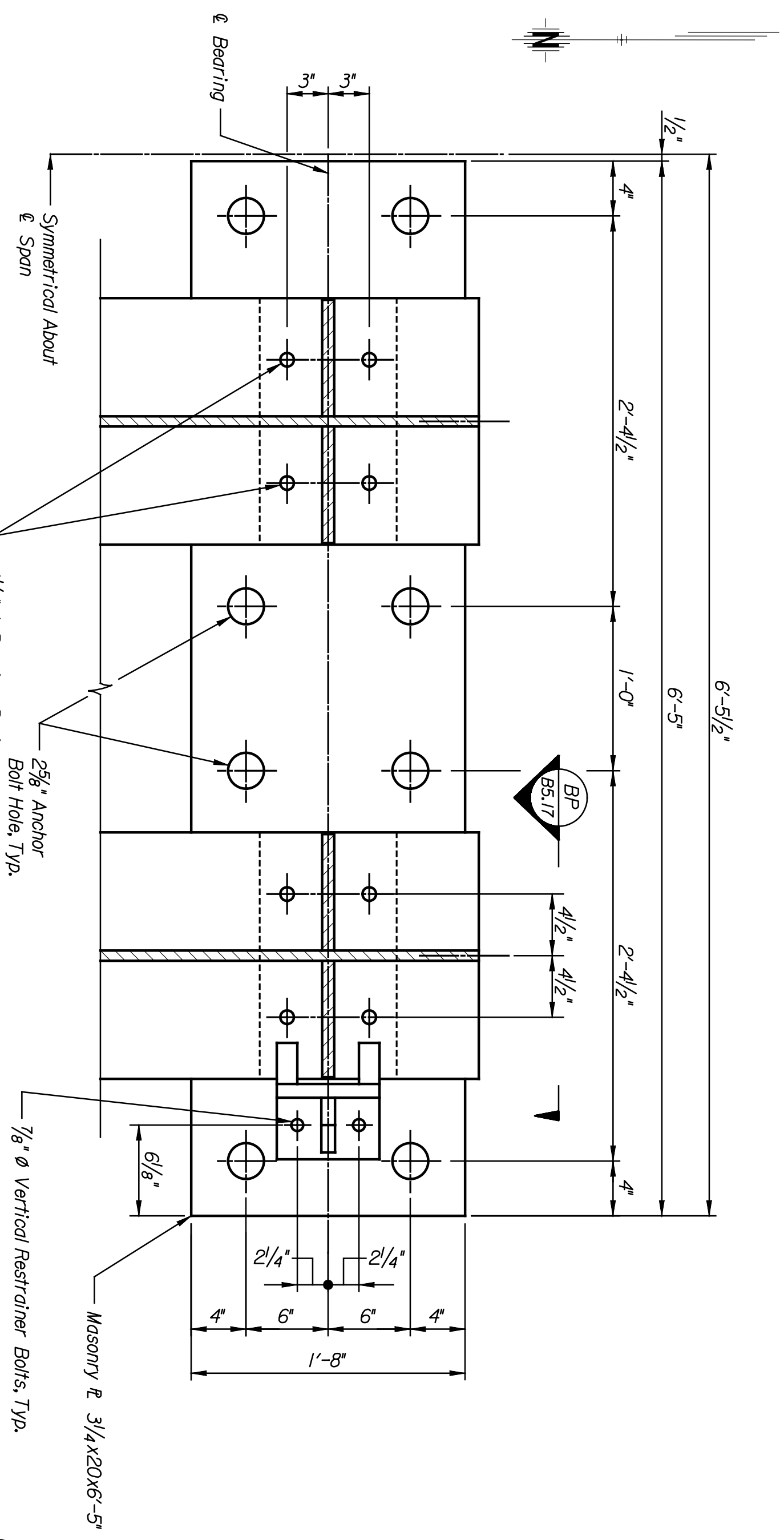
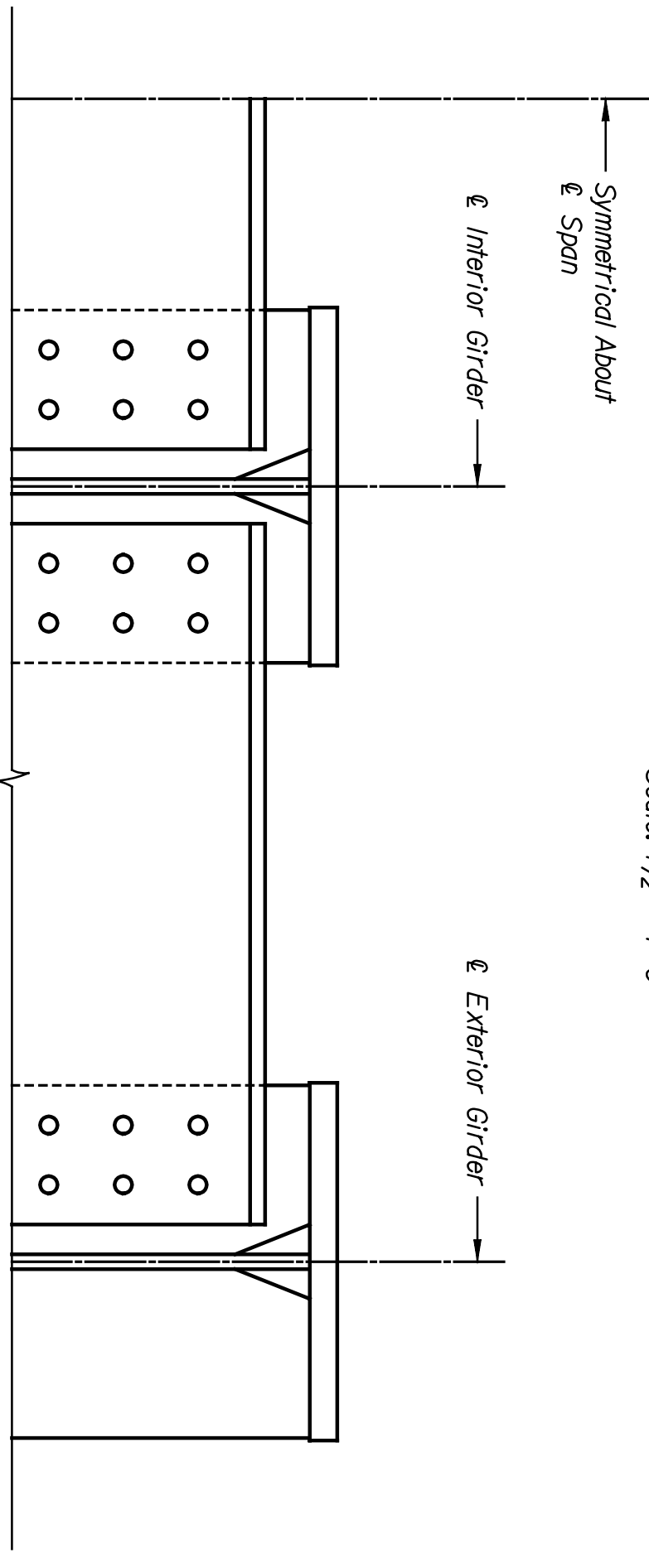


BY	DATE

Plotted on: 06-JAN-2005 15:02 \*time\$  
 scindrell Plot Queue: #queue\$  
 Plot Scale: #scale\$ Pen Table: #pentables  
 Design Filename: k:\b29049\BridgesDec2004\Base Bld\02ndStreet\drawings\sl6.dgn.

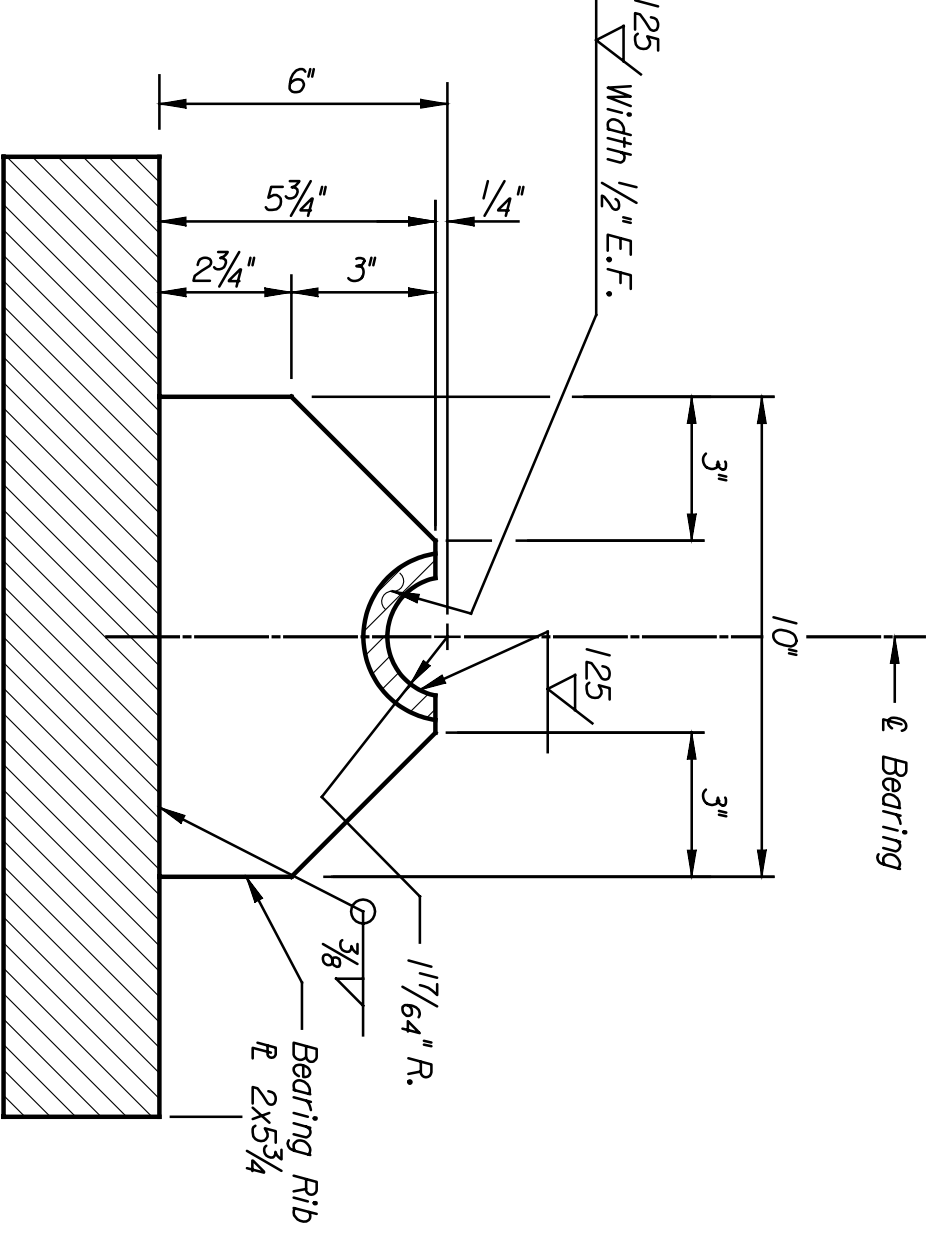
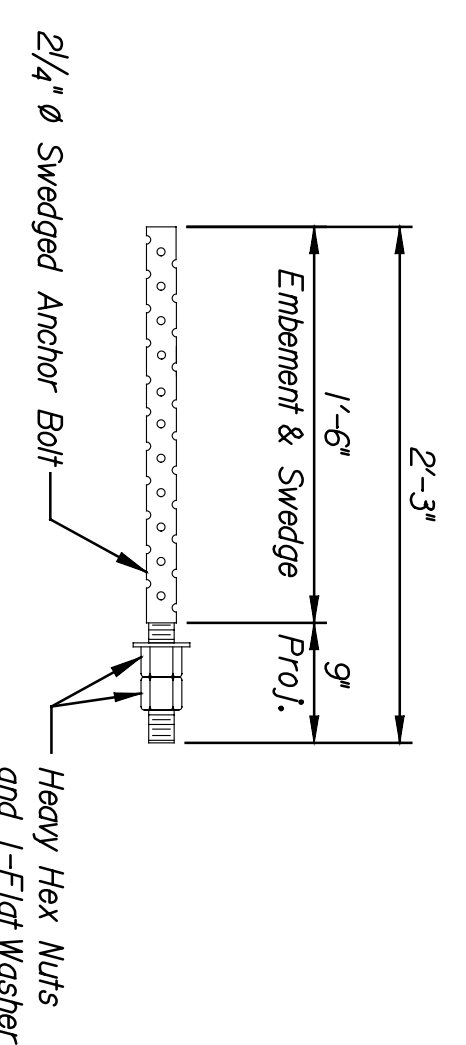


**FIXED BEARING PLAN**  
 Scale: 1/2" = 1'-0"

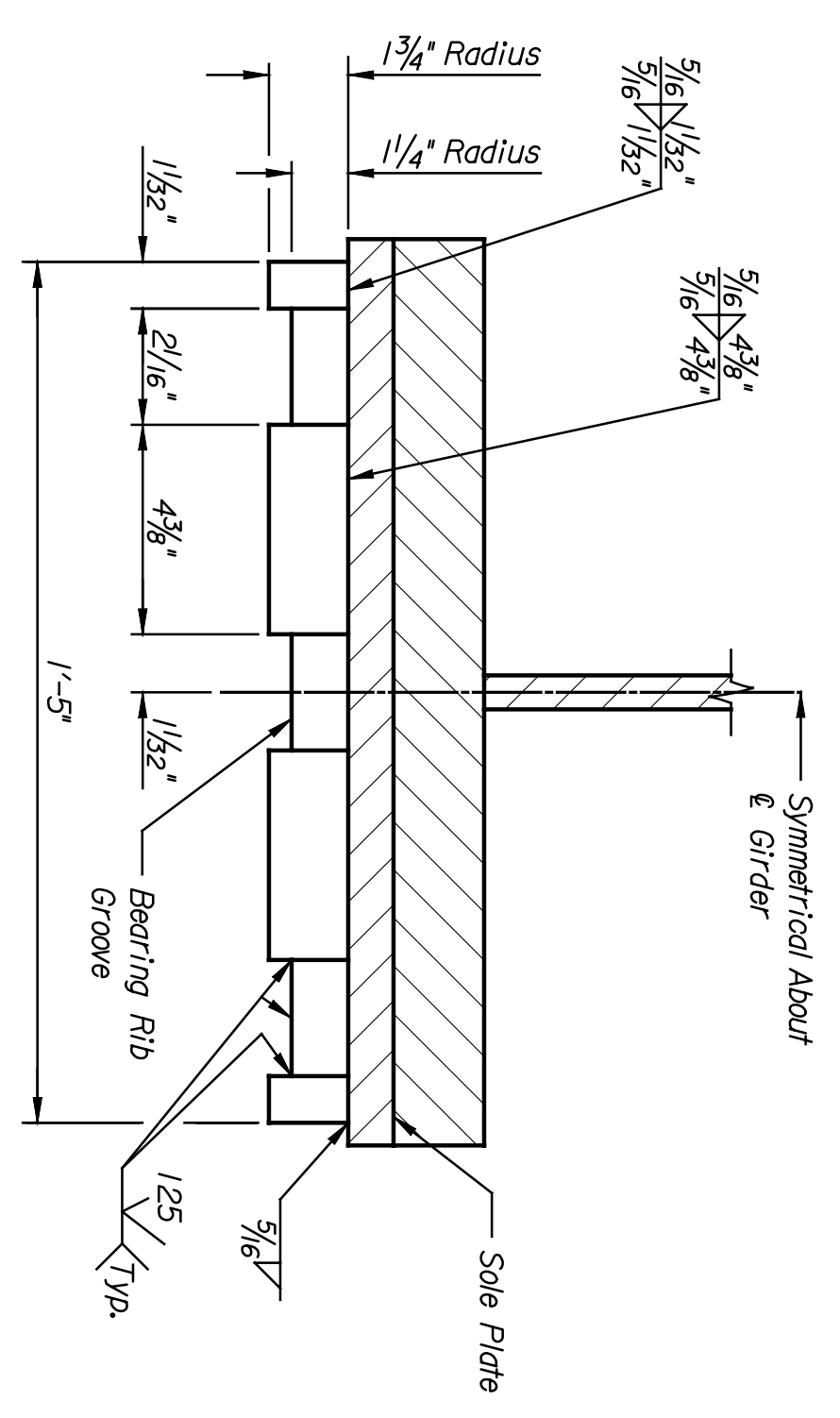


**SECTION BQ**  
 Scale: 3" = 1'-0"

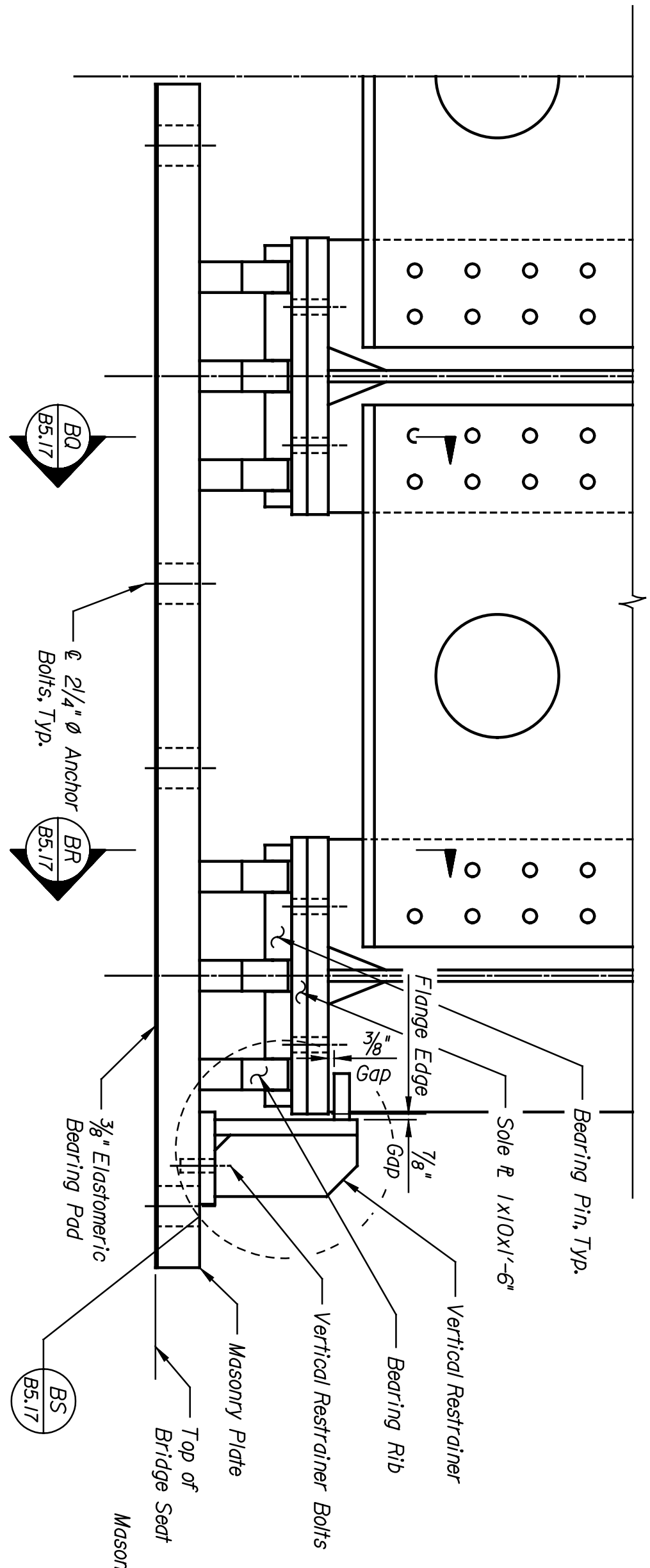
**ANCHOR BOLT DETAIL FOR FIXED BEARINGS**  
 Scale: 1/2" = 1'-0"



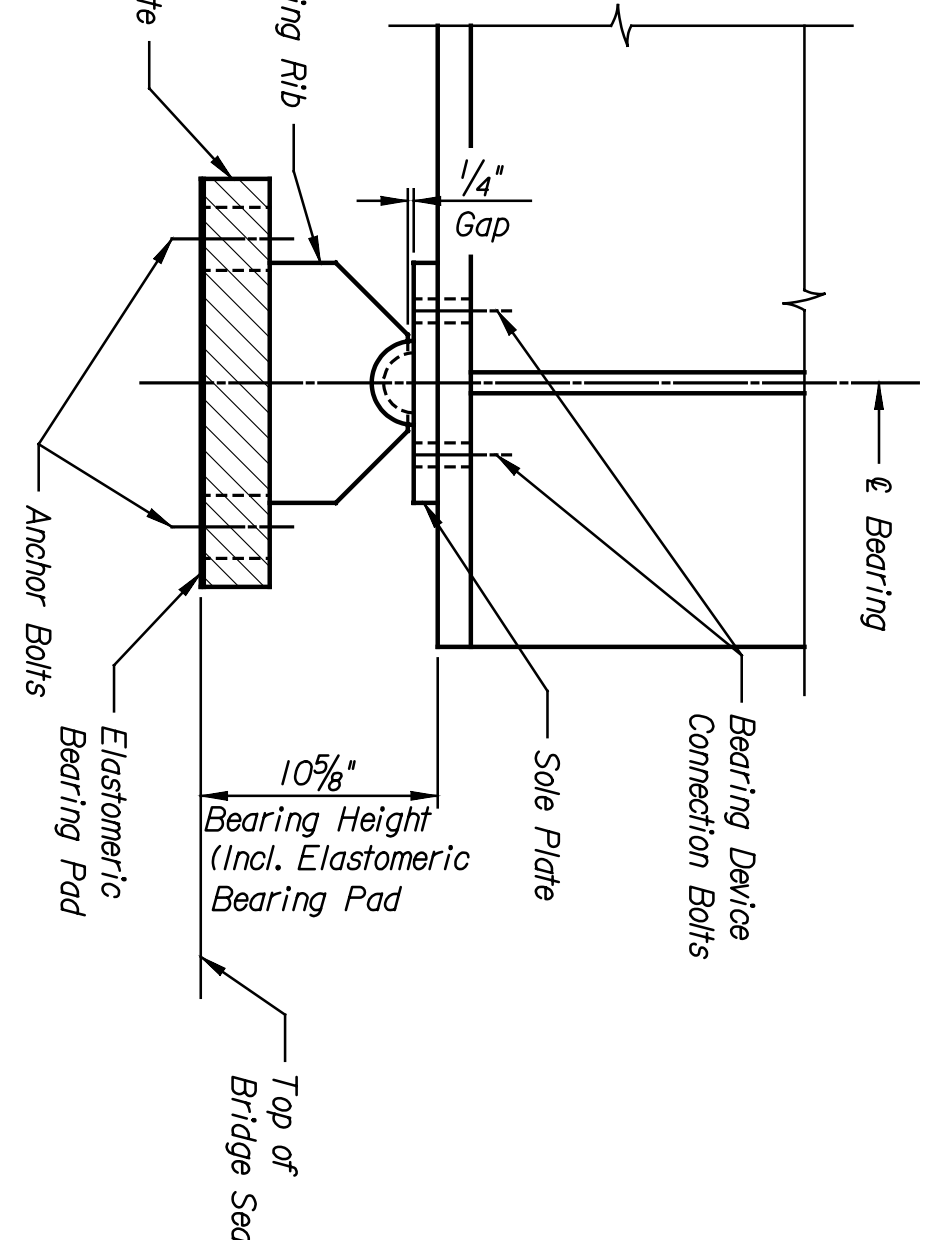
**SECTION BQ**  
 Scale: 3" = 1'-0"



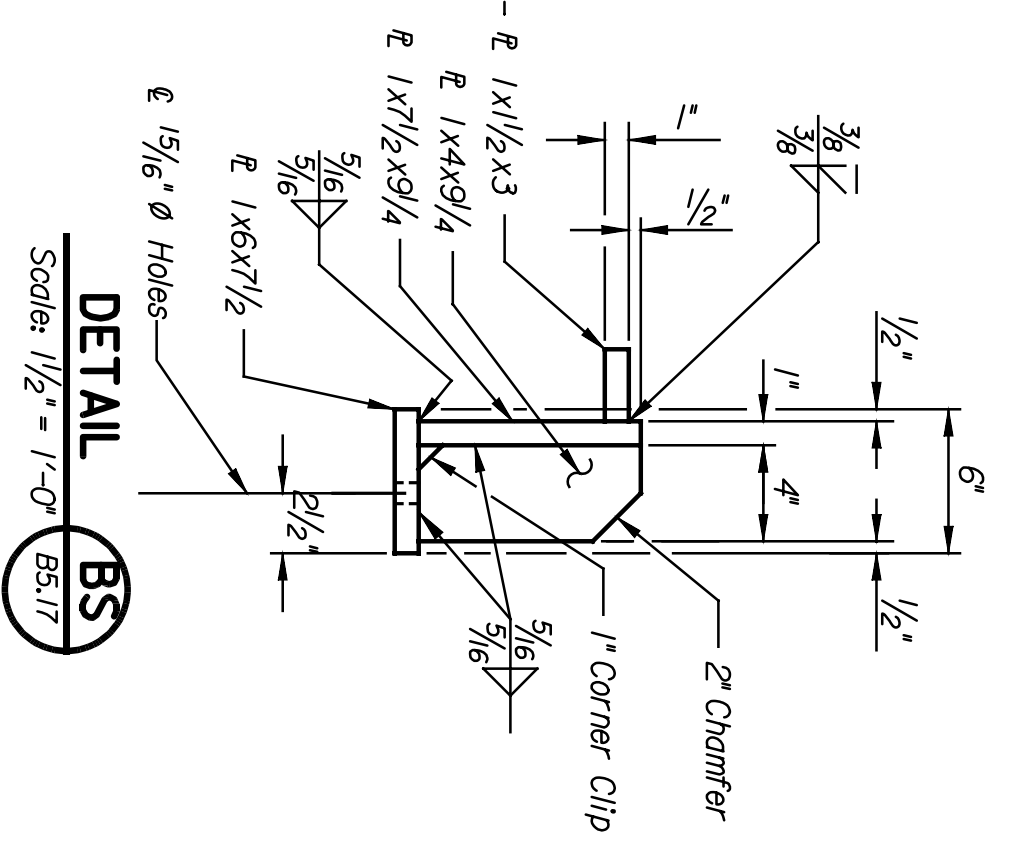
**DETAIL BP**  
 Scale: 3" = 1'-0"



**FIXED BEARING ELEVATION**  
 Scale: 1/2" = 1'-0"



**SECTION BR**  
 Scale: 1/2" = 1'-0"



**DETAIL BS**  
 Scale: 1/2" = 1'-0"

**PNTB**  
 ARCHITECTS ENGINEERS PLANNERS

This sheet designed by:

STATE	PROJECT NO.	YEAR	SHEET NO.	TOTAL SHEETS
KANSAS	472-84071	2005	BS.17	

NOTES:  
 Refer to Expansion Bearings for additional notes.

LOCATION:	LINE SEGMENT
RMSF BR. 20.0	7400
WICHITA, KS	

SHEET NO.	OF	SCALE	AS NOTED	APP'D.
DESIGNED	BY	DETAILS	QUANTITIES	TRACED
DESIGN GR.	DMH	DETAIL GR.	DMH	TRACED GR.
				DMH

CITY OF WICHITA	REVISIONS
WICHITA CENTRAL CORRIDOR	
2ND STREET	
FIXED BEARING DEVICE DETAILS	