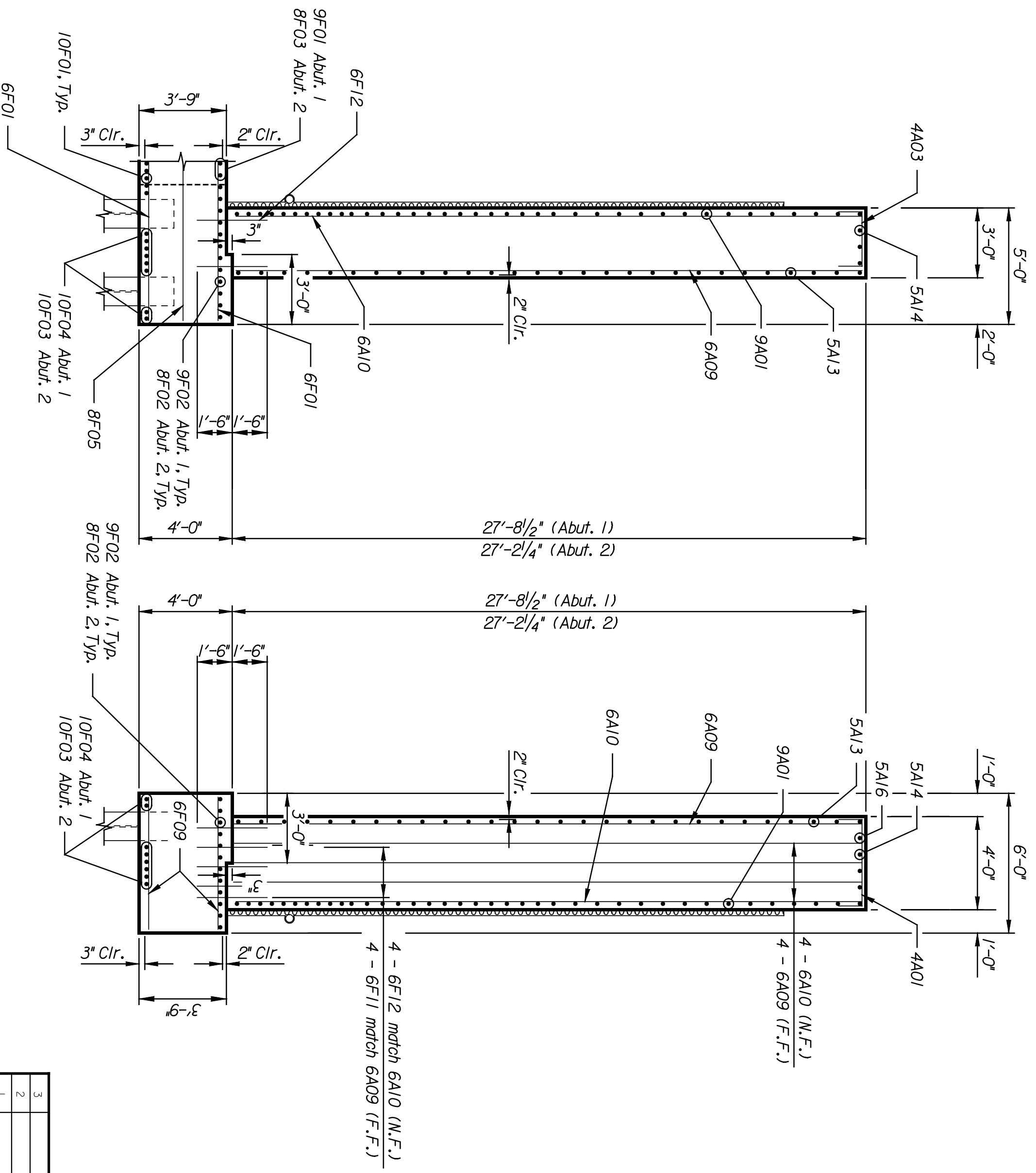
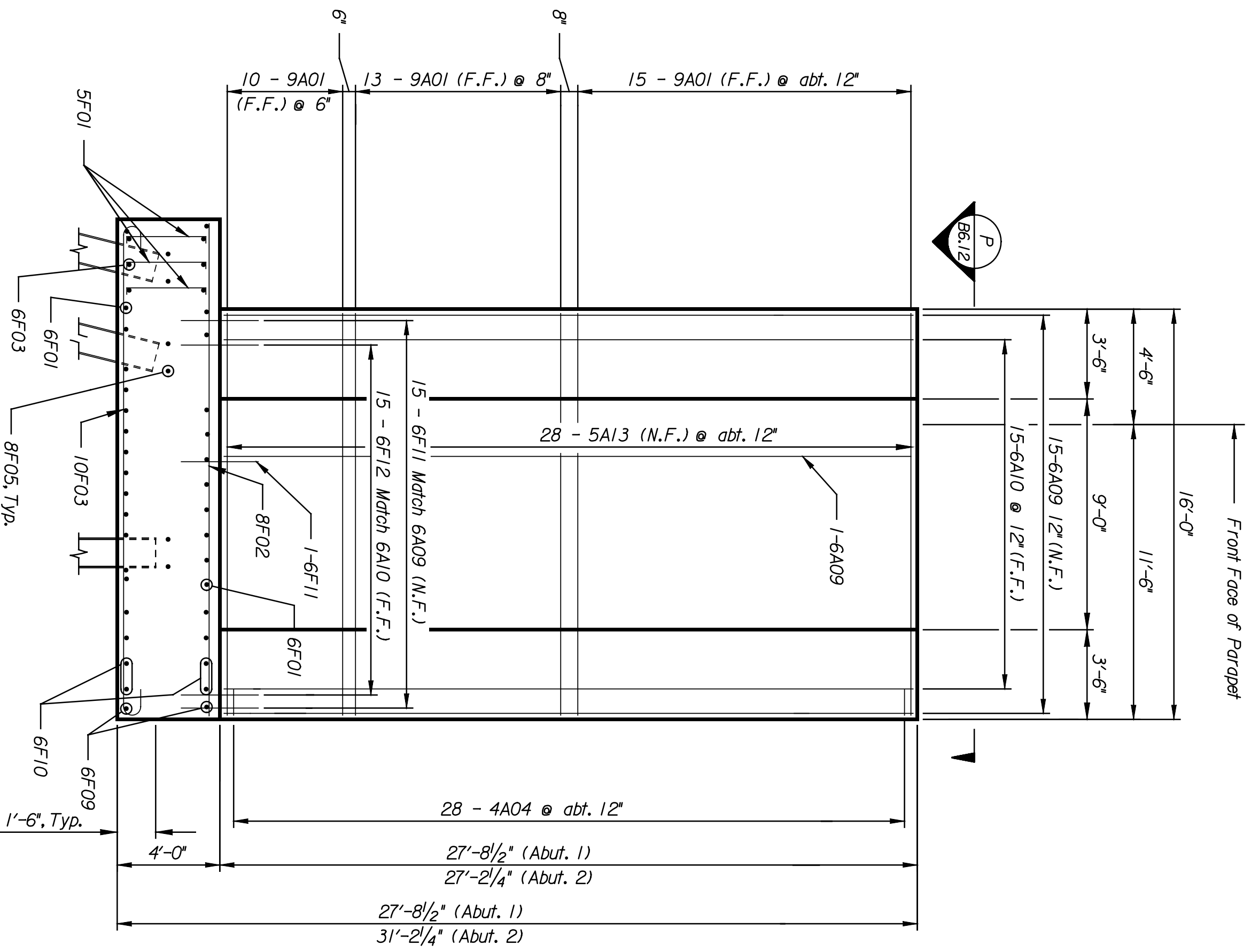
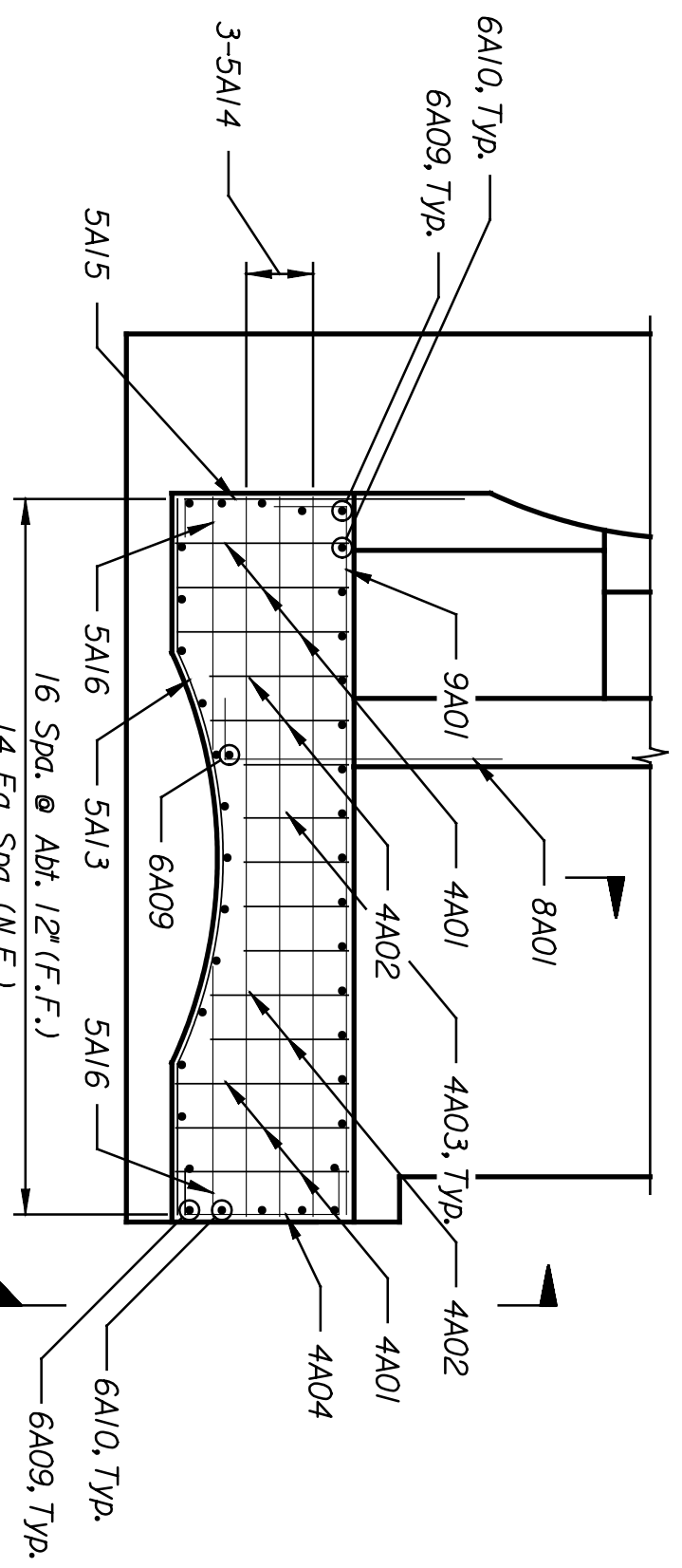


	BY	DATE

Plotted on: 04-JAN-2005 13:26 *time\$
 dJamison Plot Queue: #queue\$
 Plot Scale: #scale\$ Pen Table: #pentables
 Design Filename: k:\b29049\BridgesDec2004\Base Bld\01s+Street\drawings\Fill.dgn.



STATE	PROJECT NO.	YEAR	SHEET NO.	TOTAL SHEETS
KANSAS	472-84071	2005	B6.12	

NOTES:
 Refer to Abutment No. 1 for Abutment Notes.

This sheet designed by:



ARCHITECTS ENGINEERS PLANNERS

Abutment 2 Shown, Abutment 1 Similar

SECTION E
 Scale: 1/4" = 1'-0"
 B6.12

SECTION F
 Scale: 1/4" = 1'-0"
 B6.12

CITY OF WICHITA

WICHITA CENTRAL CORRIDOR

1ST STREET
 WINGWALL ELEVATION & DETAILS

REVISIONS		BY	APP'D.
NO.	DATE		
1			
2			
3			

DESIGNED	CHKD	SCALE AS NOTED	APP'D.	LOCATION
DESIGN GR.	DMH	DETAILS	DMH	RMSF BR. 202
DESIGN GR.	DMH	DETAILS	DMH	WICHITA, KS
DESIGN GR.	DMH	DETAILS	DMH	LINE SEGMENT 7400