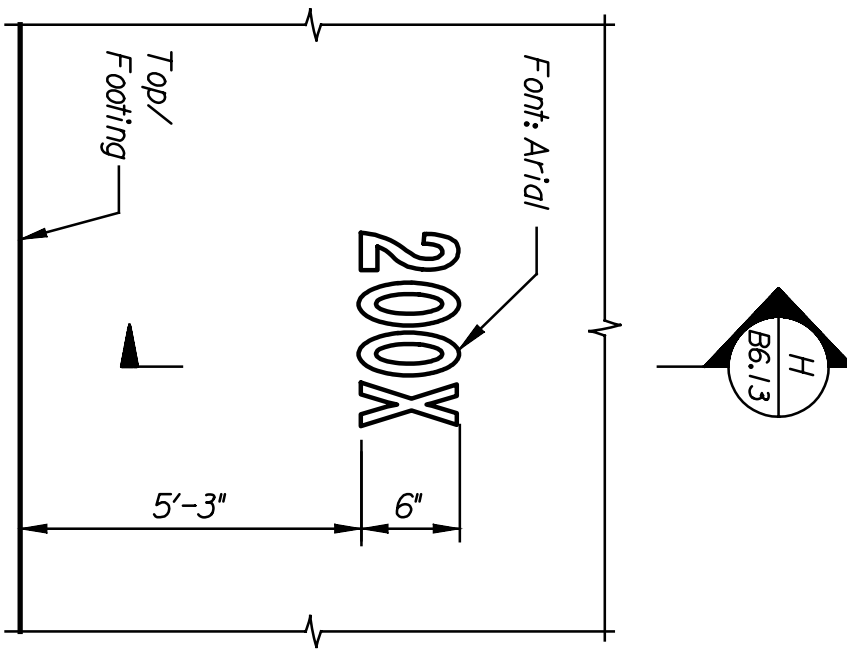
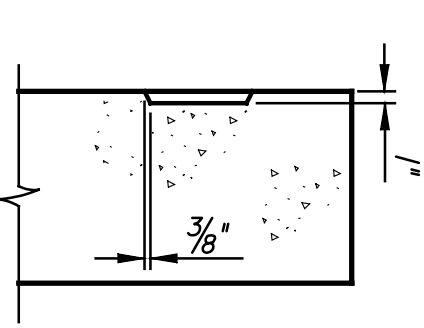
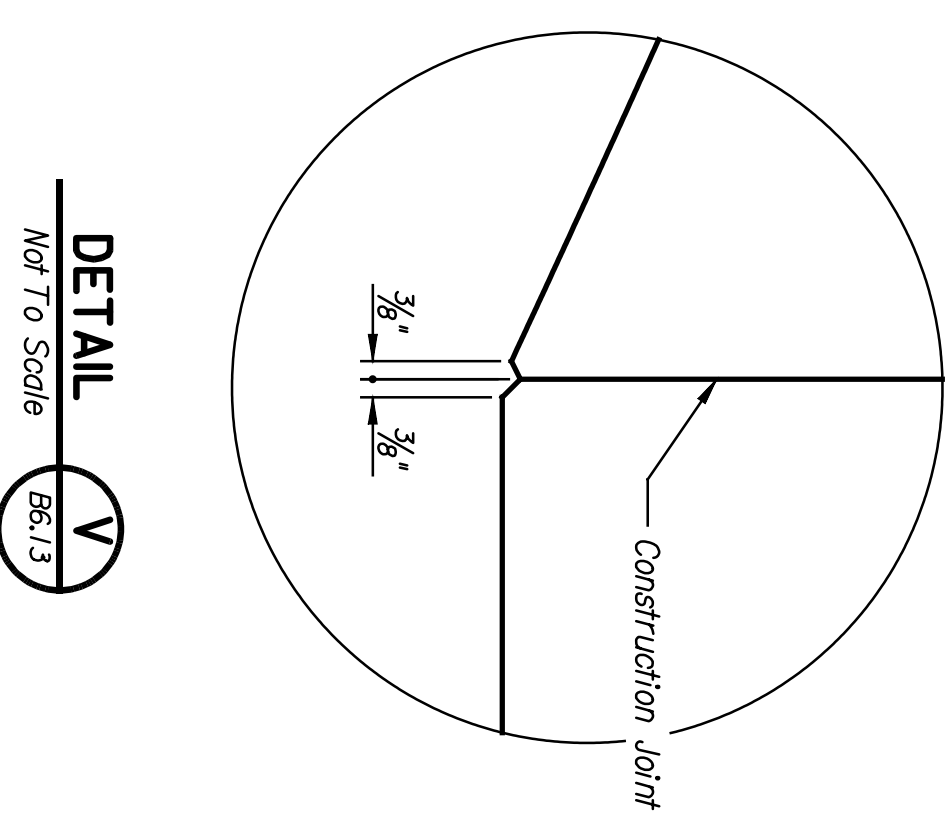
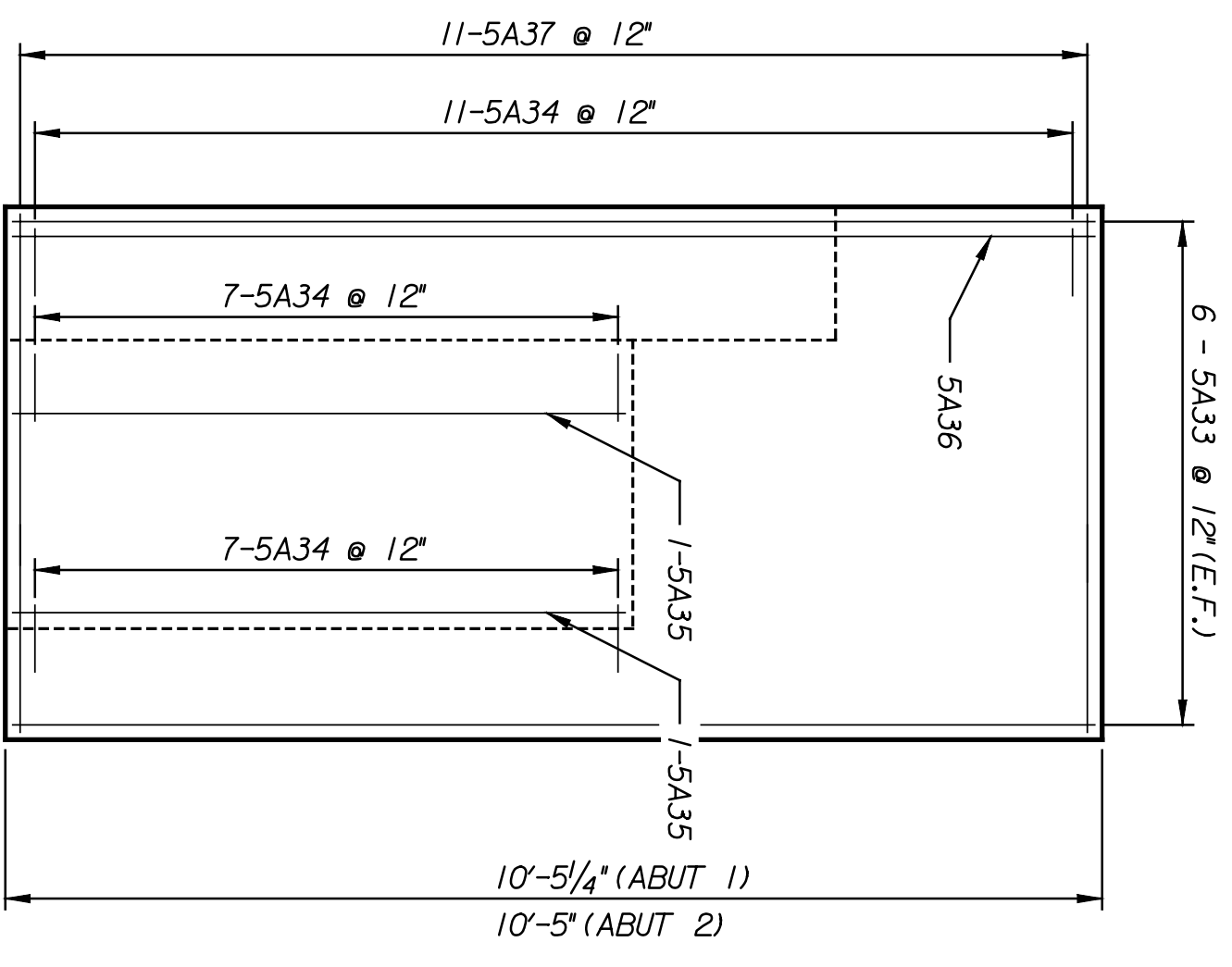
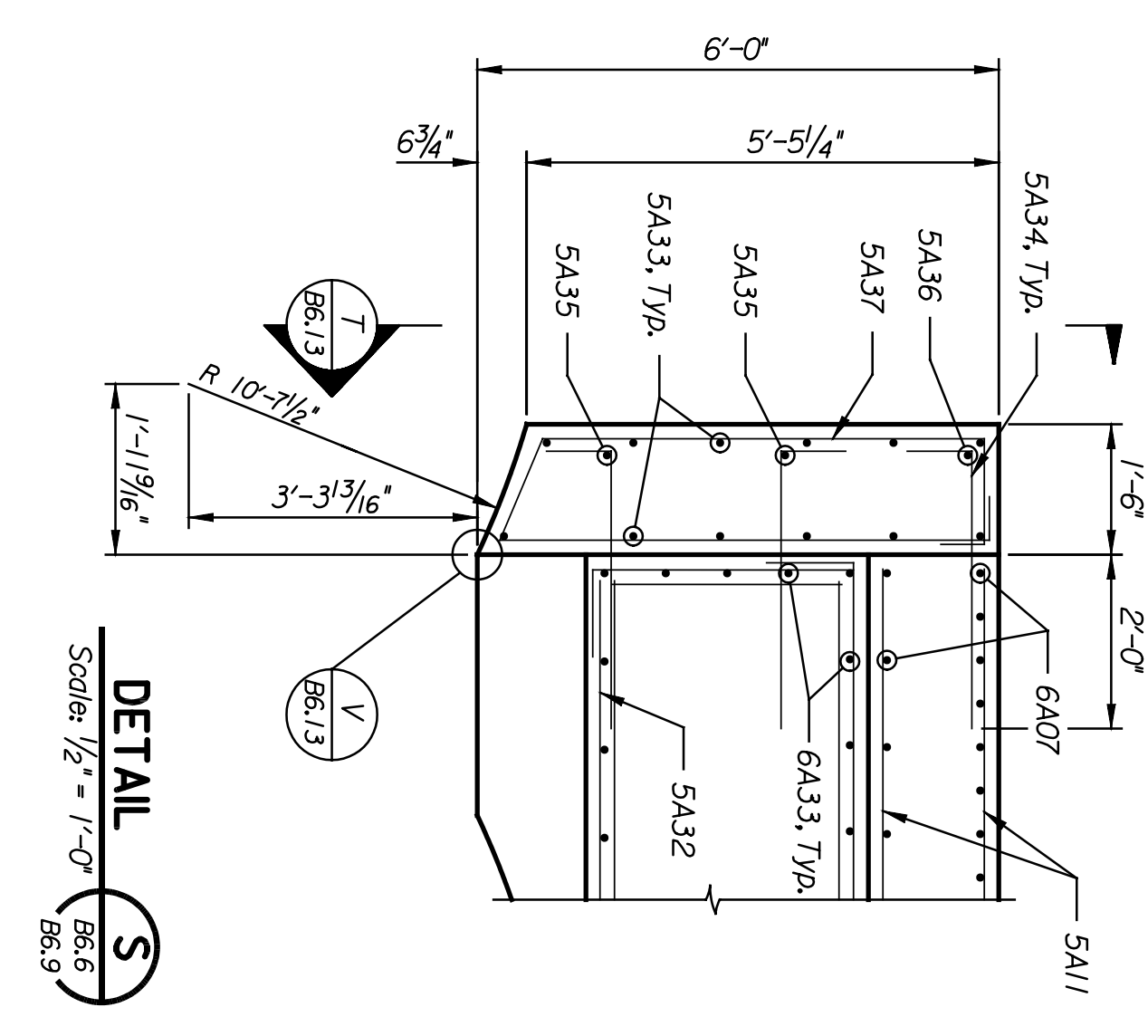
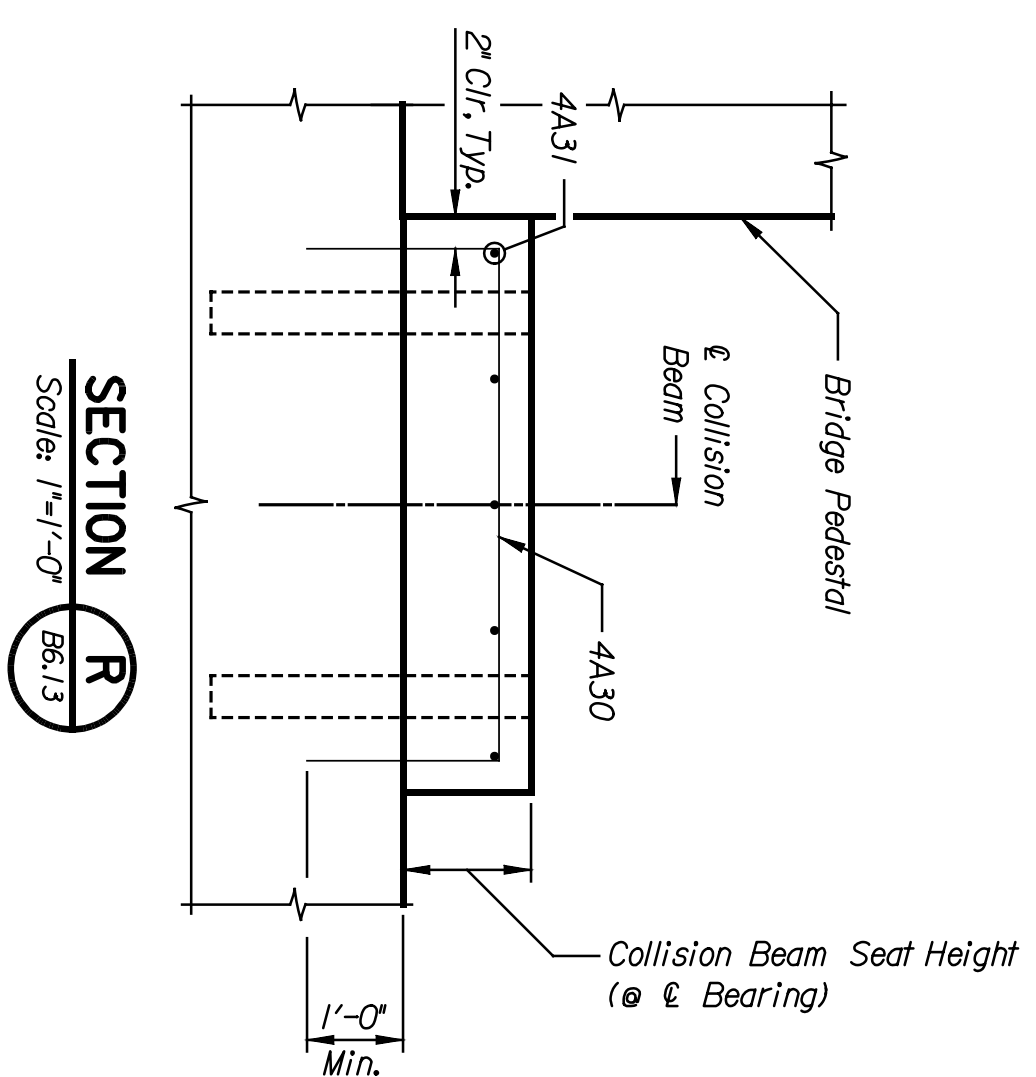
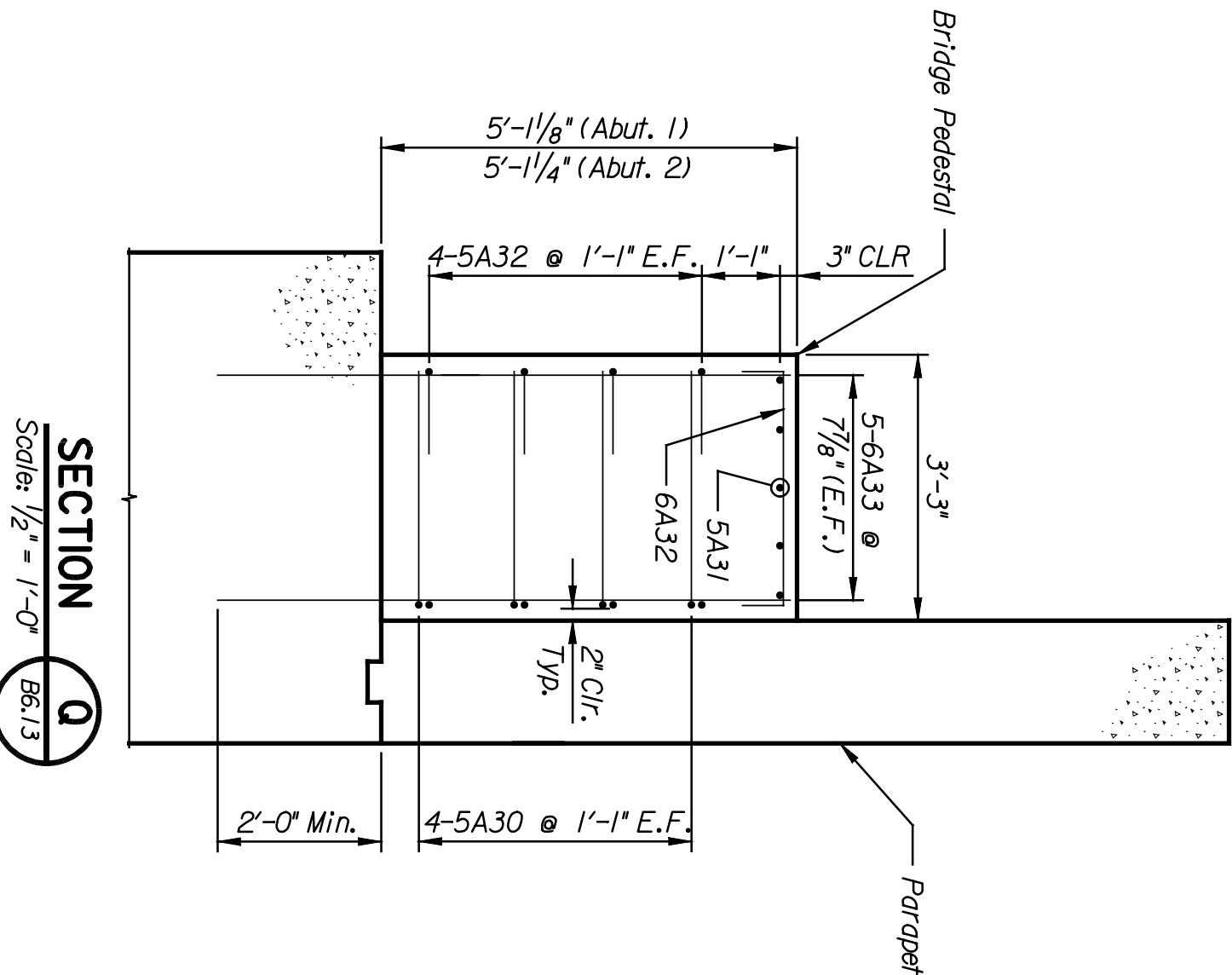
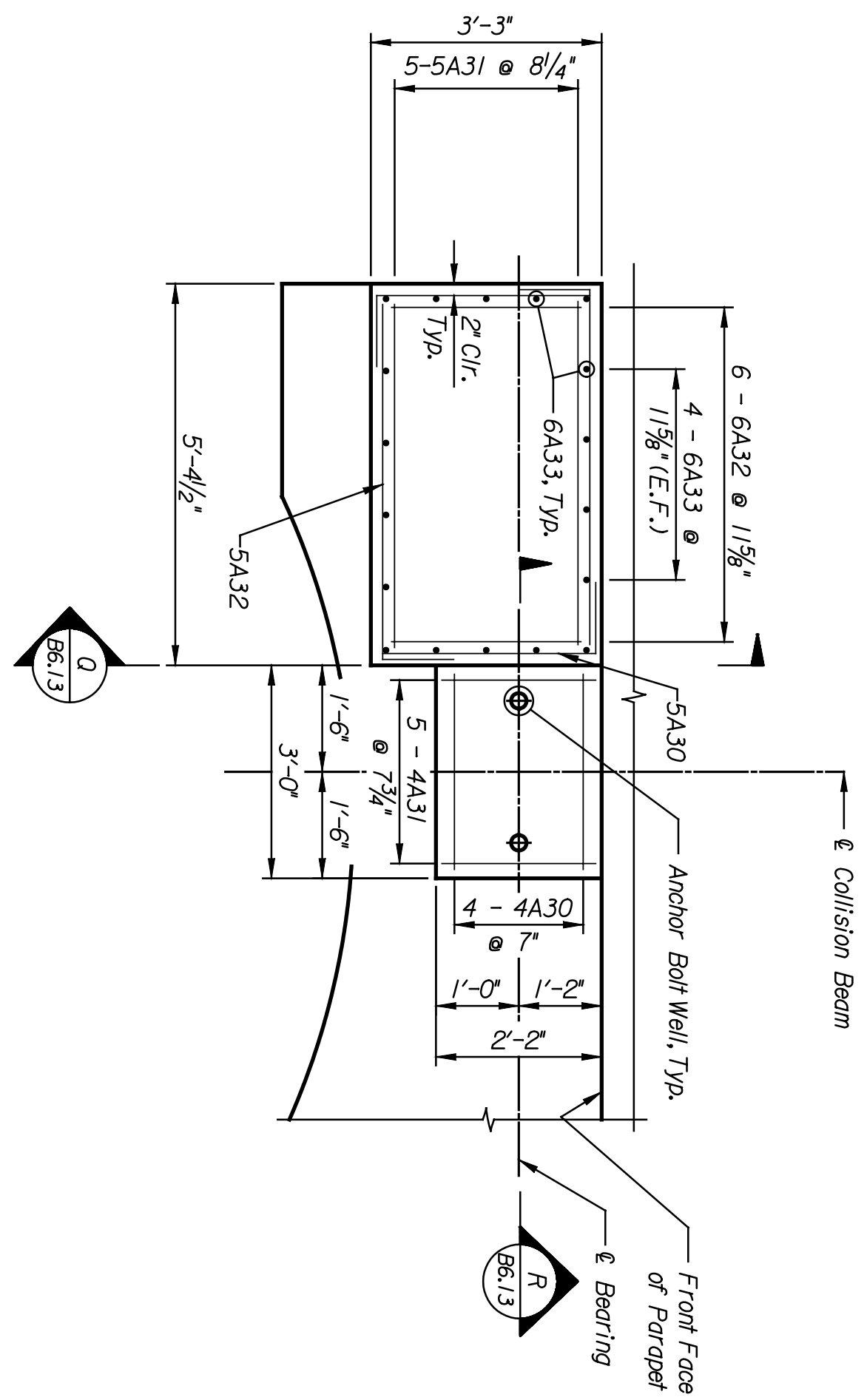


BY	DATE



NOTES:
 Ad just reinforcing to maintain clear cover to concrete surfaces.
 The year of construction shall be as directed by the Engineer.

NOTES:
 Refer to Abutment No. 1 for Abutment Notes.

STATE	PROJECT NO.	YEAR	SHEET NO.	TOTAL SHEETS
KANSAS	472-84071	2005	B6.13	

This sheet designed by:



ARCHITECTS ENGINEERS PLANNERS

COLLISION BEAM SEAT HEIGHTS

ABUTMENT	CORNER	EAST	WEST
1		3 3/4"	4 3/4"
2		3 3/4"	4 3/4"

**CITY OF WICHITA
 WICHITA CENTRAL CORRIDOR
 1ST STREET
 ABUTMENT DETAILS**

NO.	DATE	REVISIONS	BY	APP'D.
3				
2				
1				

SHEET NO. OF	SCALE AS NOTED	APP'D.	DESIGNED	QMS	SCALE	AS NOTED	APP'D.	QUANTITIES	DLL	TRAGED	DLL
DESIGNER	CHK.	DETAIL	CHK.	JWH	DESIGNER	CHK.	JWH	QUANTITIES	DWH	TRAGED	DWH
LOCATION:	RMSF BR. 202.2	WICHITA, KS	LINE SEGMENT	7400							