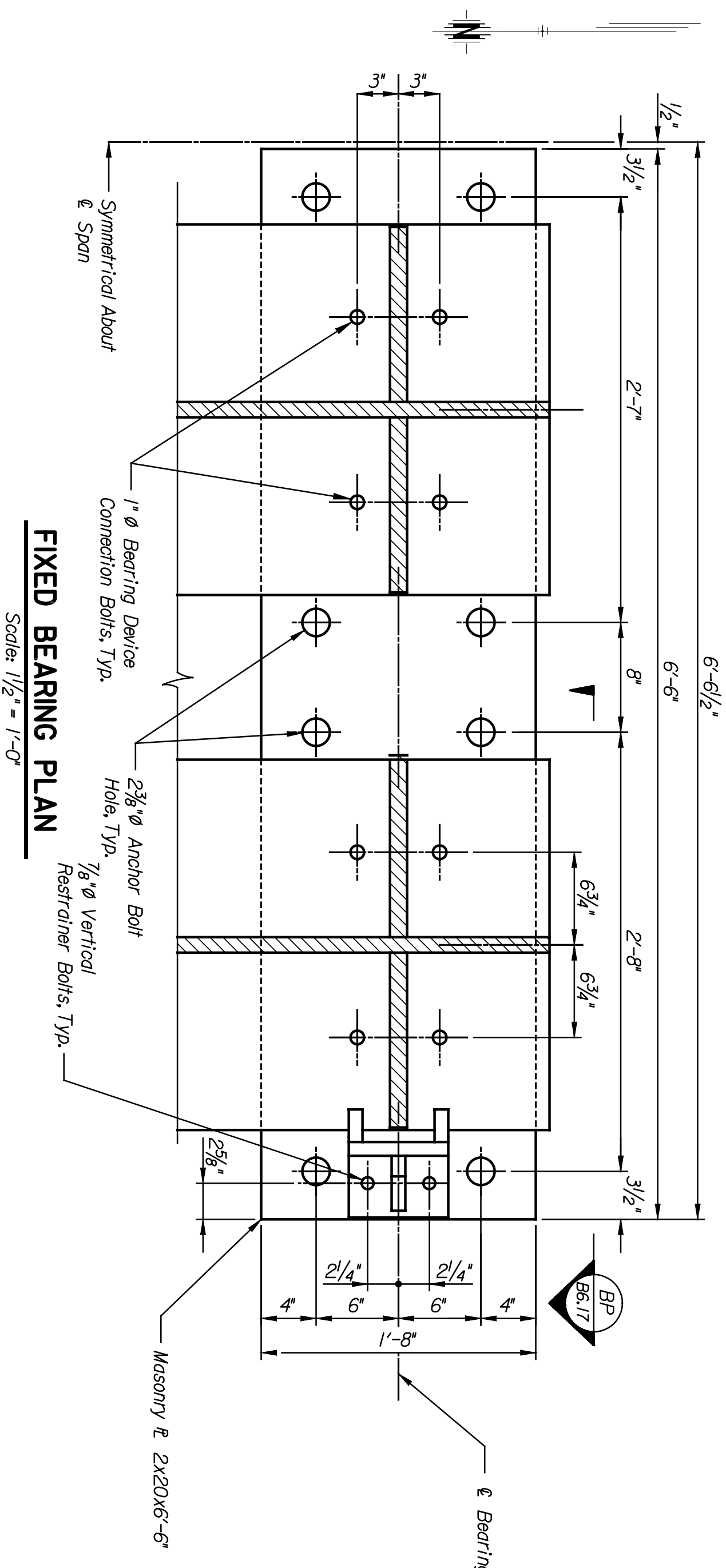
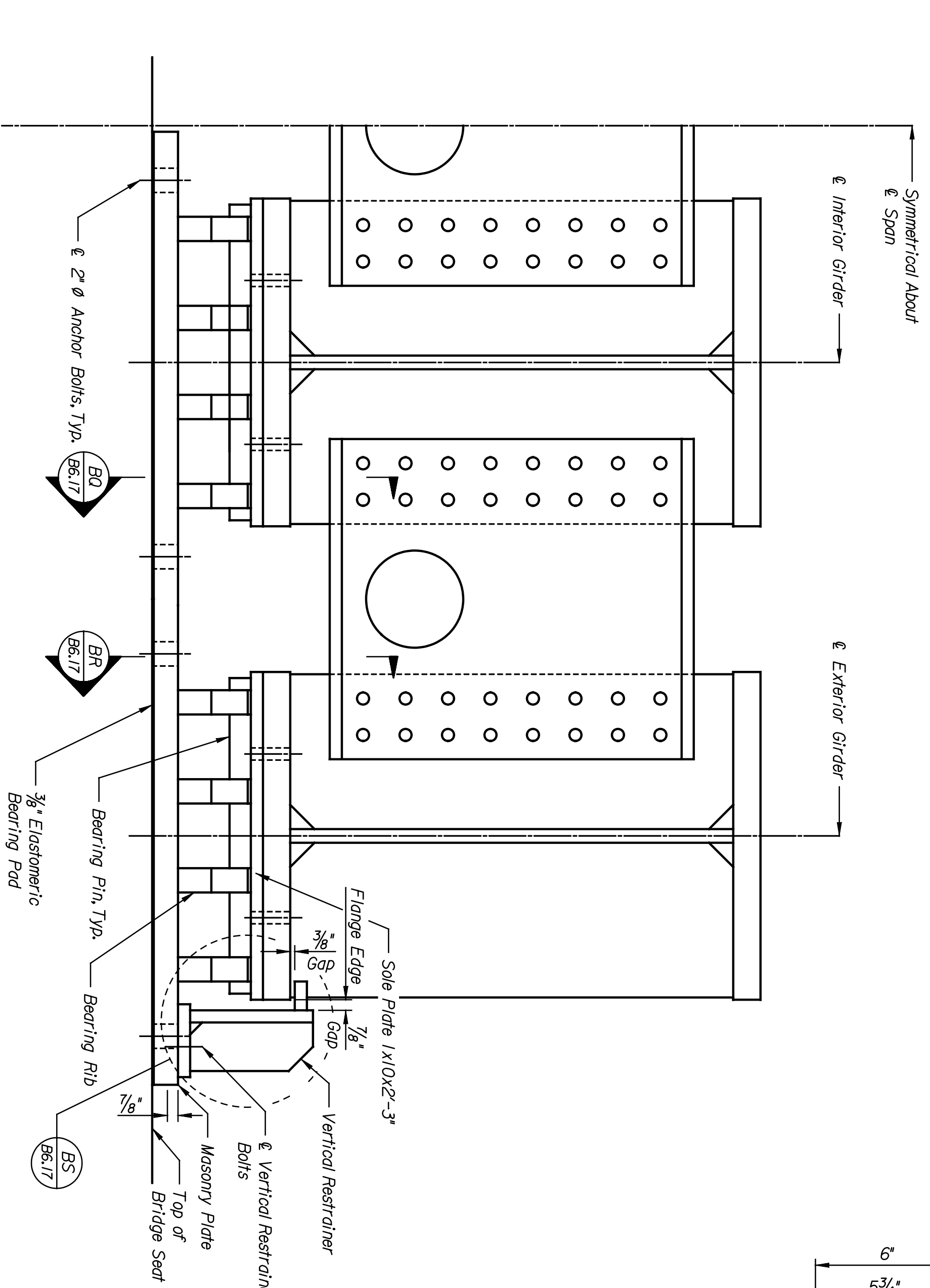


BY	DATE

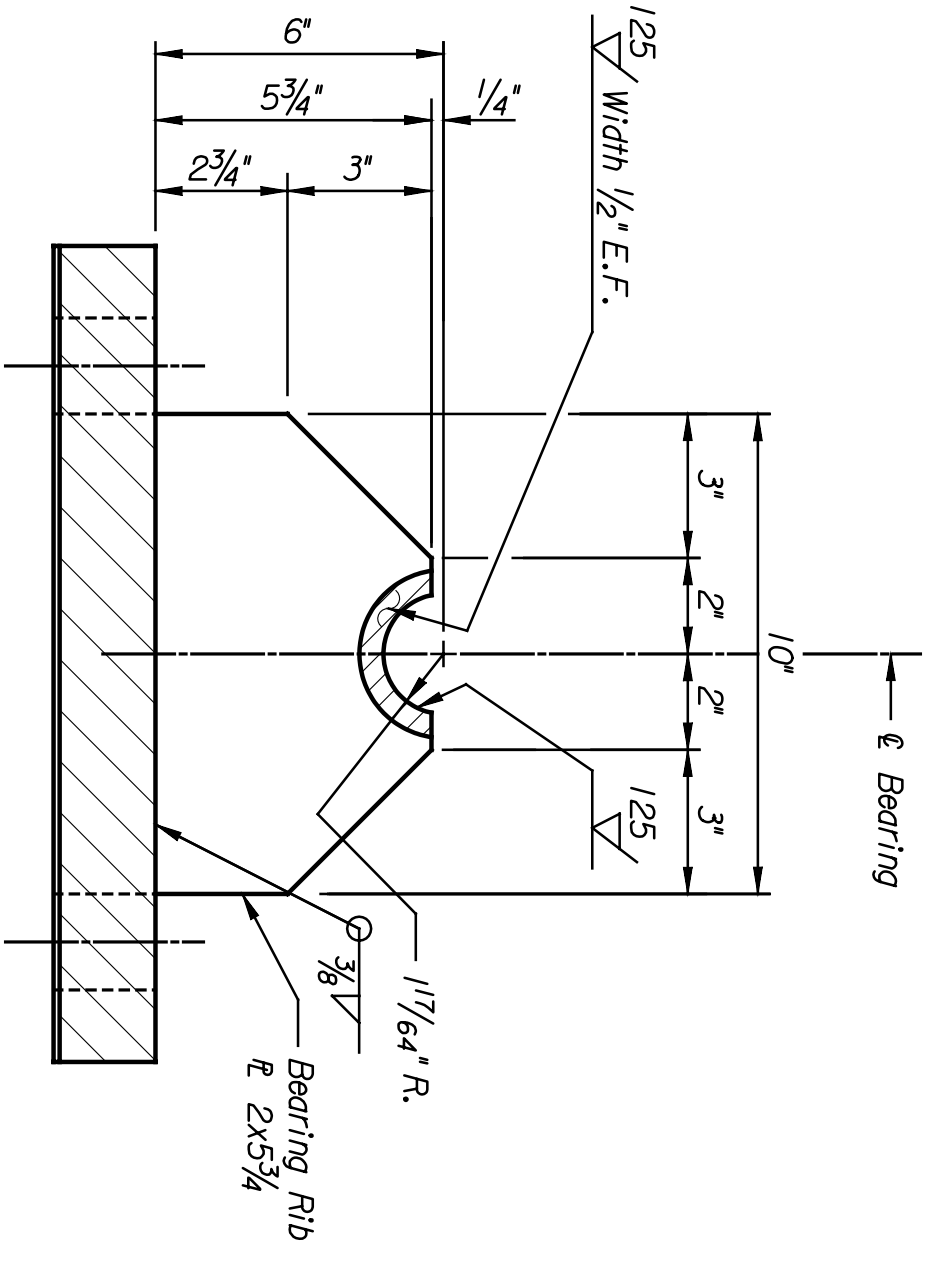
Plotted on: 04-JAN-2005 13:27
 Plot Queue: #queue#
 Plot Scale: #scale# Pen Table: #pentables#
 Design Filename: k:\b29049\BridgesDec2004\Bse Bld\01s+Street\drawings\fl6.dgn



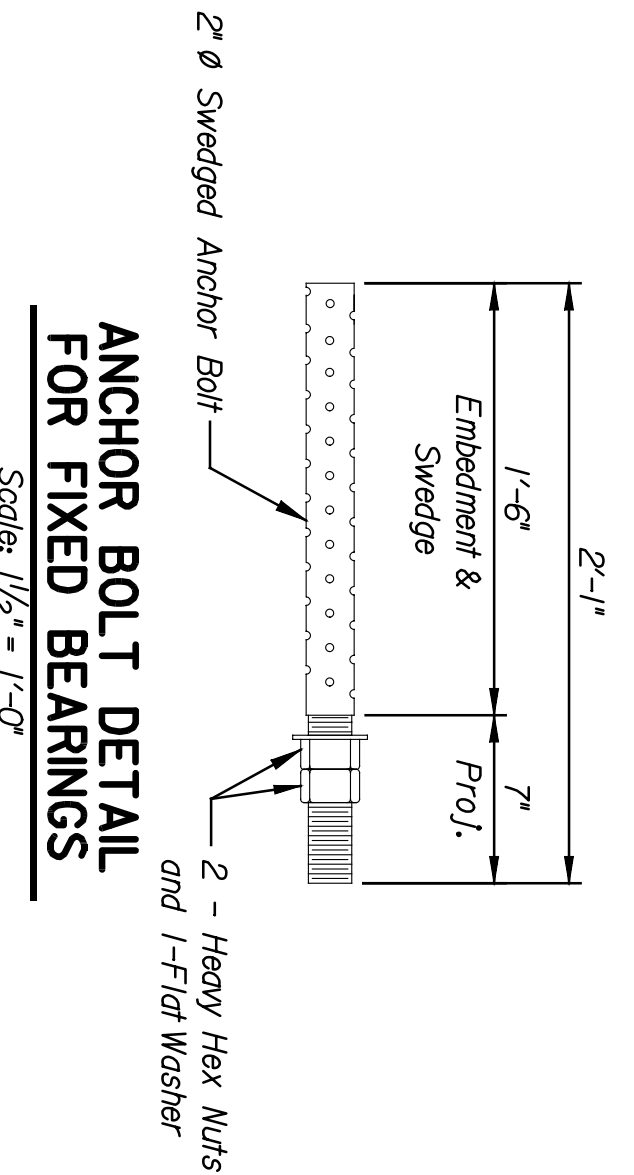
FIXED BEARING PLAN
 Scale: 1/2" = 1'-0"



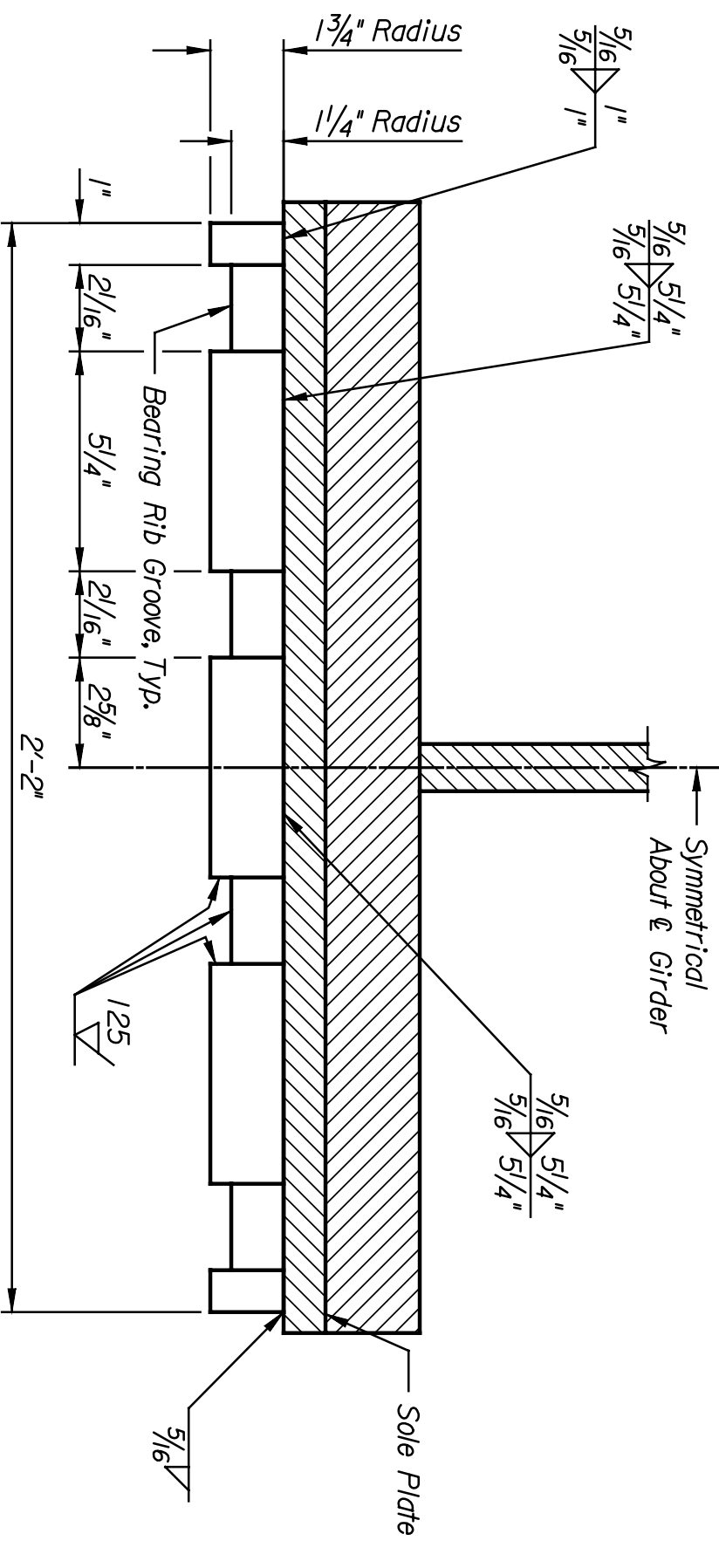
FIXED BEARING ELEVATION
 Scale: 1/2" = 1'-0"



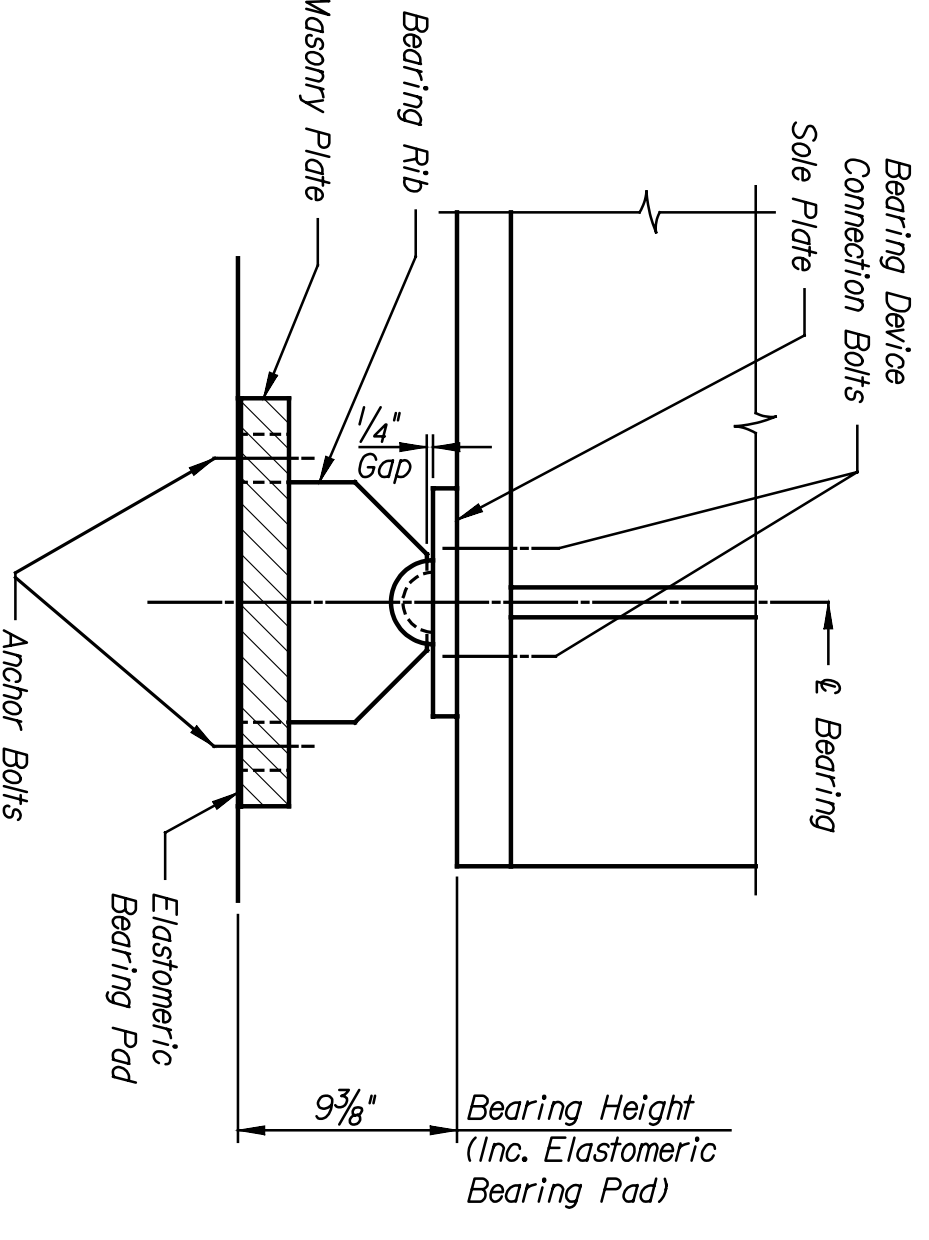
DETAIL BQ
 Scale: 3" = 1'-0"



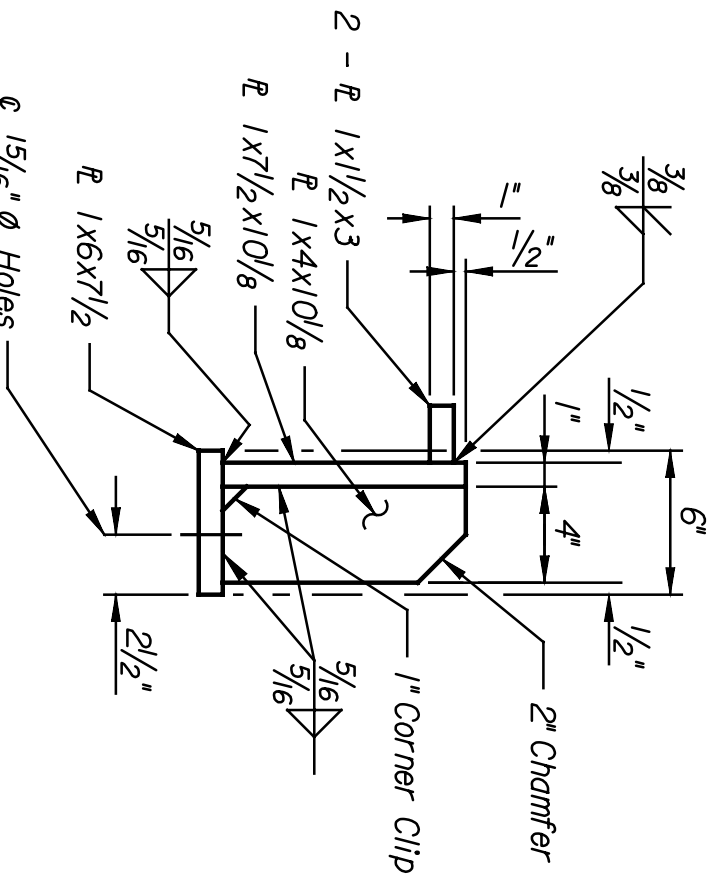
Scale: 1/2" = 1'-0"



DETAIL BP
 Scale: 3" = 1'-0"



SECTION BR
 Scale: 1/2" = 1'-0"



DETAIL BS
 Scale: 1/2" = 1'-0"

PNTEB
 ARCHITECTS ENGINEERS PLANNERS

This sheet designed by:

LOCATION:	PROJECT NO.	YEAR	SHEET NO.	TOTAL SHEETS
RMSF BR. 20.2	472-84071	2005	B6.17	
WICHITA, KS				

SHEET NO.		OF	SCALE	AS NOTED	APP'D.
DESIGNED	EKO	1	DETAILED	DJW	QUANTITIES
DESIGN GR.	DWH		DETAIL GR.	EDT	QUANTITIES

CITY OF WICHITA

WICHITA CENTRAL CORRIDOR

1ST STREET
 FIXED BEARING DEVICE DETAILS

NOTES:
 Refer to Expansion Bearings for additional notes.