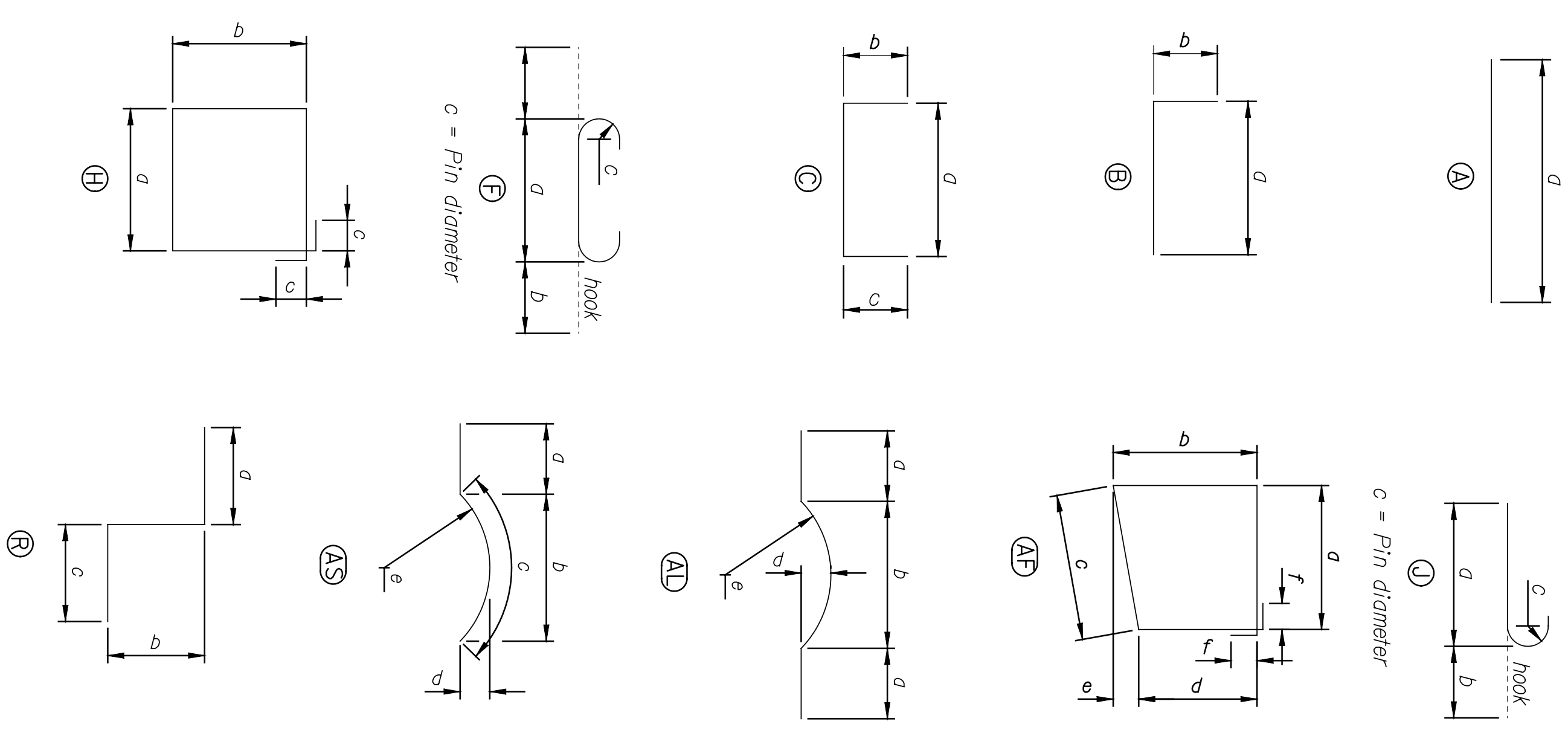


BY	DATE

EPOXY COATED	DESIGN MARK	BENDING MARK	SIZE	NO.	LENGTH	DIMENSIONS					
						d	b	c	d	e	f
	5F01	C	5	156	4'-4"	3'-4"	6'	6'			
	6F01	A	6	30	48'-3"	48'-3"					
	6F03	A	6	12	2'-11"	2'-11"					
	6F05	A	6	1	1'-0"	1'-0"					
	6F09	B	6	2	10'-8"	5'-8"	5'-0"				
	6F10	A	6	4	5'-8"	5'-8"					
X	6F11	A	6	6	3'-0"	3'-0"					
	6F12	A	6	19	3'-0"	3'-0"					
X	8F01	A	8	73	5'-0"	5'-0"					
	8F02	A	8	12	19'-2"	19'-2"					
	8F03	A	8	79	16'-2"	16'-2"					
	10F01	F	10	70	19'-0"	16'-2"	1'-5"	10 3/4"			
	10F03	F	10	8	22'-0"	19'-2"	1'-5"	10 3/4"			
	11F03	J	10	40	13'-1"	11'-6"	1'-7"	1'-0"			
	11F02	J	11	81	21'-11"	20'-4"	1'-7"	1'-0"			
	5F01	C	5	84	4'-4"	3'-4"	6'	6'			
	6F02	A	6	30	24'-2"	24'-2"					
	6F03	A	6	6	2'-11"	2'-11"					
	6F04	A	6	1	2'-4"	2'-4"					
X	8F01	A	8	45	5'-0"	5'-0"					
	8F03	A	8	49	16'-2"	16'-2"					
	10F01	F	10	43	19'-0"	16'-2"	1'-5"	10 3/4"			
	11F02	J	11	49	21'-11"	20'-4"	1'-7"	1'-0"			
	11F03	J	11	24	13'-1"	11'-6"	1'-7"	1'-0"			
	4A01	C	4	6	5'-9"	3'-9"	1'-0"	1'-0"			
	4A02	C	4	4	5'-1"	3'-1"	1'-0"	1'-0"			
	4A03	C	4	5	4'-4"	2'-4"	1'-0"	1'-0"			
X	4A04	C	4	28	5'-8"	3'-8"	1'-0"	1'-0"			
	4A30	C	4	4	5'-8"	2'-8"	1'-6"	1'-6"			
	4A31	A	4	5	1'-10"	1'-10"					
	5A01	A	5	10	42'-9"	42'-9"					
	5A03	A	5	4	8'-3"	8'-3"					
	5A04	A	5	4	1'-8"	1'-8"					
	5A05	A	5	4	6'-8"	6'-8"					
X	5A06	AL	5	17	15'-0"	2'-10"	9'-0 7/8"	10'-10 7/8"			
X	5A07	AL	5	34	15'-0"	2'-10"	9'-0 7/8"	10'-10 7/8"			
	5A08	AS	5	17	42'-9"	42'-9"					
X	5A09	AS	5	17	5'-4"	2'-10"	2'-4"	2'-6"			
X	5A13	AL	5	28	16'-0"	3'-4"	9'-0 7/8"	10'-10 7/8"			
X	5A14	A	5	3	15'-8"	15'-8"					
X	5A15	B	5	17	7'-1"	6'-3"	10'				
X	5A16	A	5	2	5'-10"	5'-10"					
	5A30	B	5	8	3'-9"	2'-11"	10'				
	5A31	A	5	5	5'-0"	5'-0"					
	5A32	B	5	8	5'-10"	5'-0"					
	6A01	A	6	5	43'-3"	43'-3"					
	6A02	C	6	41	3'-2"	1'-2"					
	6A03	A	6	122	8'-9"	8'-9"					

EPOXY COATED	DESIGN MARK	BENDING MARK	SIZE	NO.	LENGTH	DIMENSIONS					
						d	b	c	d	e	f
	6A04	C	6	41	6'-8"	4'-8"	1'-0"	1'-0"			
X	6A05	A	6	37	16'-7"	16'-7"					
X	6A09	A	6	20	26'-10"	26'-10"					
	6A10	A	6	19	26'-10"	26'-10"					
	6A32	C	6	6	4'-11"	2'-11"	1'-0"	1'-0"			
	6A33	A	6	18	6'-10"	6'-10"					
	8A01	B	8	22	7'-5"	6'-1"	1'-4"				
X	9A01	B	9	38	17'-3"	15'-8"	1'-7"				
	4A30	C	4	4	5'-8"	2'-8"	1'-6"	1'-6"			
	4A31	A	4	5	1'-10"	1'-10"					
	5A03	A	5	4	8'-3"	8'-3"					
X	5A06	AL	5	17	15'-0"	2'-10"	9'-0 7/8"	10'-10 7/8"			
X	5A10	AS	5	17	11'-11"	2'-10"	8'-9 1/2"	9'-0 7/8"			
	5A11	A	5	10	24'-2"	24'-2"			11 7/8"	10'-10 7/8"	
	5A12	A	5	17	24'-2"	24'-2"			3 3/8"	10'-10 7/8"	
	5A30	B	5	8	3'-9"	2'-11"	10'				
	5A31	A	5	5	5'-0"	5'-0"					
	5A32	B	5	8	5'-10"	5'-0"	10'				
	5A33	A	5	12	10'-1"	10'-1"					
	5A34	B	5	25	4'-0"	3'-2"	10'				
	5A35	A	5	2	6'-7"	6'-7"					
	5A36	A	5	1	10'-1"	10'-1"					
	5A37	AF	5	11	14'-2"	10'-1"	5'-7"	5'-2"	5'	6'	
	6A02	C	6	25	3'-2"	1'-2"	1'-0"	1'-0"			
	6A03	A	6	74	8'-9"	8'-9"					
	6A04	C	6	25	6'-8"	4'-8"	1'-0"	1'-0"			
X	6A05	A	6	23	16'-7"	16'-7"					
	6A06	A	6	5	24'-2"	24'-2"					
	6A32	C	6	6	4'-11"	2'-11"	1'-0"	1'-0"			
	6A33	A	6	18	6'-10"	6'-10"					



Note:  
 Bar dimensions are out-to-out.

This sheet designed by:  
**PNTEB**  
 ARCHITECTS ENGINEERS PLANNERS

LOCATION: RMF BR 20.2 WICHITA, KS  
 SCALE: AS NOTED  
 SHEET NO. 05  
 DESIGNED: EKD  
 CHECKED: DMH  
 DRAWN: DMH  
 DATE: \_\_\_\_\_  
 REVISIONS: \_\_\_\_\_  
 BY: \_\_\_\_\_  
 APP'D: \_\_\_\_\_

CITY OF WICHITA  
 WICHITA CENTRAL CORRIDOR  
 1ST STREET  
 ABUTMENT NO. 2 REINFORCING DETAILS

STATE	PROJECT NO.	YEAR	SHEET NO.	TOTAL SHEETS
KANSAS	472-84071	2005	B6.27	