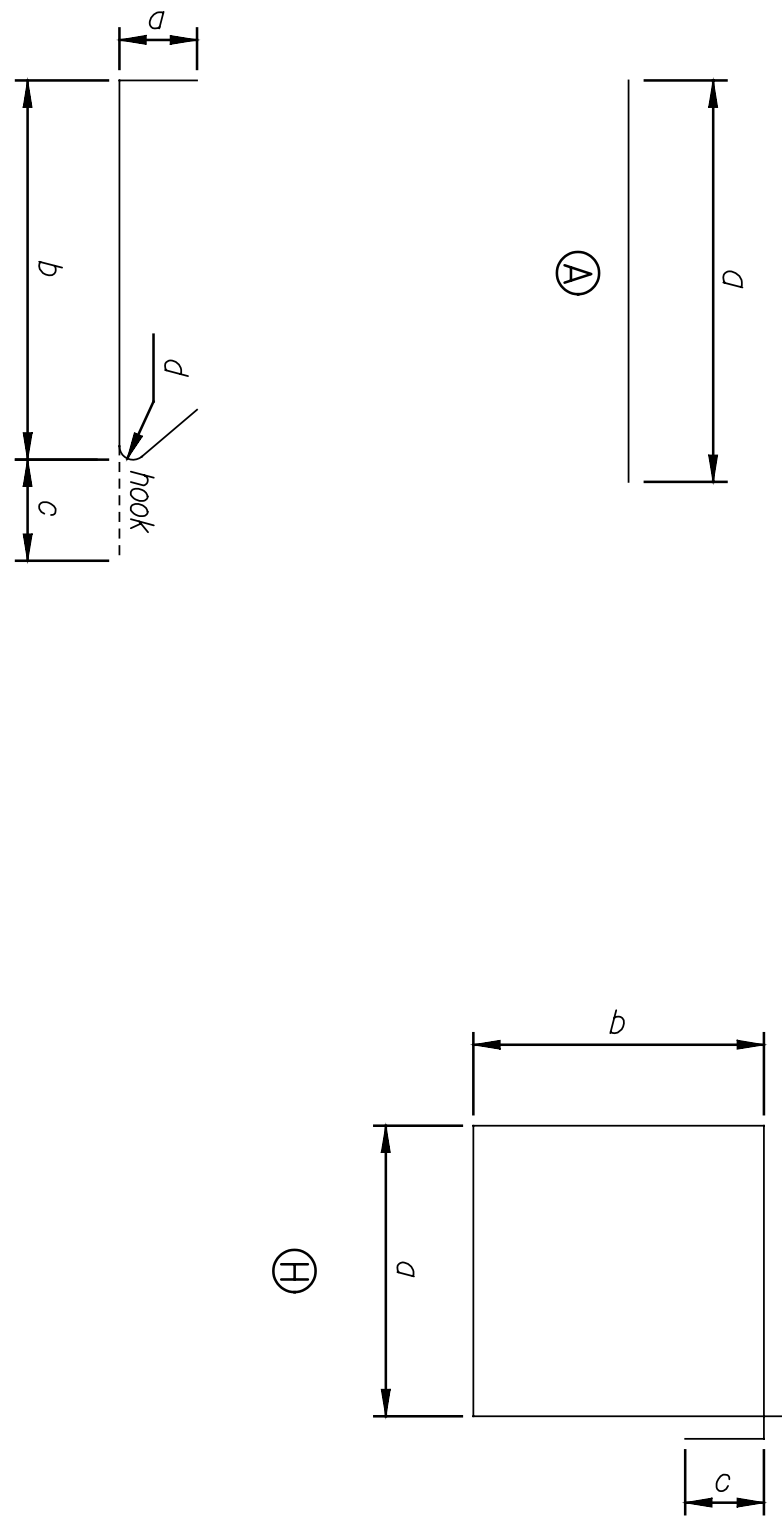
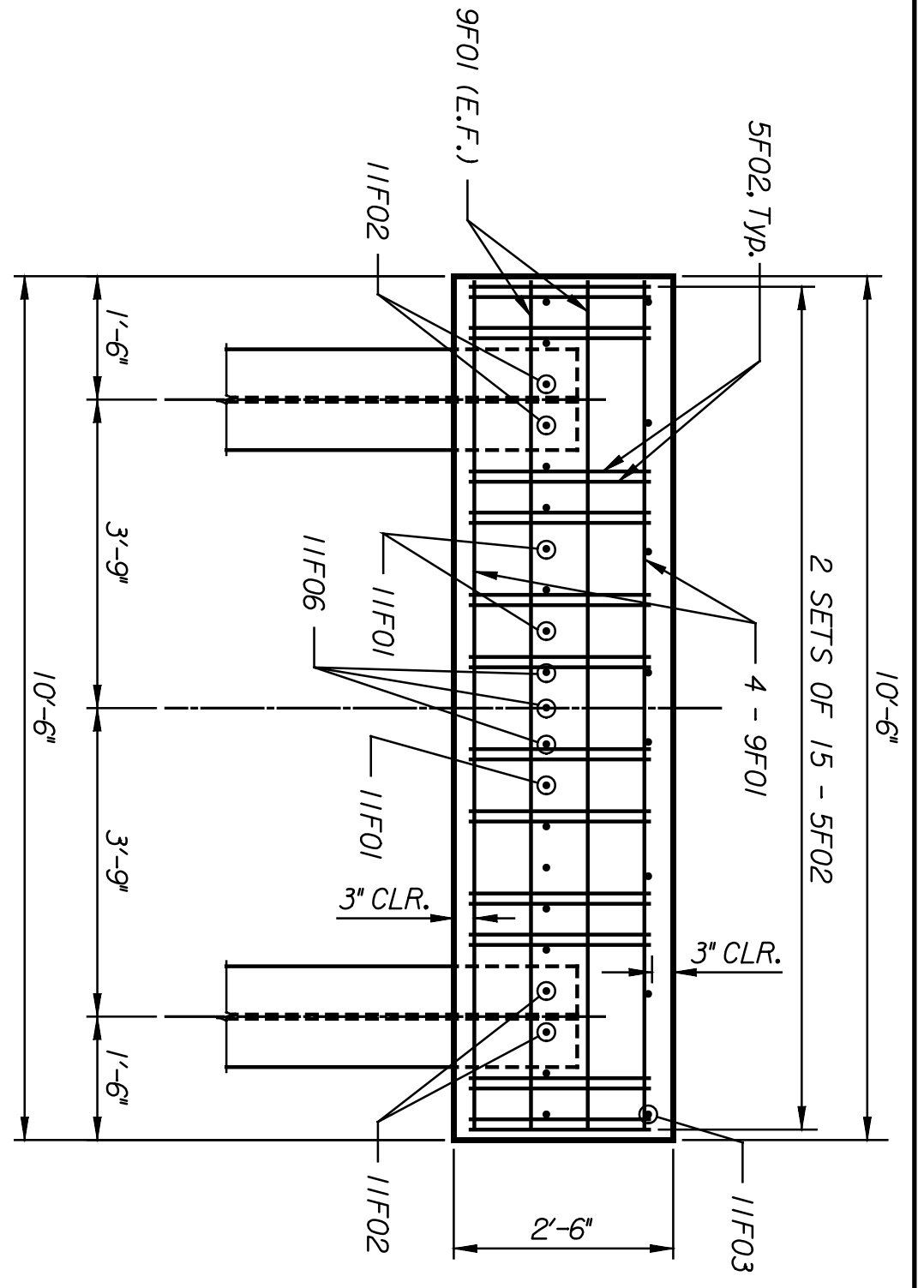


BY	DATE

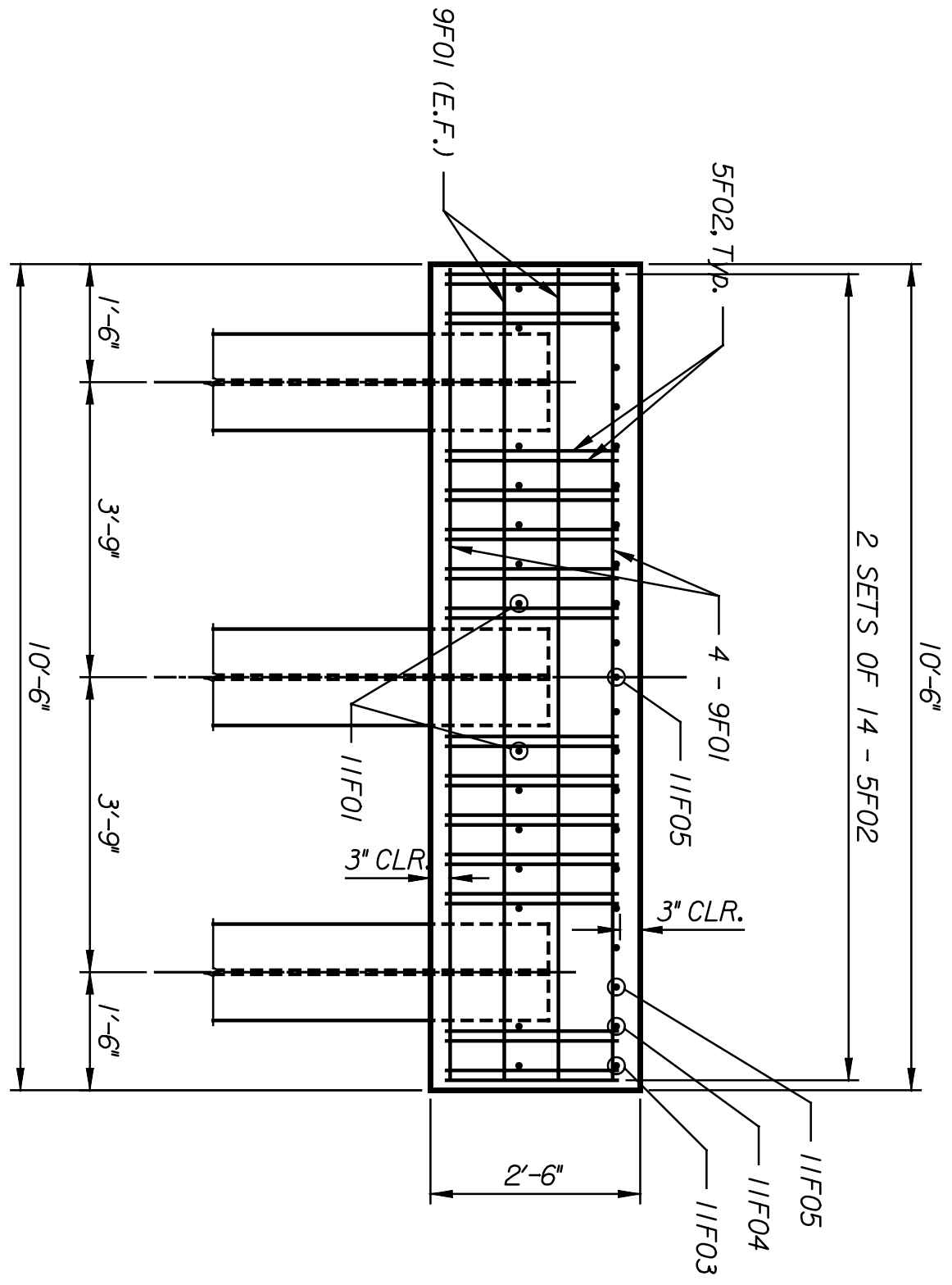
TRACK 5 UTILITY PROTECTION		TRACK 4 UTILITY PROTECTION		DIMENSIONS						
EPOXY COATED	DESIGN MARK	BENDING MARK	SIZE	NO.	LENGTH	D	b	c	d	e
*	4F01	S	4	804	2'-0"	4 1/2"	1'-3"	4 1/2"	2"	
*	5F01	A	5	96	10'-0"	10'-0"				
*	5F02	H	5	76	10'-2"	2'-6"	2'-1"	6"		
*	9F01	A	9	36	10'-0"	10'-0"				
*	11F01	A	11	14	32'-6"	32'-6"				
*	11F02	A	11	8	13'-4"	13'-4"				
*	11F03	A	11	8	32'-6"	32'-6"				
*	11F04	A	11	6	16'-0"	16'-0"				
*	11F05	A	11	7	20'-0"	20'-0"				
*	11F06	A	11	6	14'-2"	14'-2"				
*	4F01	S	4	804	2'-0"	4 1/2"	1'-3"	4 1/2"	2"	
*	5F01	A	5	96	10'-0"	10'-0"				
*	5F02	H	5	76	10'-2"	2'-6"	2'-0"	6"		
*	9F01	A	9	36	10'-0"	10'-0"				
*	11F01	A	11	14	32'-6"	32'-6"				
*	11F02	A	11	8	13'-4"	13'-4"				
*	11F03	A	11	8	32'-6"	32'-6"				
*	11F04	A	11	6	16'-0"	16'-0"				
*	11F05	A	11	7	20'-0"	20'-0"				
*	11F06	A	11	6	14'-2"	14'-2"				



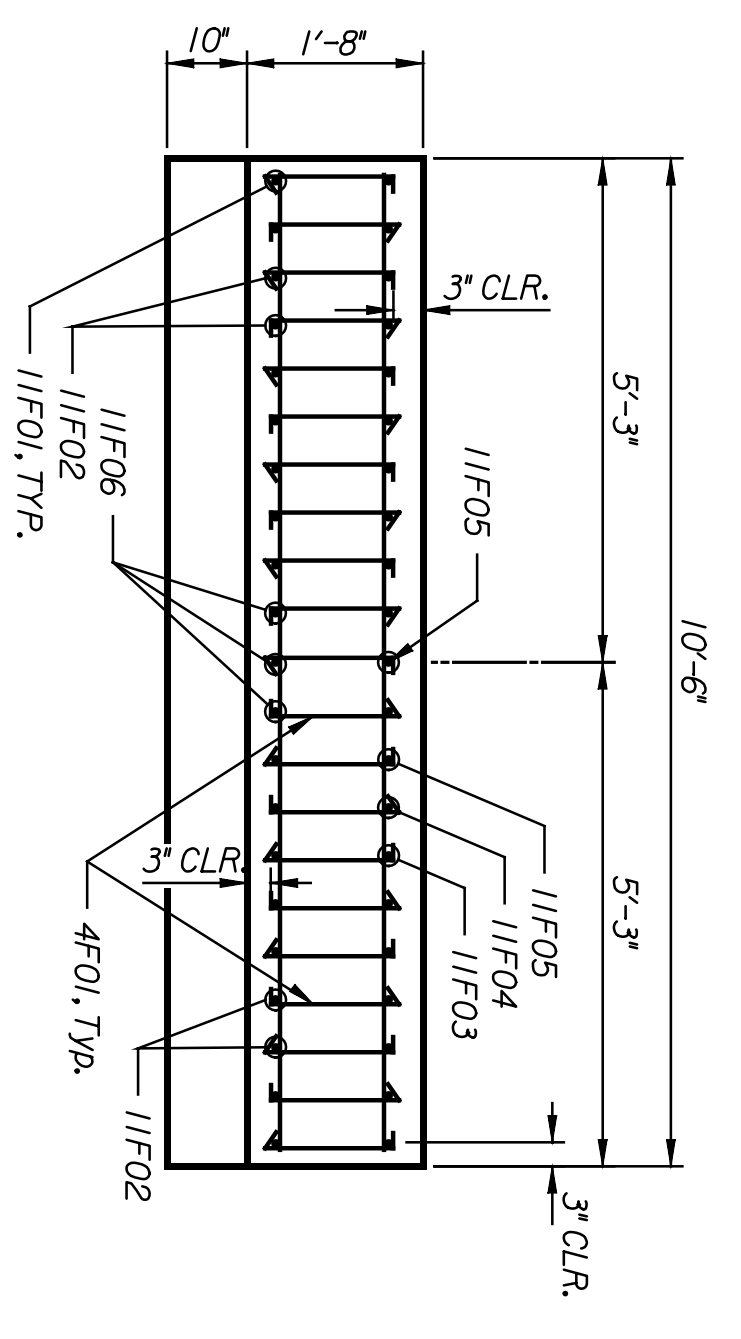
d = pin diameter
 Note: Bar dimensions are out-to-out.



SECTION A
 Scale: 1/2" = 1'-0"
 B9.3



SECTION B
 Scale: 1/2" = 1'-0"
 B9.3



SECTION C
 Scale: 1/2" = 1'-0"
 B9.3

This sheet designed by:
PNTB
 ARCHITECTS ENGINEERS PLANNERS

STATE	PROJECT NO.	YEAR	SHEET NO.	TOTAL SHEETS
KANSAS	472-84071	2005	B9.4	

CITY OF WICHITA			
11 TH STREET			
UTILITY PROTECTION DETAILS			
SHEET NO.	OF	SCALE AS NOTED	APP'D.
DESIGNED	BY	DETAILED	BY
CHECKED	BY	QUANTITIES	BY
DESIGN GR.	BY	DRAWN	BY