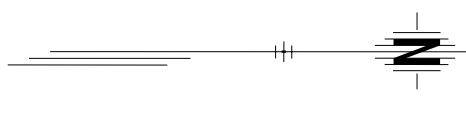
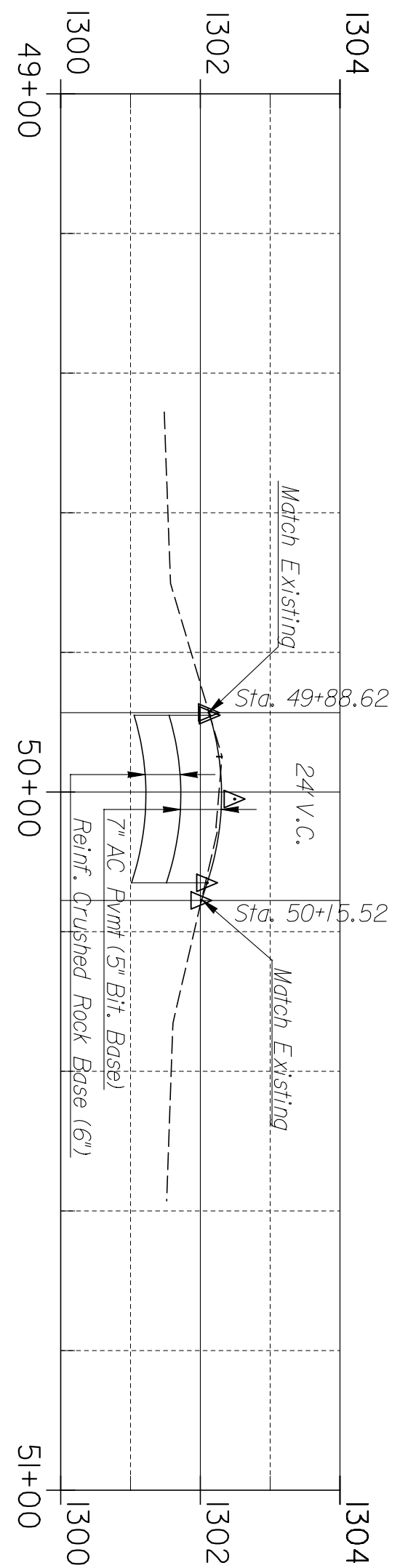
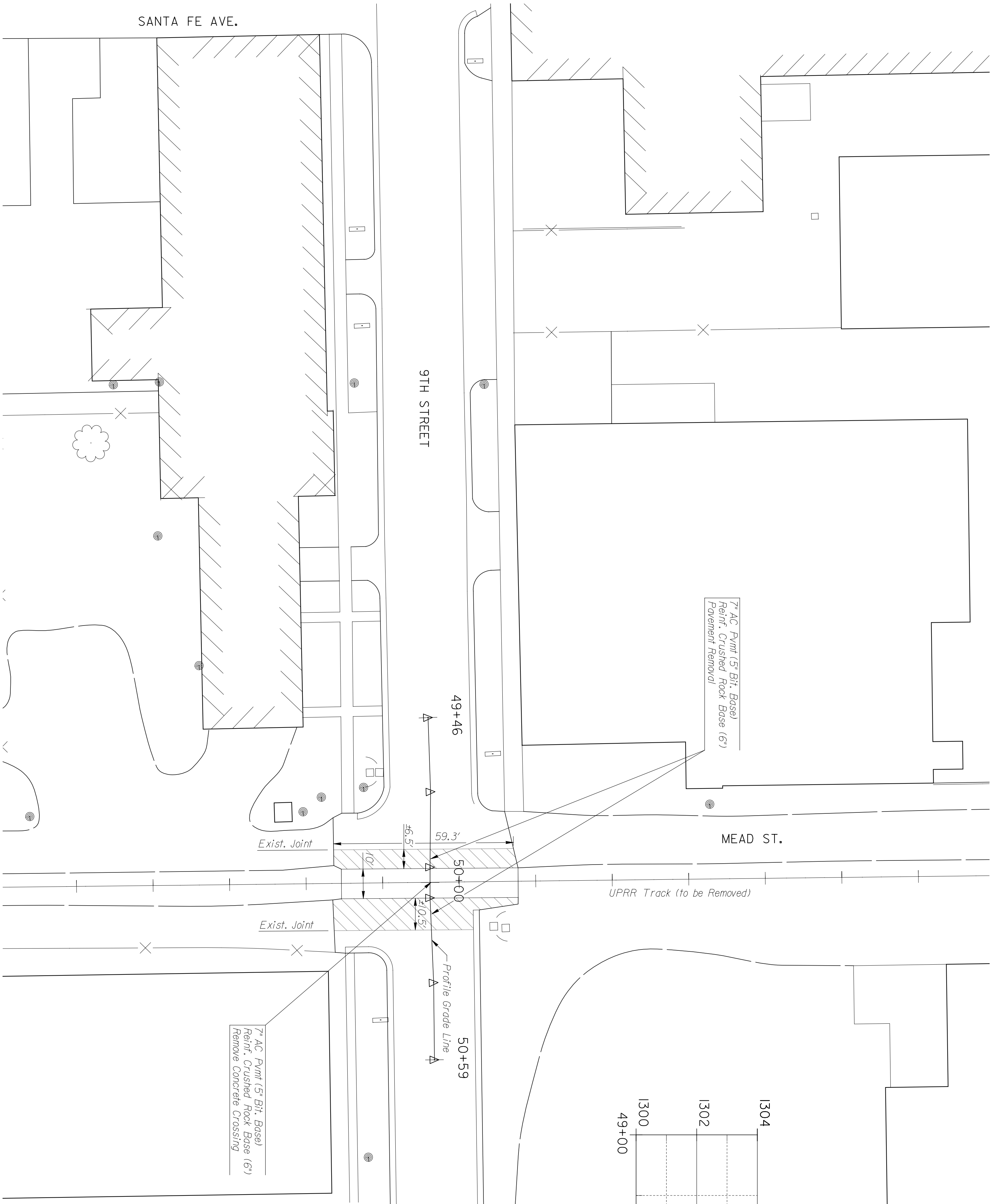


	BY	DATE

Plotted on: Wednesday January 05, 2005 11:11 AM
 adayhoff Plot Queue: \\cbsw100\KC029049-PS
 Plot Scale: 20,000000h,000000 Pen Table: \\ovpw00\Jobs\29049\Highway\Llibrary\lplotpen\half.pen
 Design Filename: J:\29049\CD\plan\wc_UPRRCross_9th.dgn

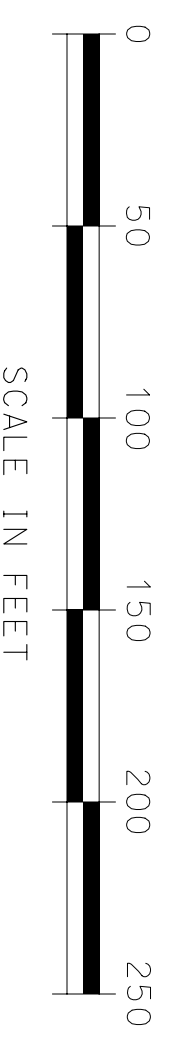


STATE	PROJECT NO.	YEAR	SHEET NO.	TOTAL SHEETS
KANSAS	472-84071	2005	SIL4	

This sheet designed by:



Note:
 To be coordinated with the UPRR Track Removal plans, see Sheet R.3/9.



3				
2				
1				
NO.	DATE	REVISIONS	BY	APP'D.

CITY OF WICHITA
 WICHITA CENTRAL CORRIDOR
 UPRR CROSSING PLAN
 9TH STREET

SHEET NO.	OF	SCALE	TITLE	APP'D.
DESIGNED	OKS	DETAILED	OKS	QUANTITIES
DESIGN GR.	AMD	DETAIL GR.	AMD	QUANTITIES
				TRACED
				TRACE GR.