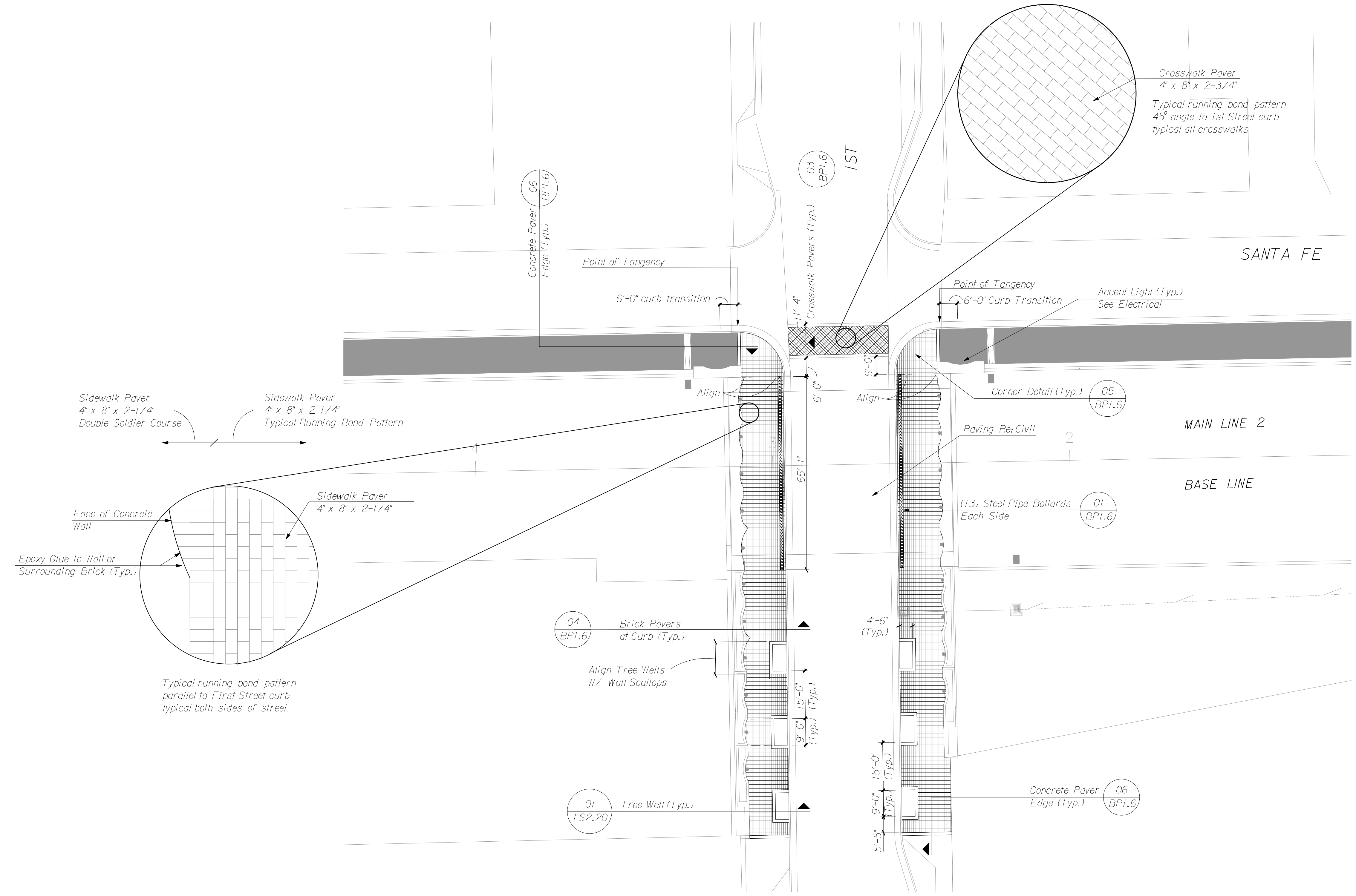


STATE	PROJECT NO.	YEAR	SHEET NO.	TOTAL SHEETS
KANSAS	472-84071	2005	BP1.5	

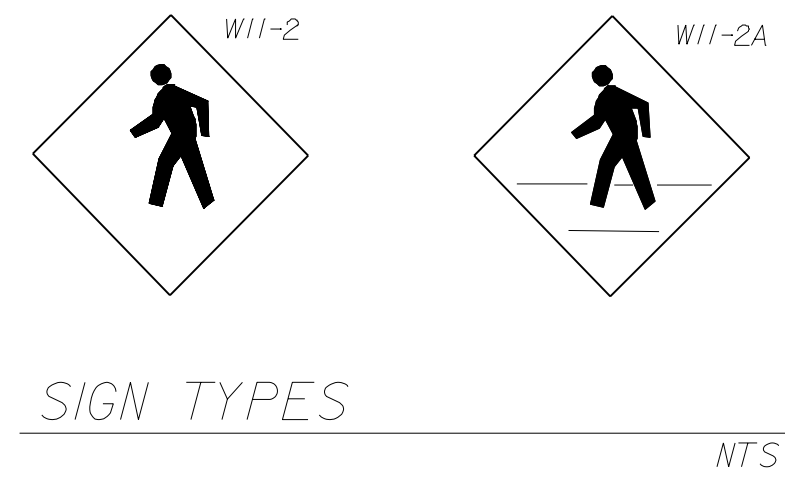
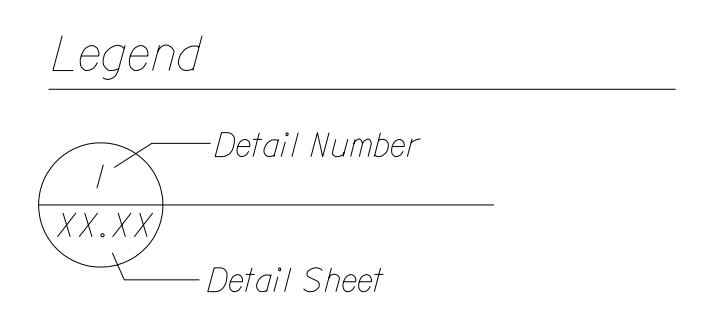
### Alternate #2 and #3

- Notes:
1. This sheet to show brick paver locations, layout, & patterns only; refer to civil for all other paving.
  2. Refer to electrical for accent light type & wiring schedule.
  3. The concrete edge used to restrain pavers is subsidiary to the paver installation.

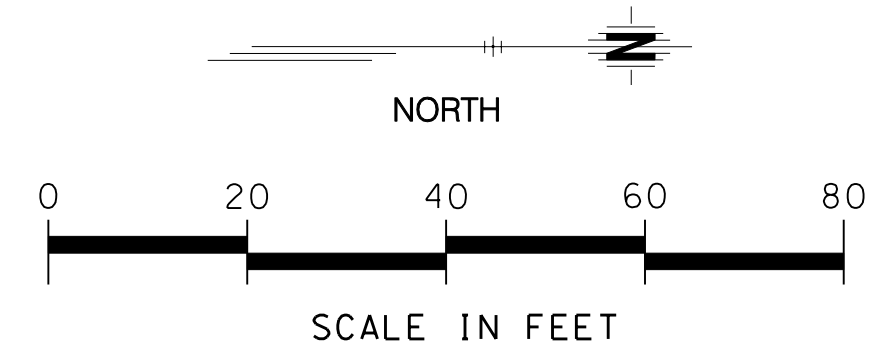
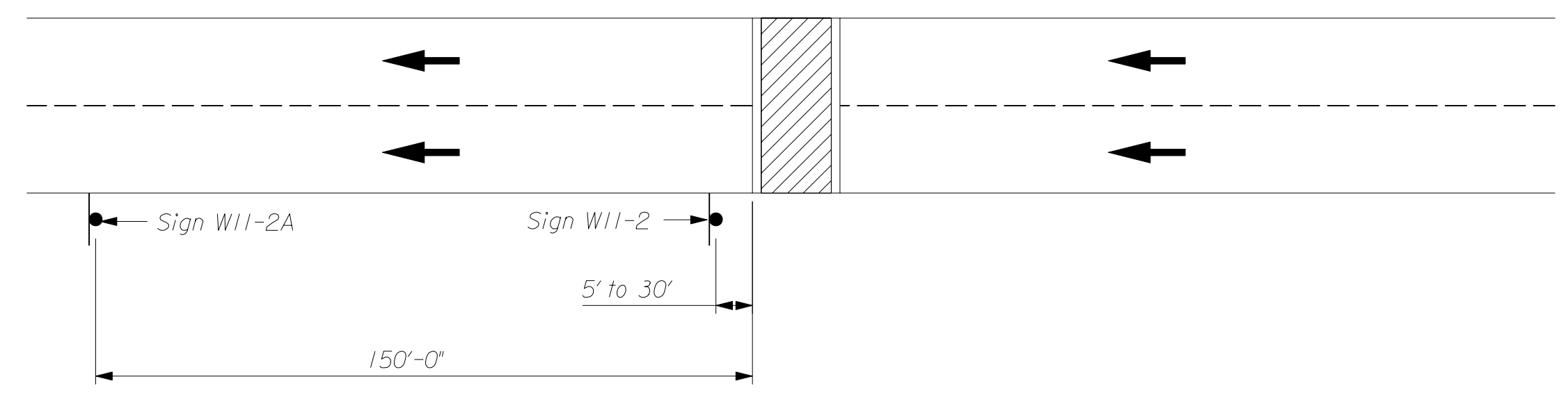


ESTIMATE OF SHEET QUANTITIES			
SPEC. NO	ITEM (HARDSCAPE)	QUANTITY	UNIT
400-01	Crosswalk Pavers	316	SF
400-01	Sidewalk Pavers	4,319	SF
	Crosswalk Signs	2	EA

ESTIMATE OF SHEET QUANTITIES			
SPEC. NO	ITEM (HARDSCAPE)	QUANTITY	UNIT
900-10	Steel Pipe Bollard (6", Set of 5)	26	EA



NOTE: EXACT SIGN LOCATION SHALL BE DIRECTED BY THE ENGINEER.



3				
2				
1				
NO.	DATE	REVISIONS	BY	APP'D
CITY OF WICHITA				
WICHITA CENTRAL CORRIDOR				
<b>1ST STREET PAVER PLAN</b>				
SHEET NO. 5 OF	SCALE: 1" = 20'-0"	APP'D:	QUANTITIES: JRK, KA	TRACED:
DESIGNED: JF	DETAILED: JRK, KA	DESIGN CK.: WP	DETAIL CK.: WSN	TRACE CK.:

This sheet designed by:

**HNTB**  
ARCHITECTS ENGINEERS PLANNERS