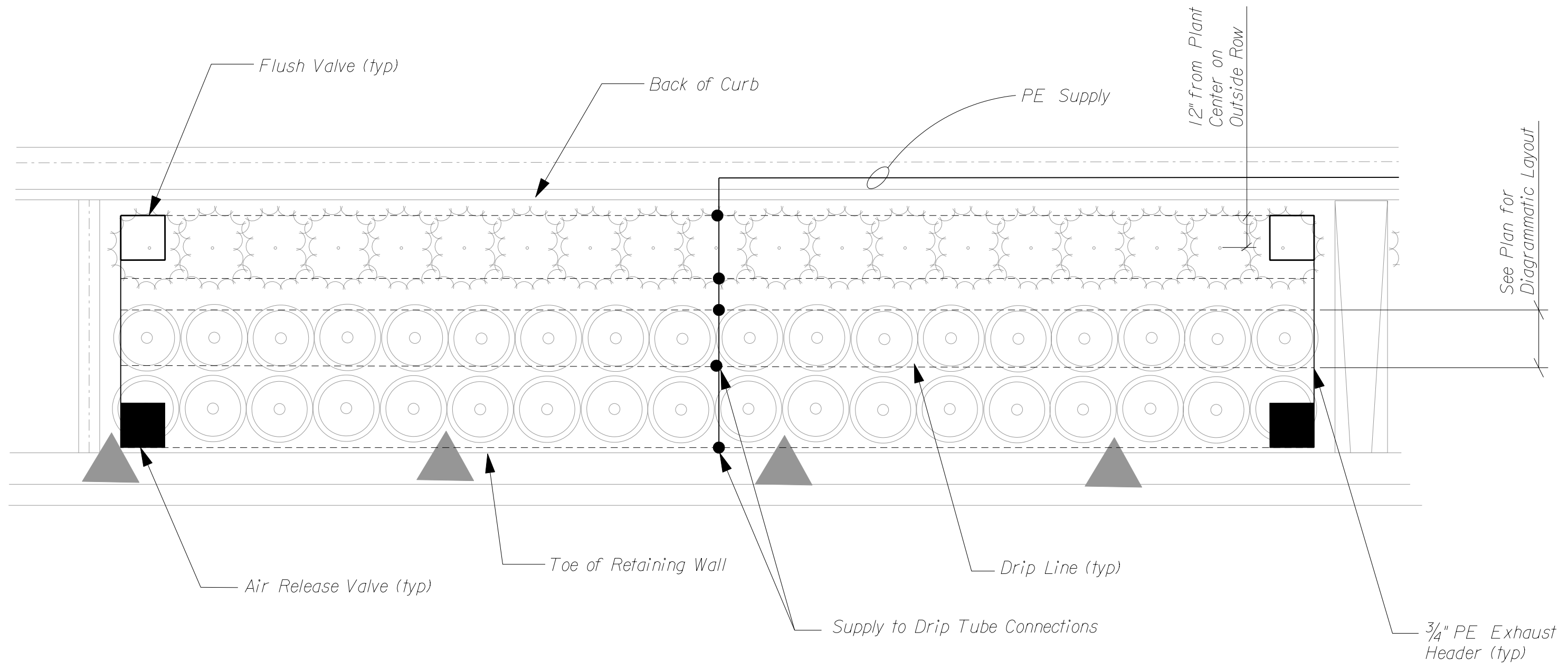
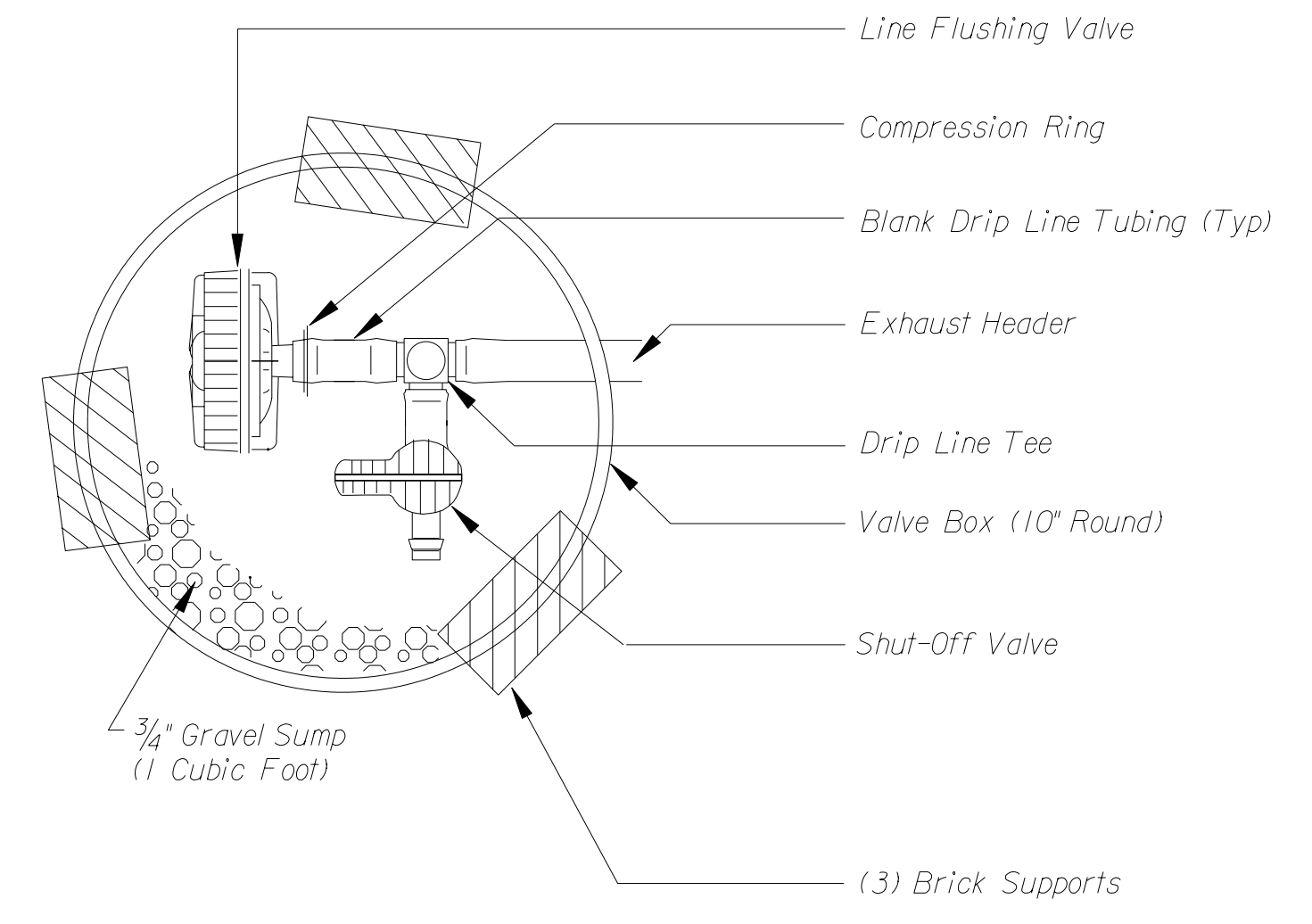


STATE	PROJECT NO.	YEAR	SHEET NO.	TOTAL SHEETS
KANSAS	472-84071	2005	LS3.13	

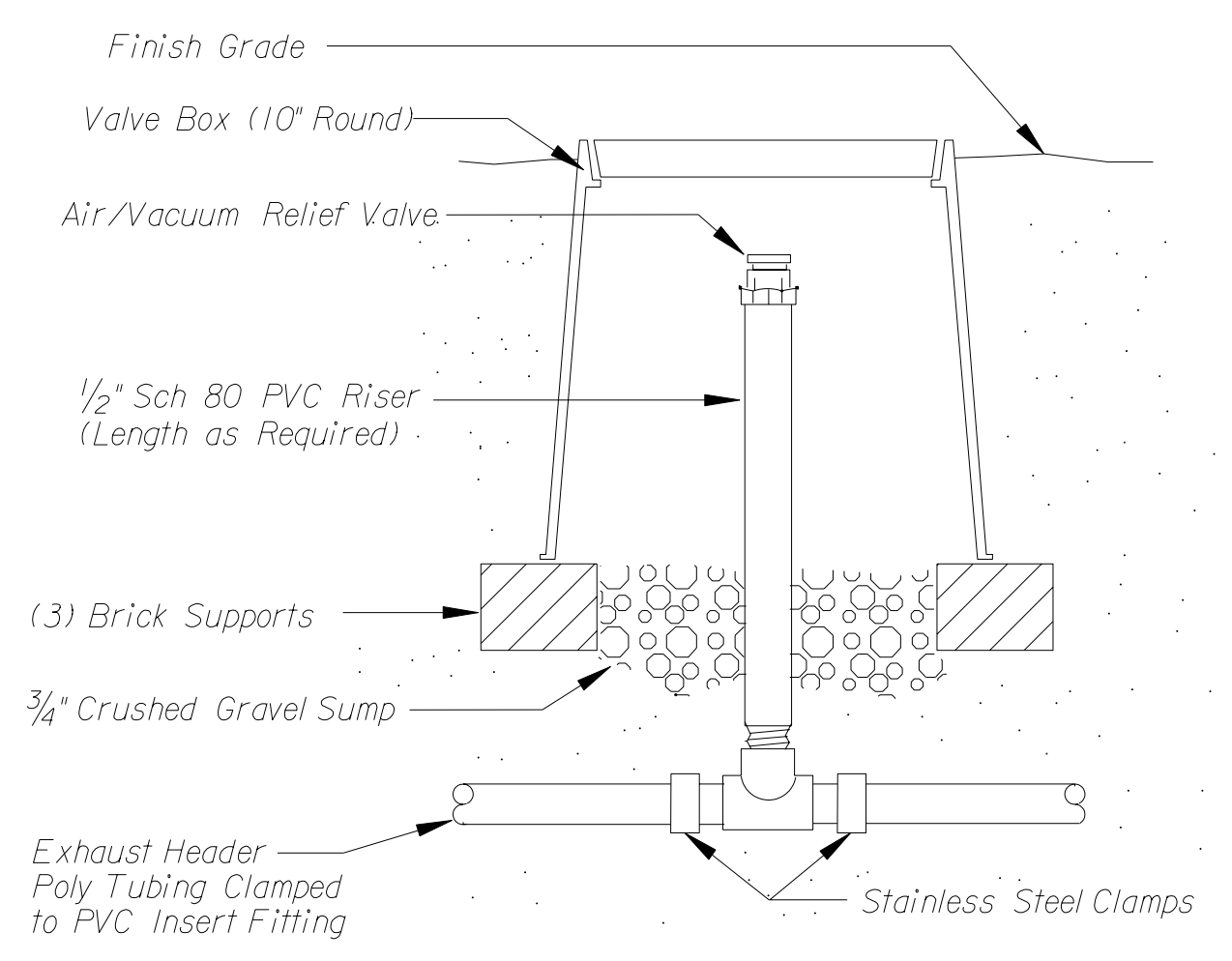
Alternate #4



01 Sample Drip Line Layout Plan NTS

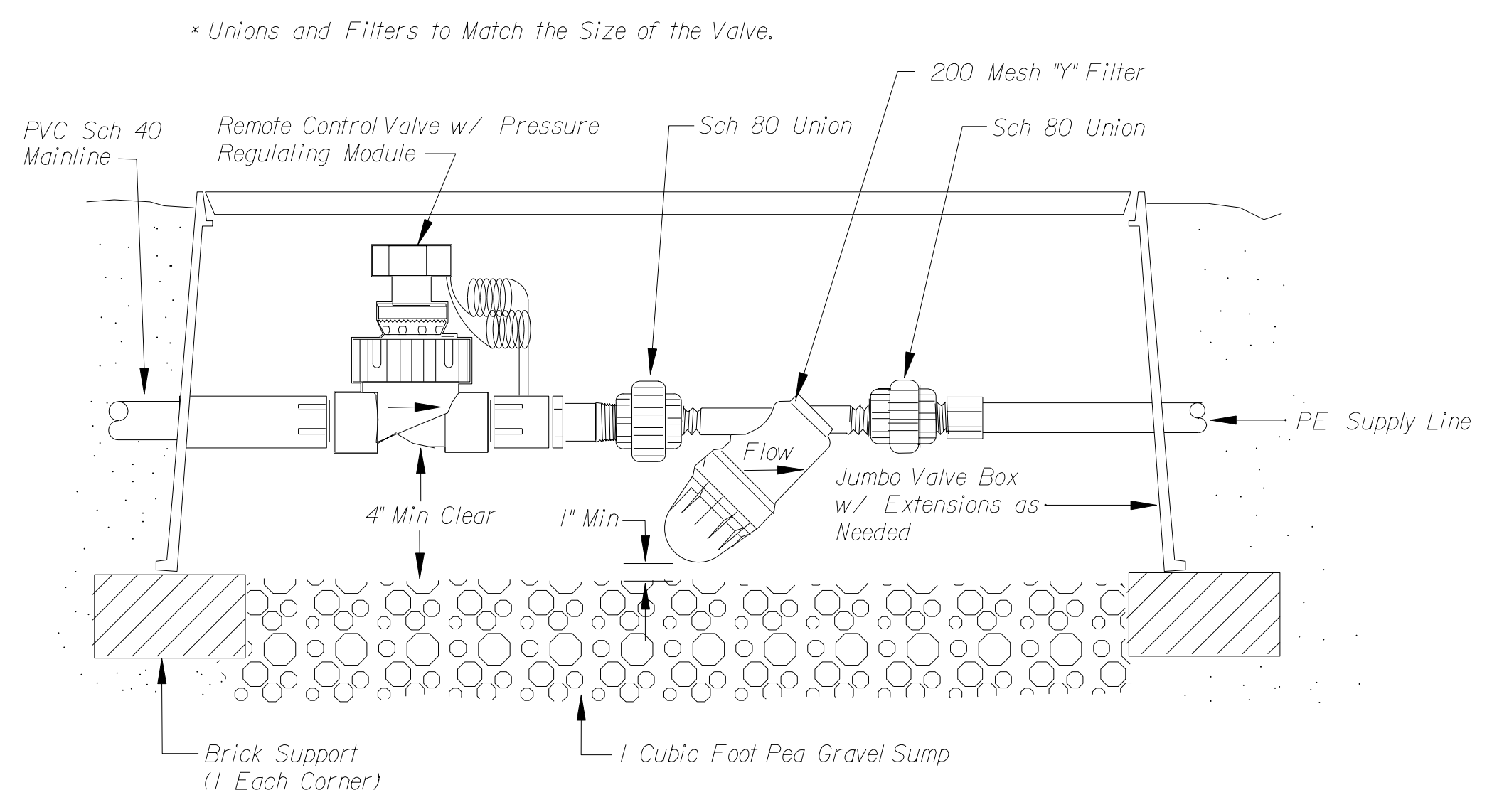


02 Line Flushing Valve w/ Shut-Off Valve NTS

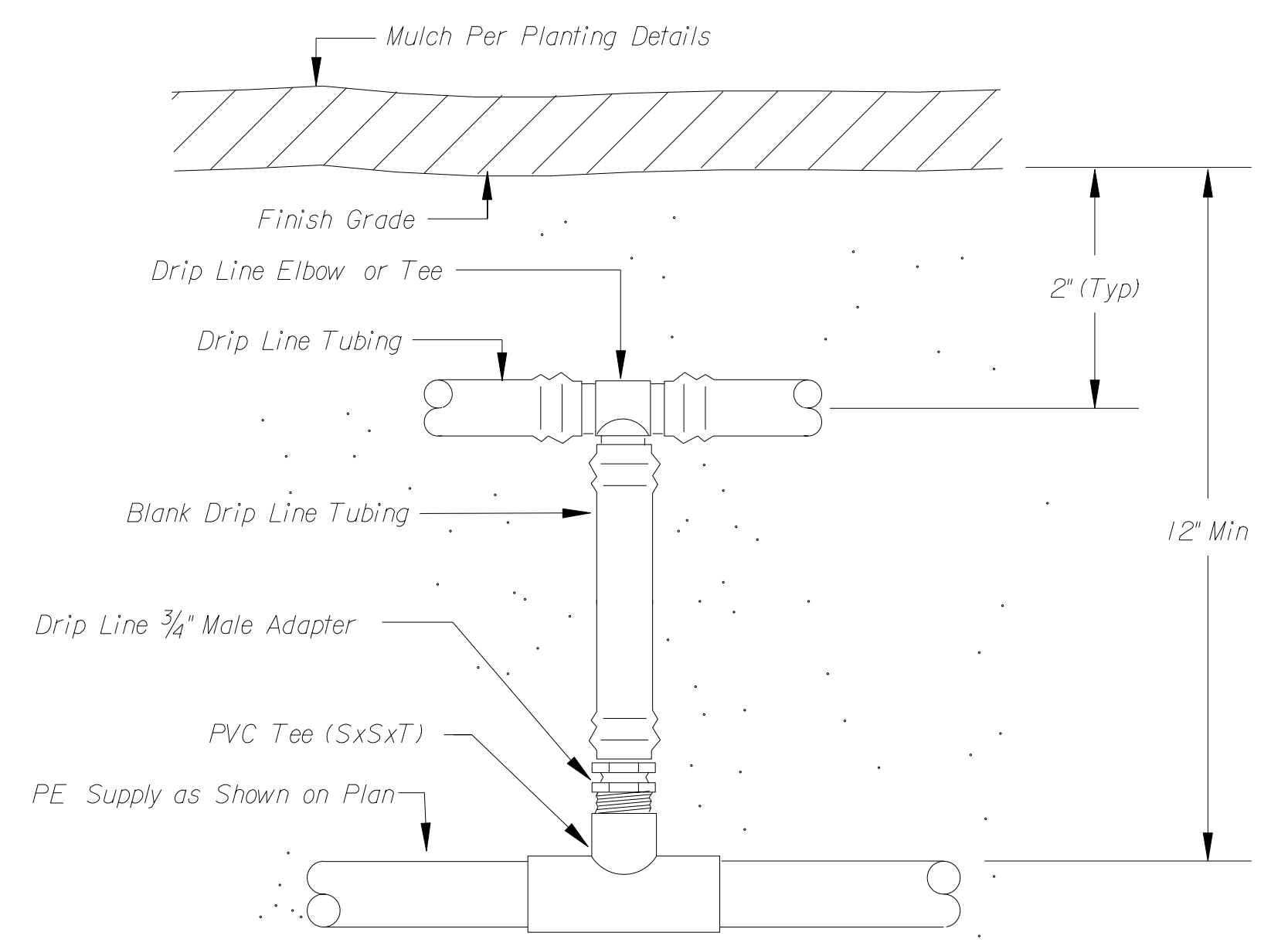


* Installed on High End

03 Air/Vacuum Relief NTS



04 Remote Control Valve w/ Filter NTS



05 Supply to Drip Line Connection NTS

This sheet designed by:

HNTB
ARCHITECTS ENGINEERS PLANNERS

3				
2				
1				
NO.	DATE	REVISIONS	BY	APP'D
CITY OF WICHITA WICHITA CENTRAL CORRIDOR IRRIGATION DETAILS				
SHEET NO.:	OF	SCALE: VARIES	APP'D:	
DESIGNED: JF		DETAILED: JRK, KA	QUANTITIES: JRK, KA	TRACED:
DESIGN CK.: WP		DETAIL CK.: WSN	QUAN. CK.: WP	TRACE CK.: