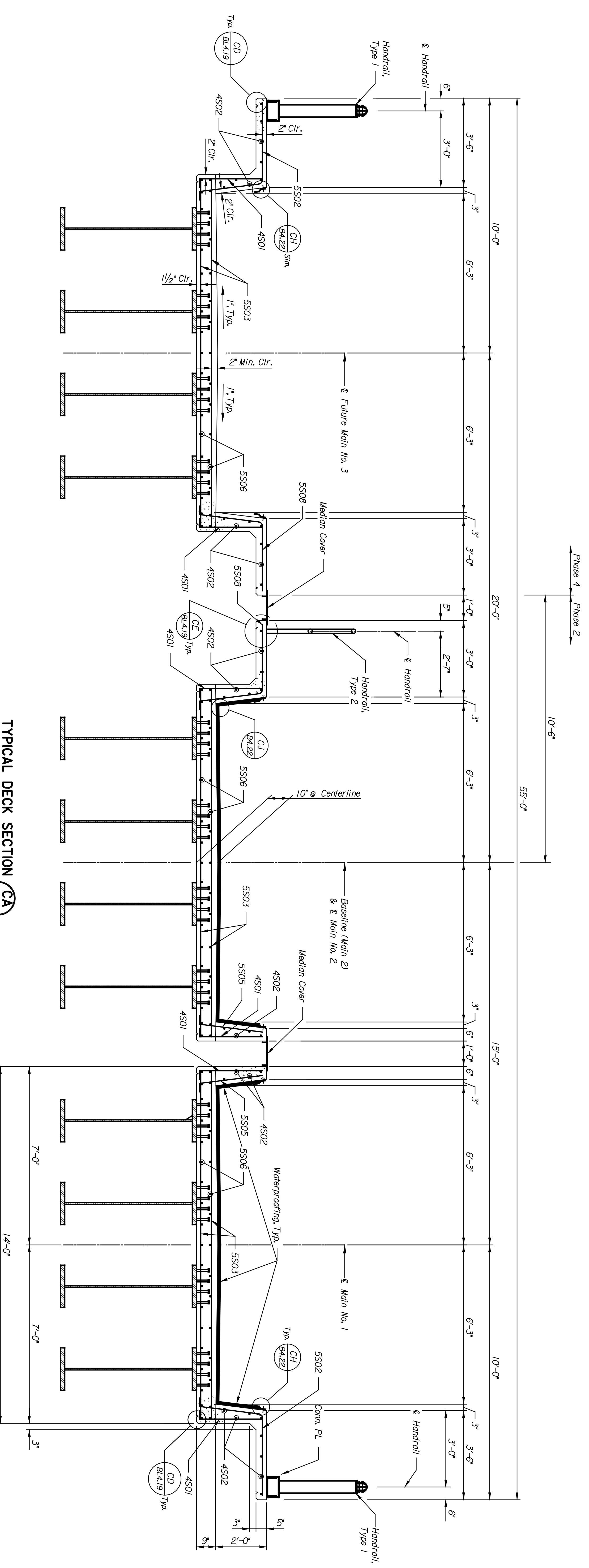
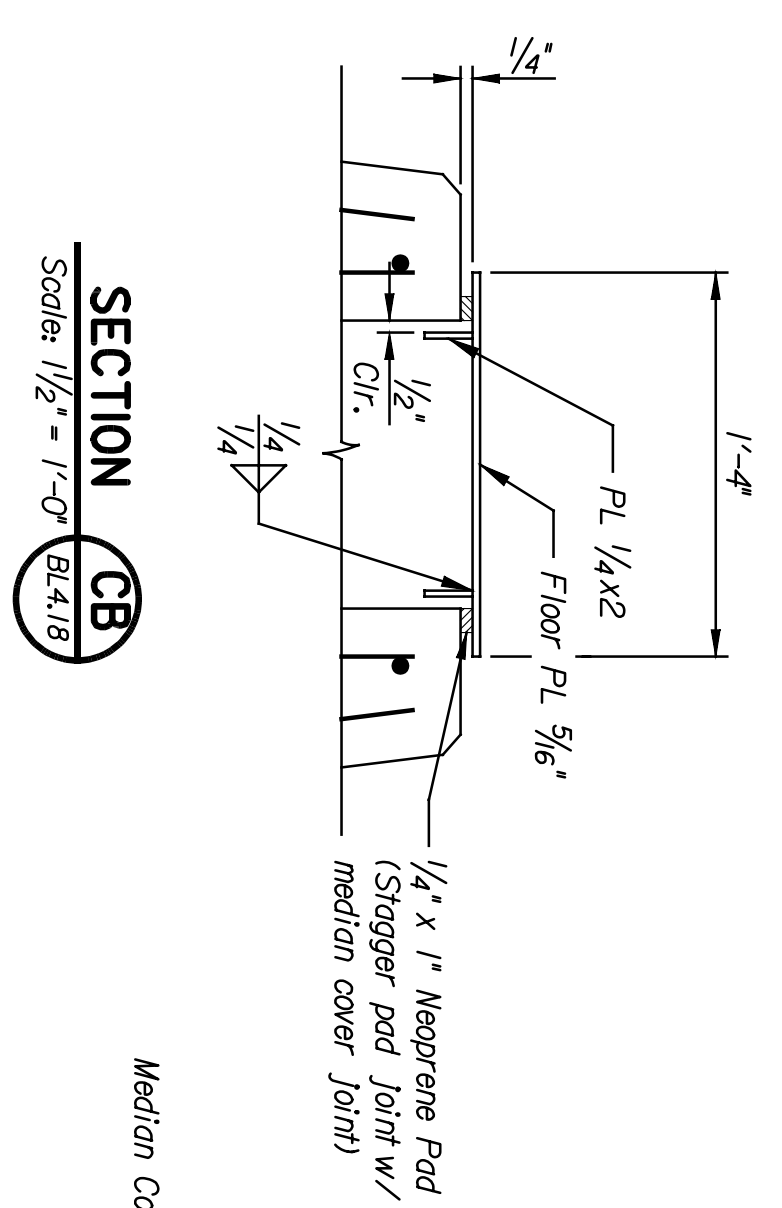


BY	DATE

STATE	PROJECT NO.	YEAR	SHEET NO.	TOTAL SHEETS
KANSAS	472-84071	2005	BL4.19	

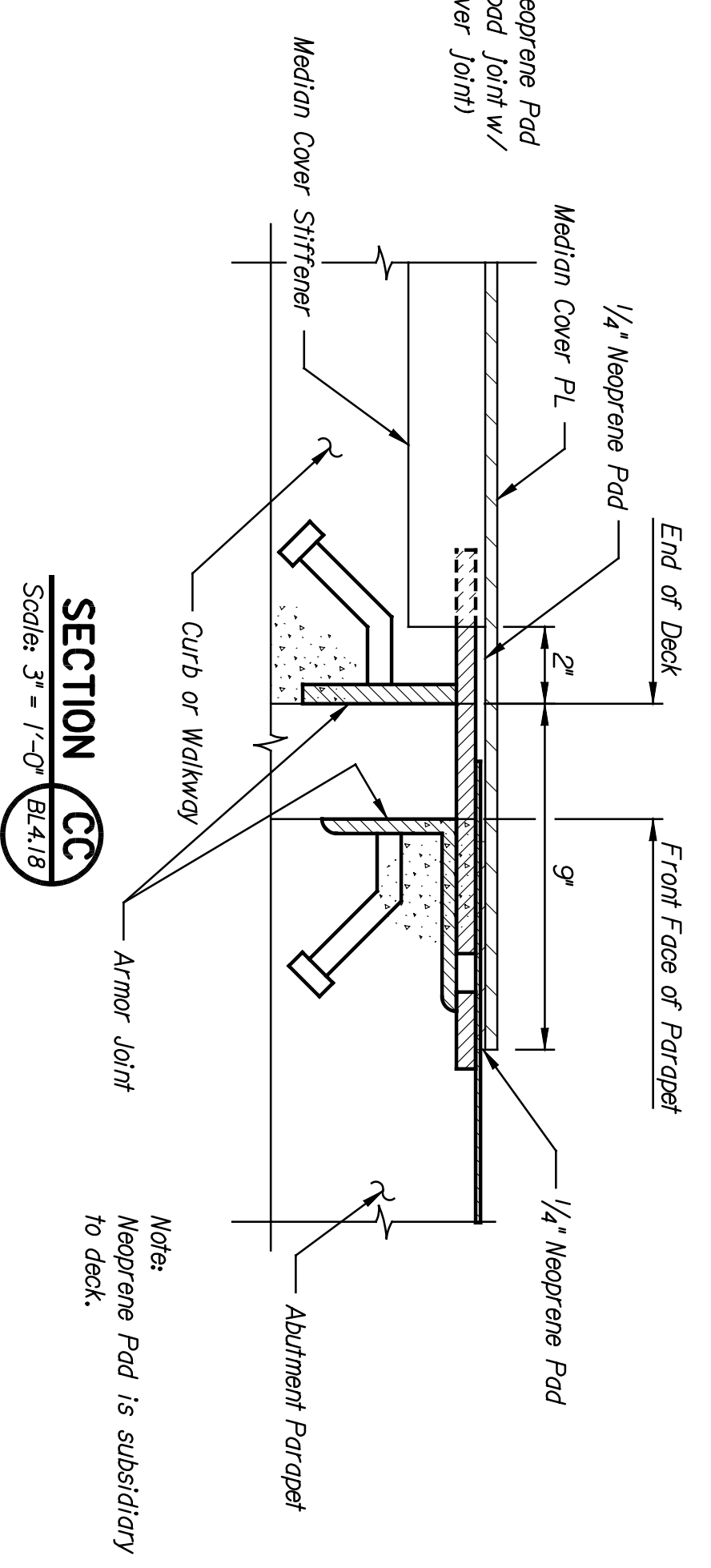


**TYPICAL DECK SECTION CA**  
 Scale: 1/2" = 1'-0"  
 BL4.19



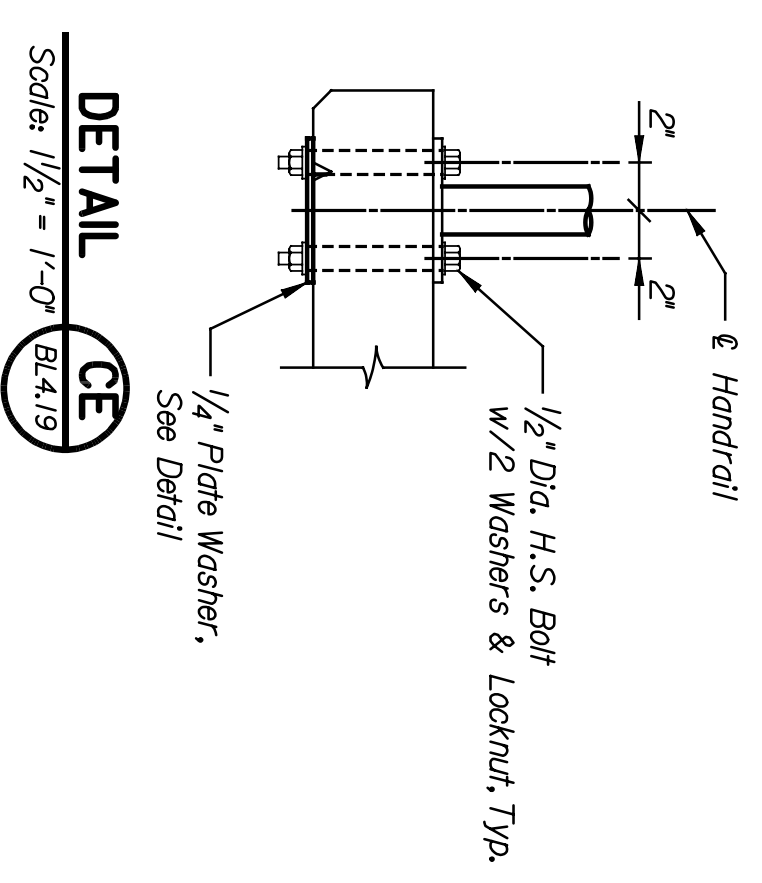
**SECTION CB**  
 Scale: 1/2" = 1'-0"  
 BL4.19

Note:  
 Minimum Length of Median Cover Plate, 5'-0"  
 Maximum Length of Median Cover Plate, 8'-0"

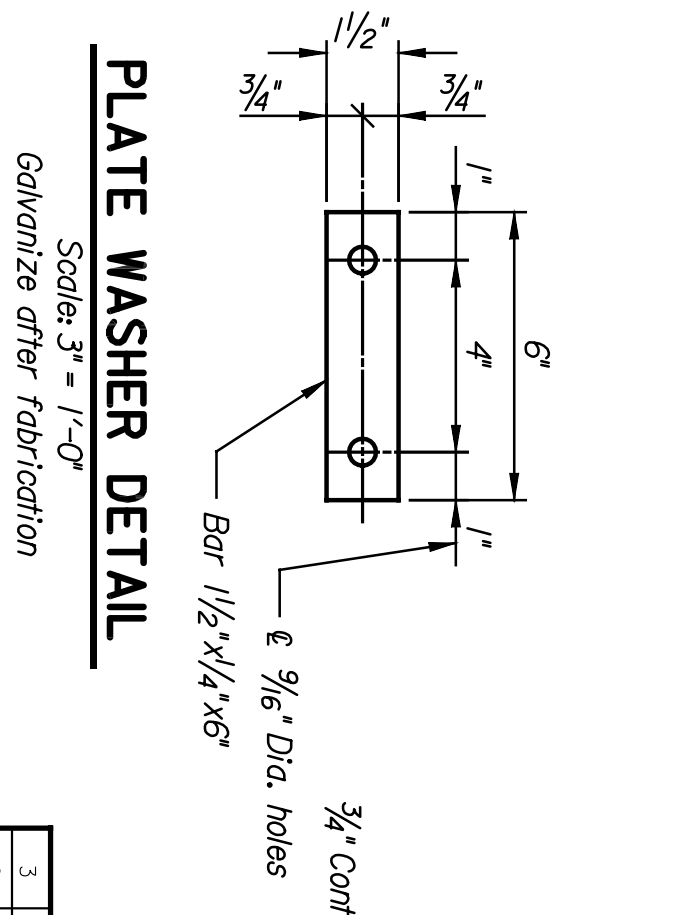


**SECTION CC**  
 Scale: 3/4" = 1'-0"  
 BL4.19

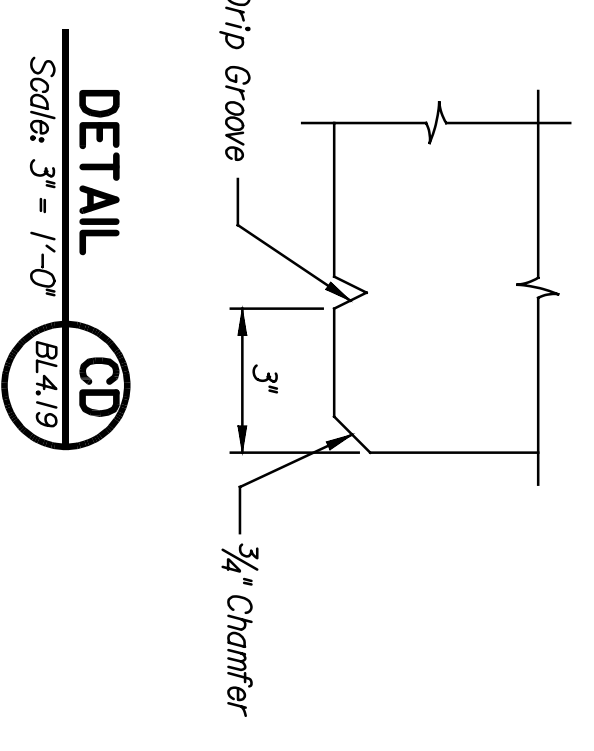
Note:  
 Neoprene Pad is subsidiary to deck.



**DETAIL CE**  
 Scale: 1/2" = 1'-0"  
 BL4.19



**PLATE WASHER DETAIL**  
 Scale: 3/4" = 1'-0"  
 Gd/w/size after fabrication



**DETAIL CD**  
 Scale: 3/4" = 1'-0"  
 BL4.19

This sheet designed by:



ARCHITECTS ENGINEERS PLANNERS

LOCATION:	SCALE AS NOTED	APPD.
RMSF BR 2118		
WICHITA, KS		
LINE SEGMENT 7400		

SHEET NO.	OF	SCALE AS NOTED	APPD.
DESIGNED BY	ENR	DATE	TRACED BY
DESIGN CK.	DWH	DATE	TRACED CK.
DETAIL CK.	JWH	DATE	TRACED CK.
QUANTITIES	DJL	DATE	TRACED
QUANTITIES	DWH	DATE	TRACED

**CITY OF WICHITA**  
**WICHITA CENTRAL CORRIDOR**  
 ALTERNATE 5  
 CENTRAL  
 DECK SECTION & DETAILS