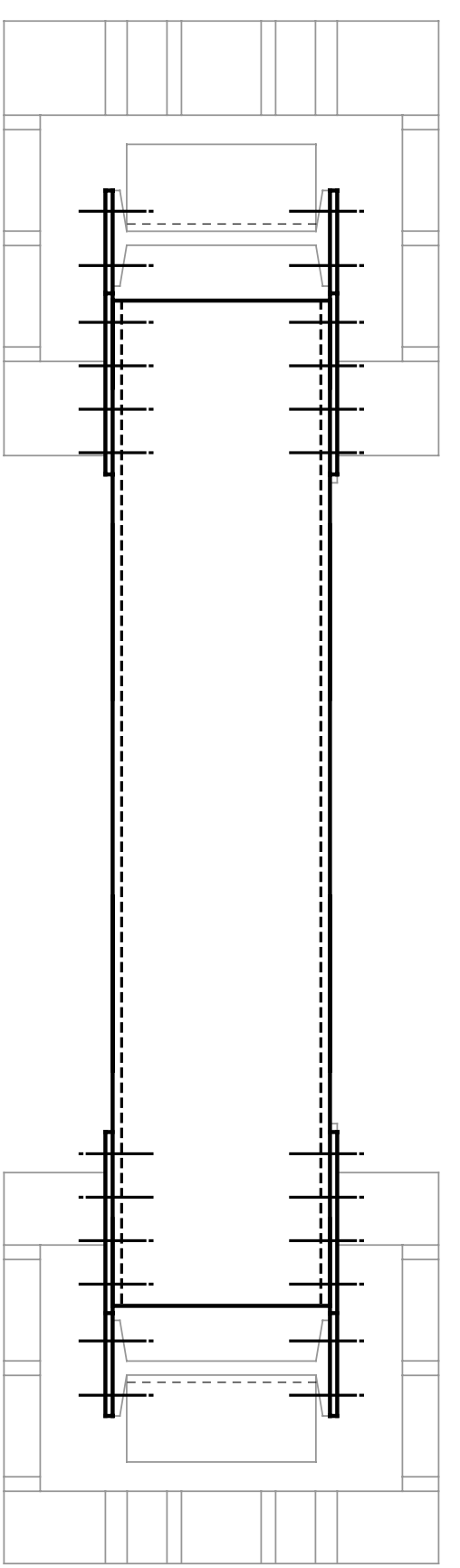
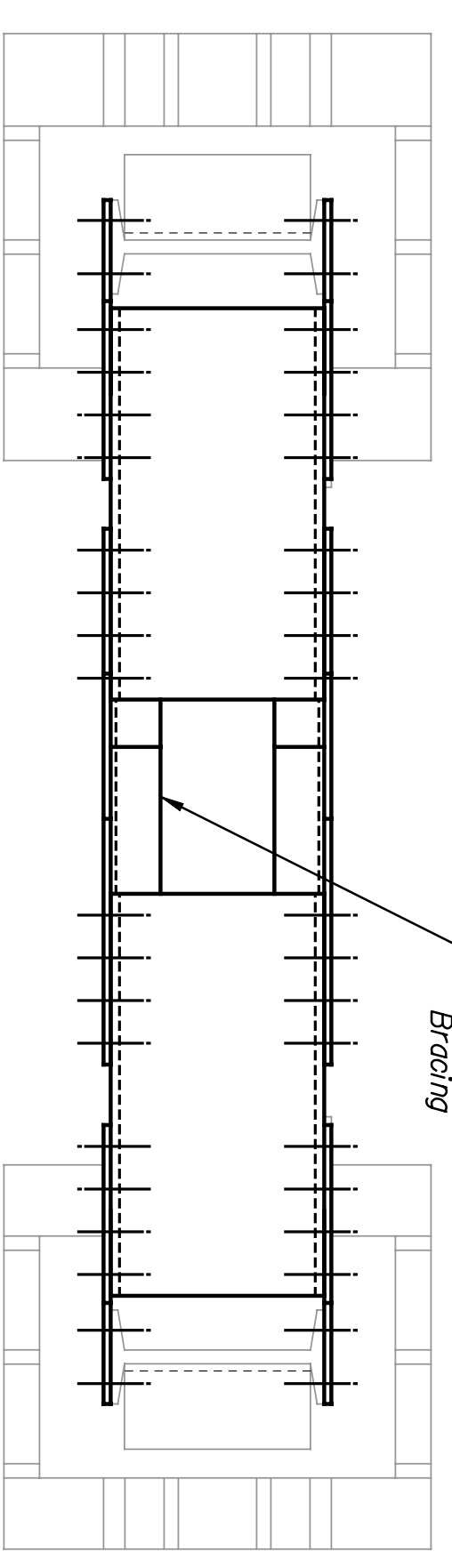


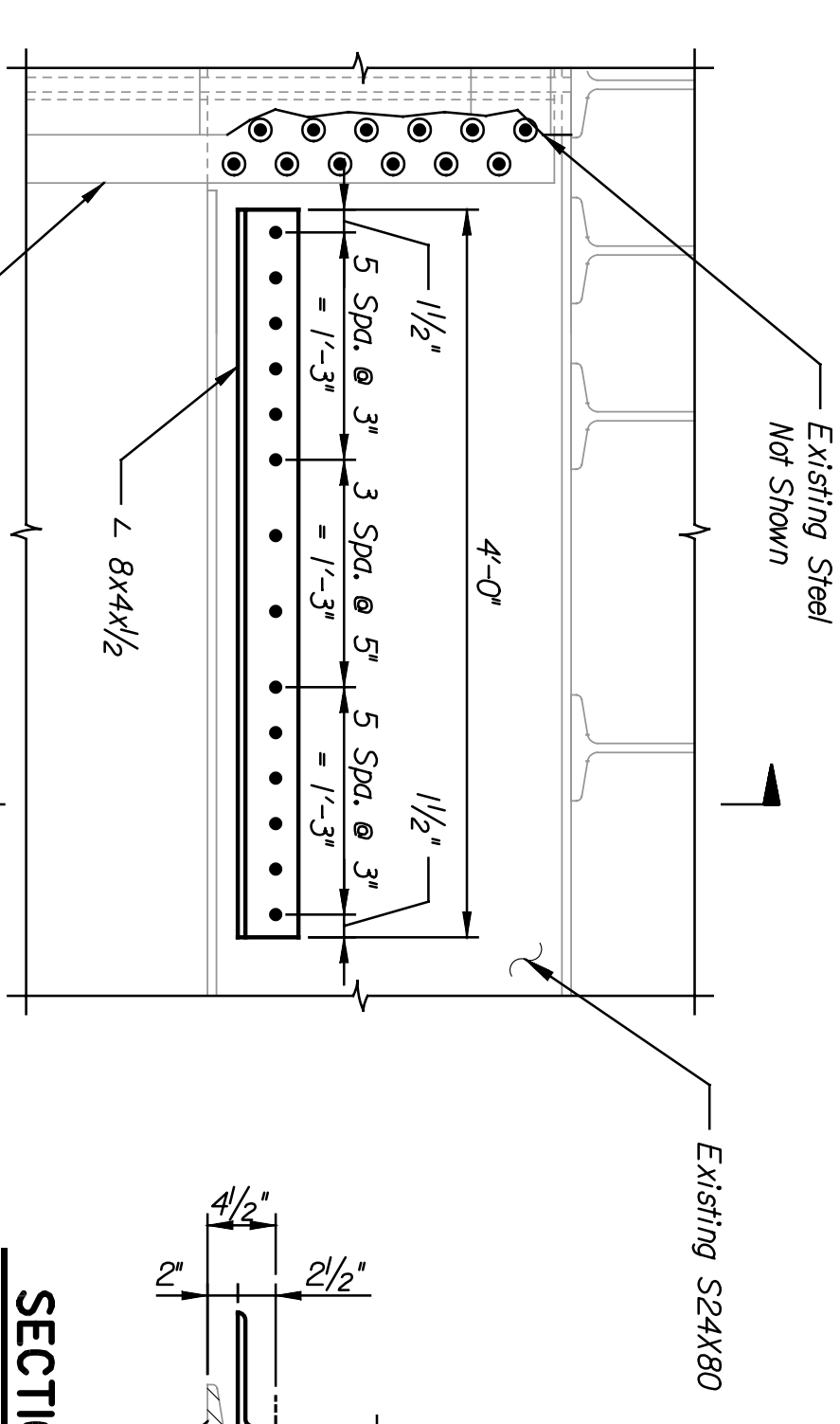
| | |
|----|------|
| BY | DATE |
| | |
| | |



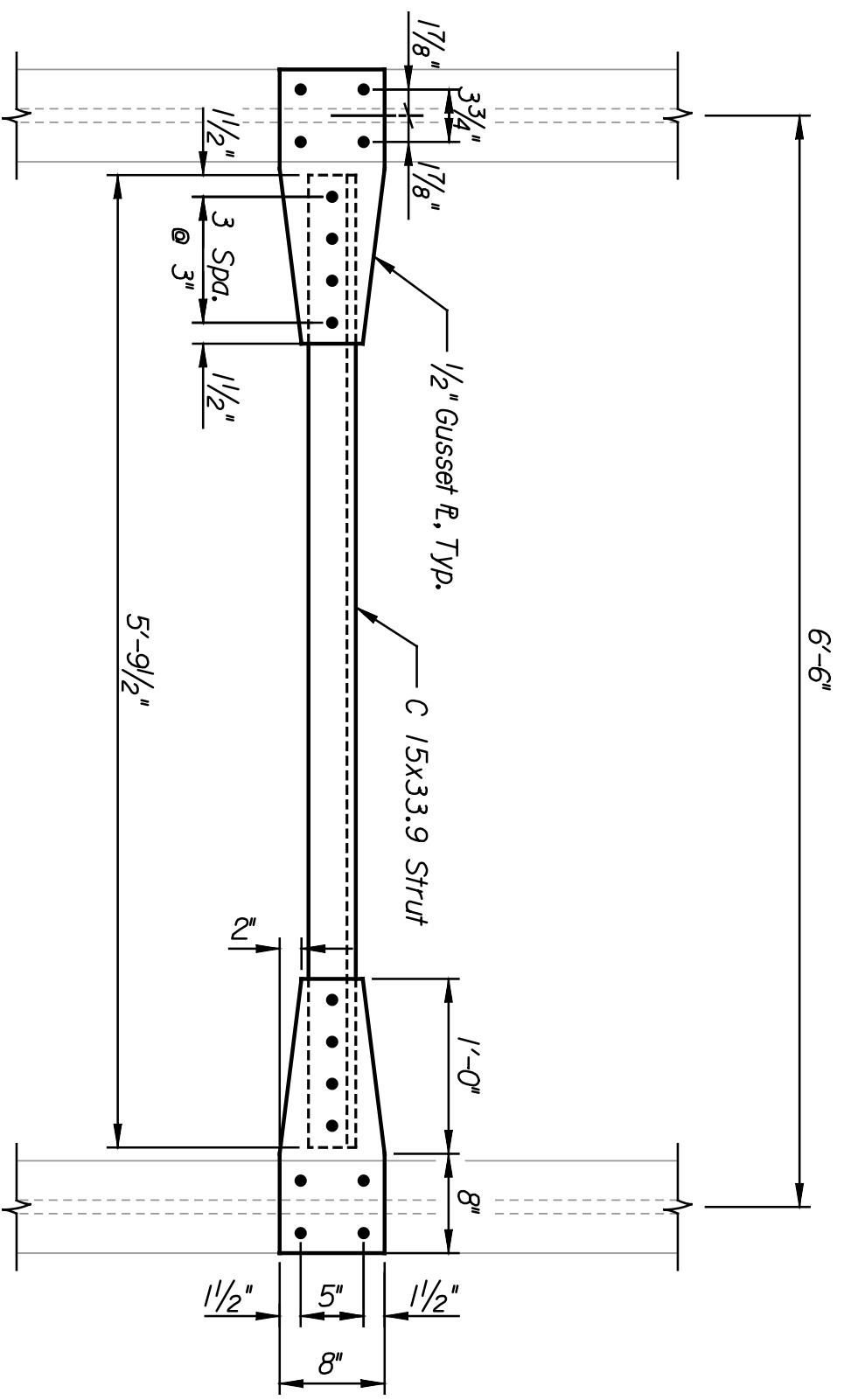
PLAN
Scale: 1" = 1'-0"



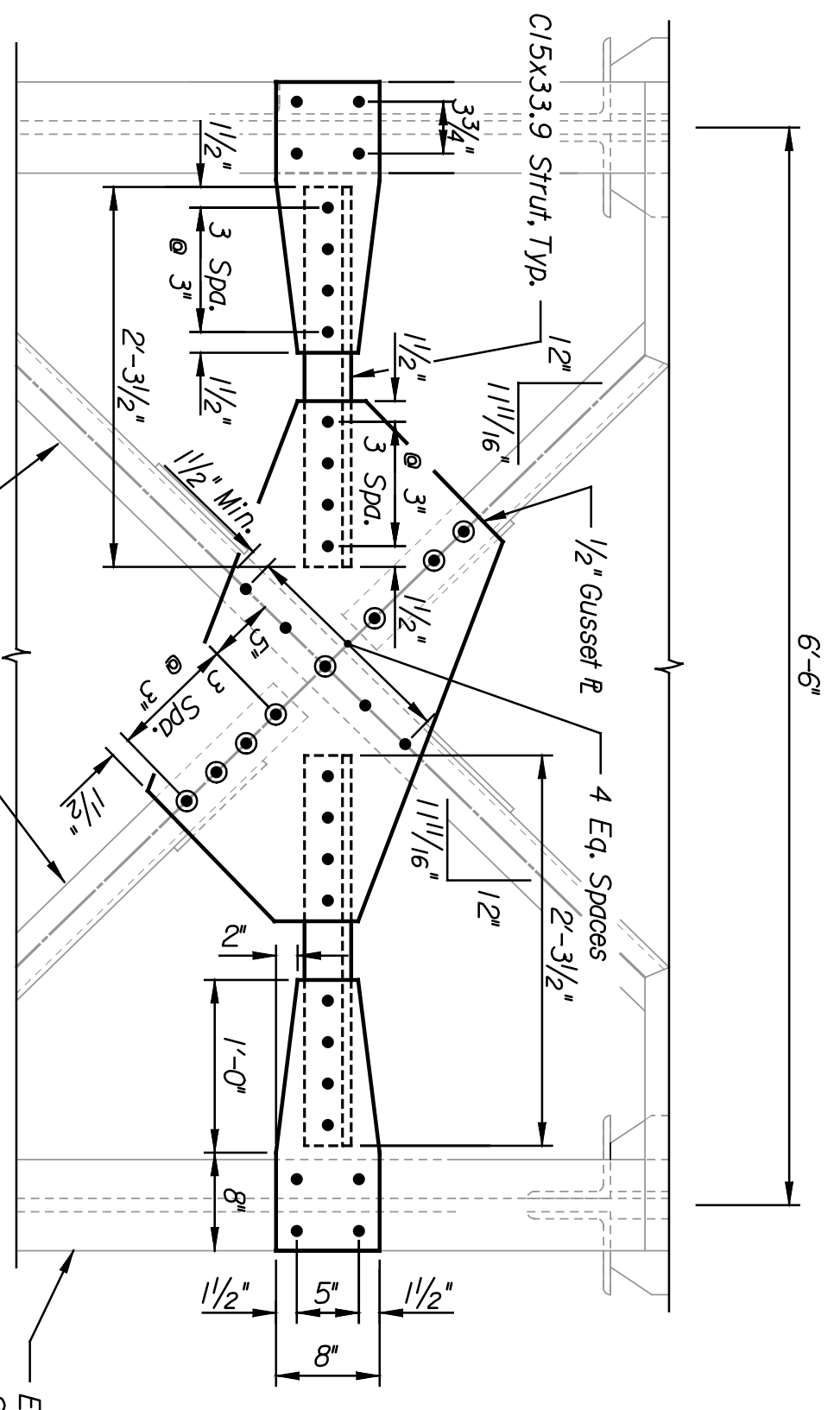
PLAN
Scale: 1" = 1'-0"



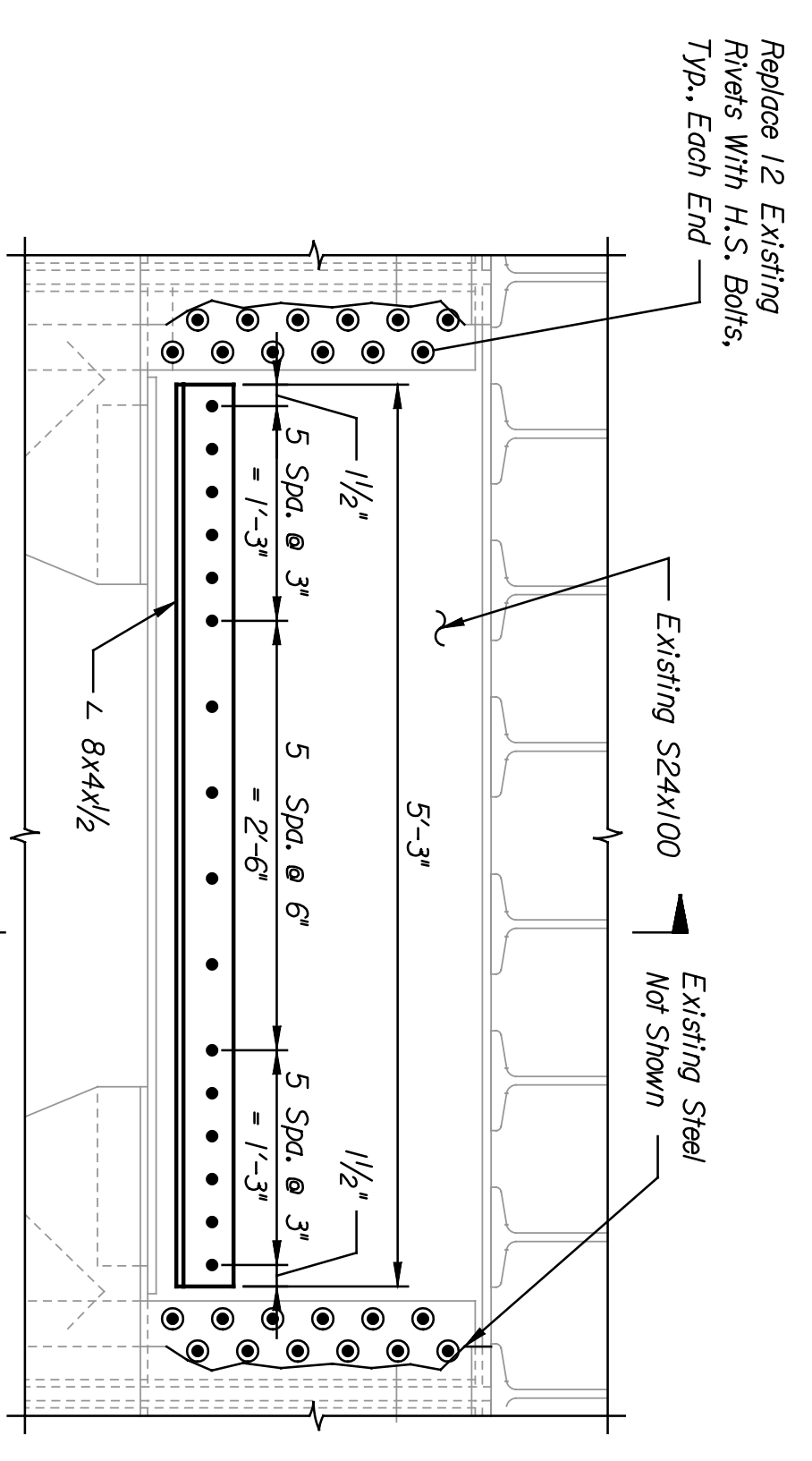
SECTION R
Scale: 1" = 1'-0"



DETAIL K
Scale: 1" = 1'-0"



DETAIL L
Scale: 1" = 1'-0"



DETAIL M
Scale: 1" = 1'-0"

Existing Column
 Pier 2 & 5
 S15X75
 Pier 3 & 4
 S15X90

Existing L 3/2x3/2x3/8, Typ.

Replace 12 Existing
 Rivers With H.S. Bolts,
 Typ., Each End

LEGEND

- Replace existing river with 7/8" ϕ H.S. Bolt
- Field Drill 1/16" ϕ Holes & Provide 7/8" ϕ H.S. Bolts.
- H.S. Bolts connecting members with sloping faces shall have a hardened bevel washer on the sloped surface under the bolt head.

PROJECT NO. 472-84071
 YEAR 2005
 SHEET NO. DA112

| | | | |
|--------|-------------|------|--------------|
| STATE | PROJECT NO. | YEAR | TOTAL SHEETS |
| KANSAS | 472-84071 | 2005 | DA112 |

This sheet designed by:

| | | | |
|--------------------------|-----|----------------|-------|
| CITY OF WICHITA | | WICHITA, KS | |
| WICHITA CENTRAL CORRIDOR | | | |
| ALTERNATE 8 | | | |
| DOUGLAS AVENUE | | | |
| PIER DETAILS | | | |
| SHEET NO. | OF | SCALE AS NOTED | APPD. |
| DESIGNED BY | ENR | DATE | DATE |
| DESIGN CK. | CM | DATE | DATE |
| TRACED BY | DMH | DATE | DATE |
| TRACED CK. | DMH | DATE | DATE |