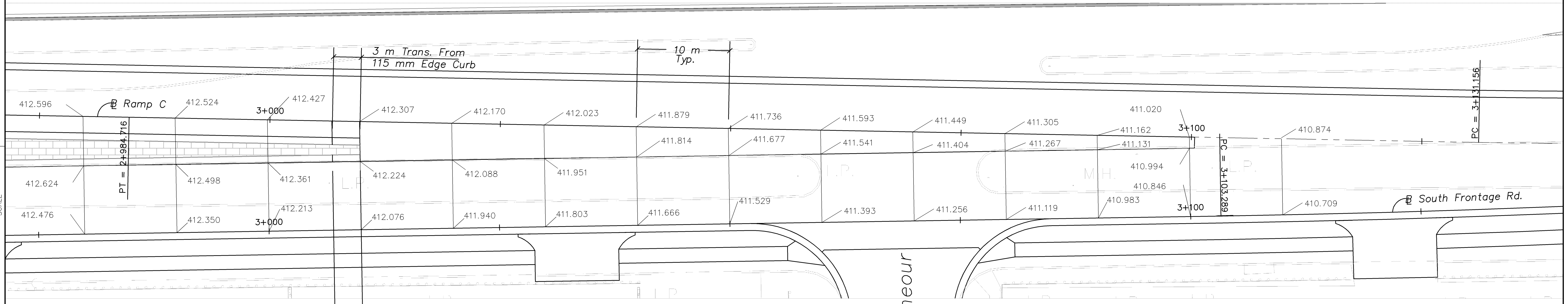
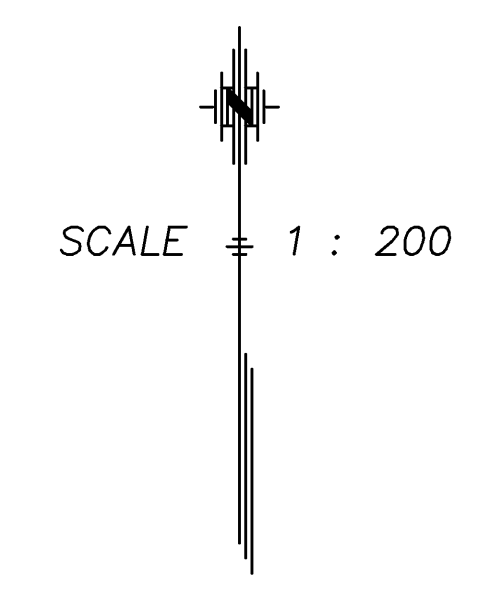
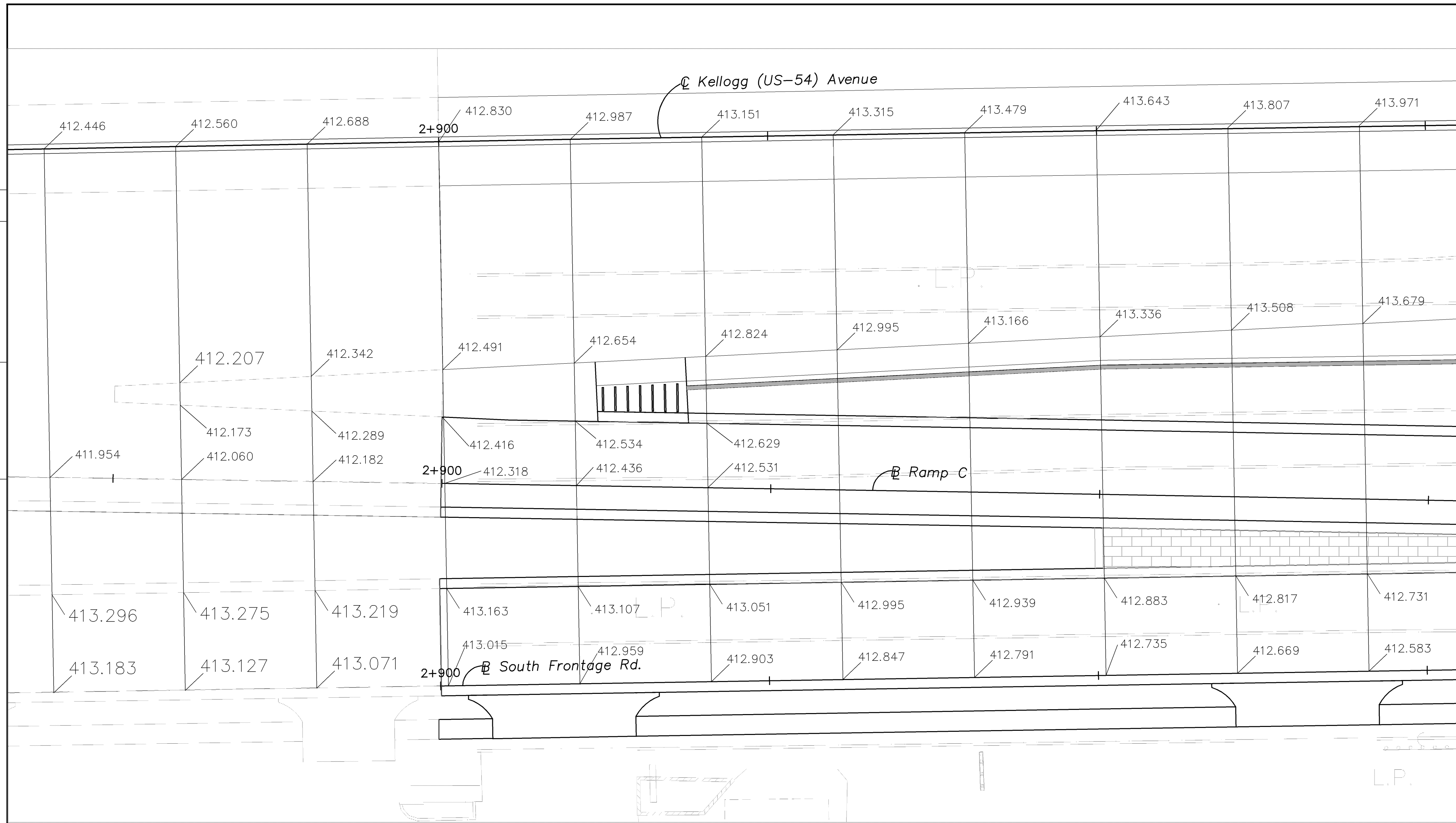


STATE	PROJECT NO.	YEAR	SHEET NO.	TOTAL SHEETS
KANSAS	54-87 K-8258-01	2007	21	556

DATE	BY	REFERENCE NOTED	REFERENCE CHECKED



Drawn by: **CFS** Cook, Flatt & Strobel  
 ENGINEERS, P. A.

KANSAS DEPARTMENT OF TRANSPORTATION  
**PLAN**  
 SOUTH FRONTAGE ROAD  
 RAMP C DETAILS