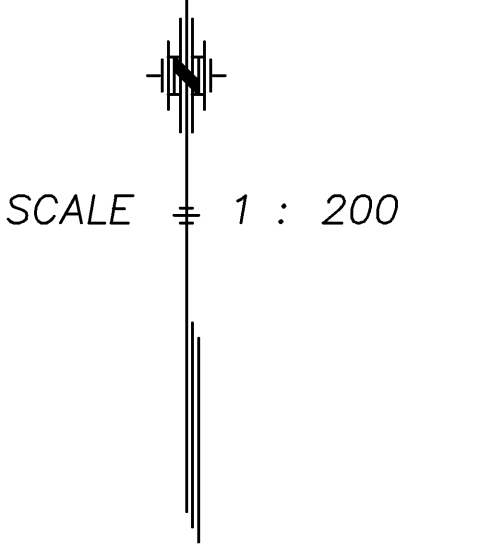
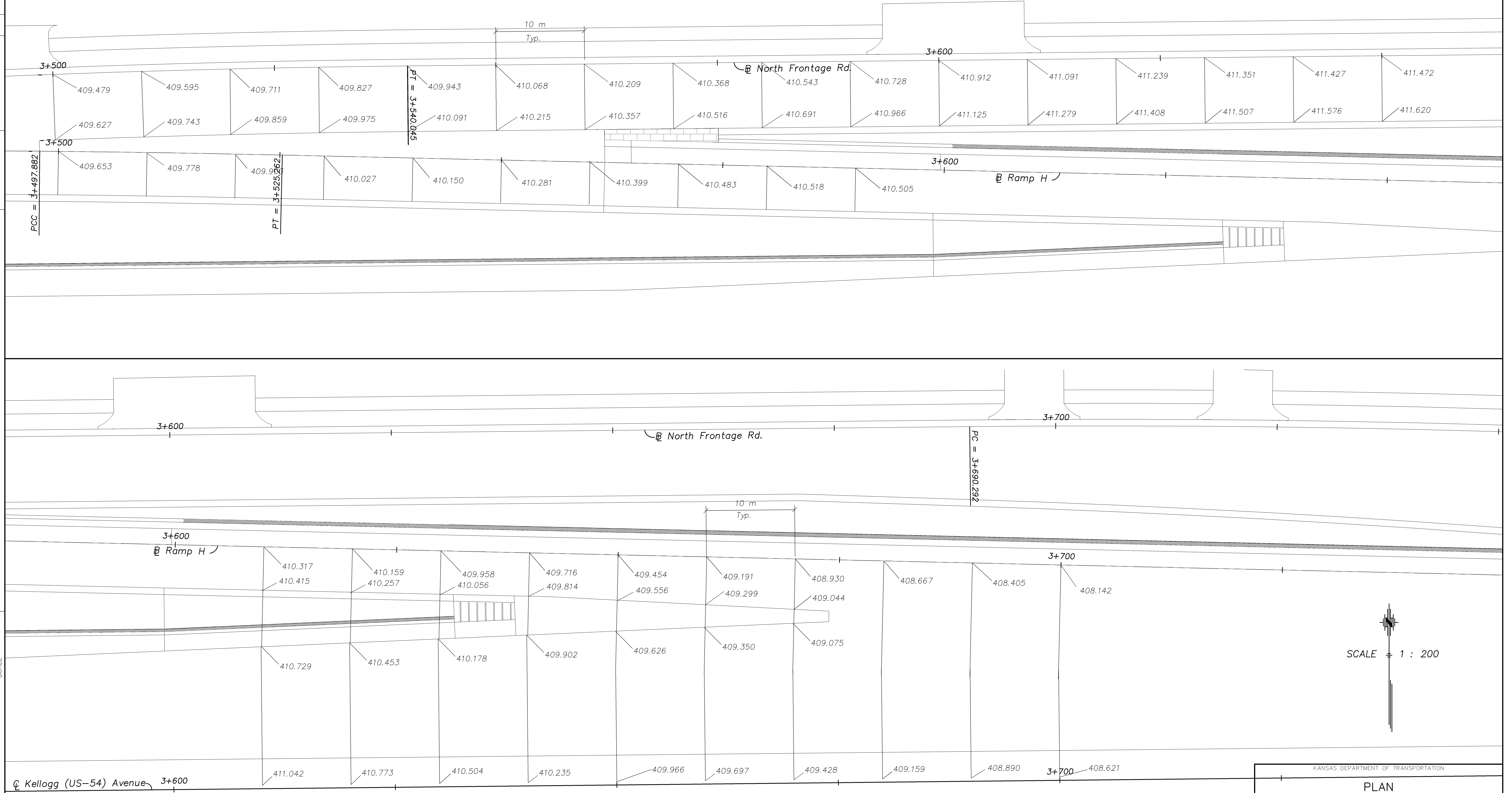


STATE	PROJECT NO.	YEAR	SHEET NO.	TOTAL SHEETS
KANSAS	54-87 K-8258-01	2007	27	556

DATE	
BY	
REFERENCE NOTED	
REFERENCE CHECKED	



Drawn by: **CFS** Cook, Flatt & Strobel ENGINEERS, P. A.

KANSAS DEPARTMENT OF TRANSPORTATION
PLAN
 NORTH FRONTAGE ROAD
 RAMP H DETAILS