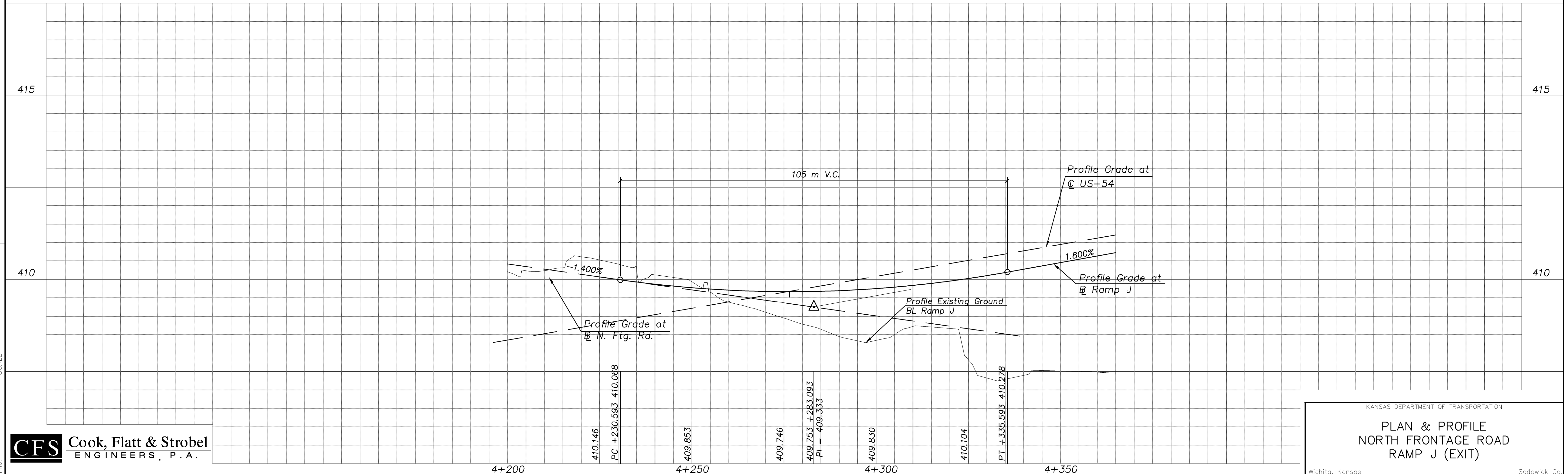
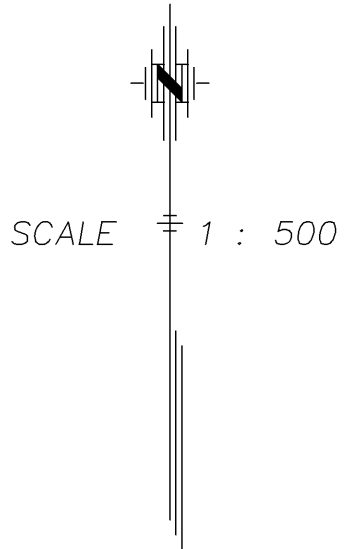
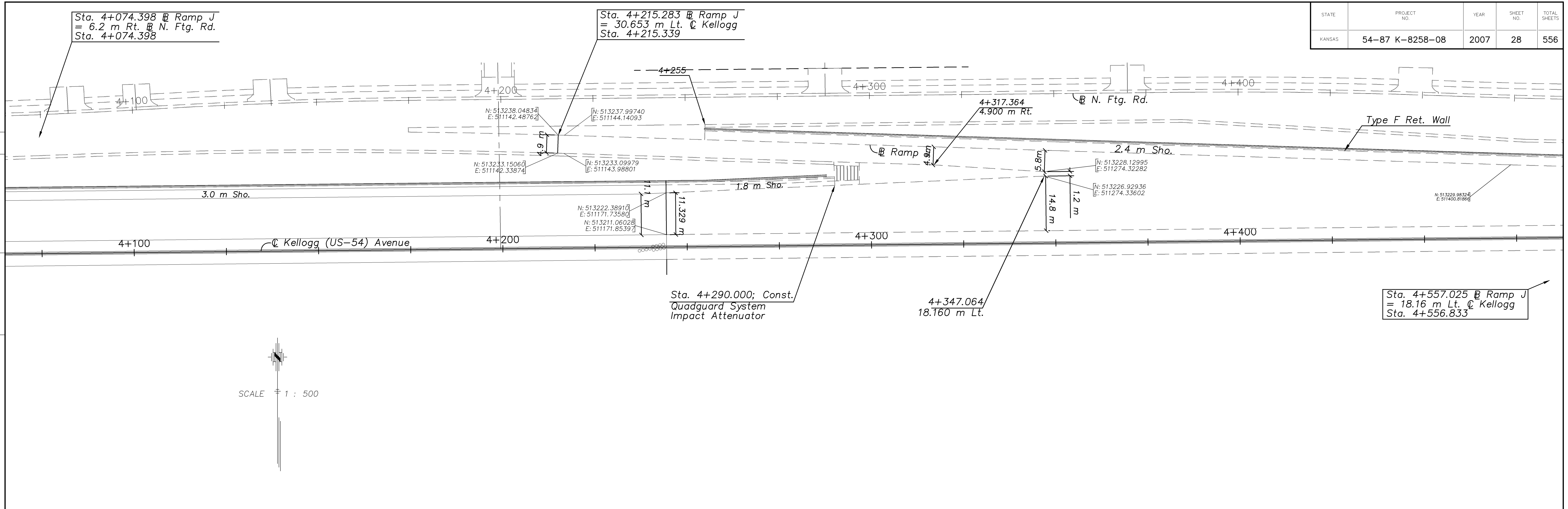


STATE	PROJECT NO.	YEAR	SHEET NO.	TOTAL SHEETS
KANSAS	54-87 K-8258-08	2007	28	556

DATE	
BY	
REFERENCE NOTED	
REFERENCE CHECKED	



Drawn by: **CFS** Cook, Flatt & Strobel
 ENGINEERS, P.A.

KANSAS DEPARTMENT OF TRANSPORTATION
PLAN & PROFILE
 NORTH FRONTAGE ROAD
 RAMP J (EXIT)
 Wichita, Kansas Sedgwick Co. 28