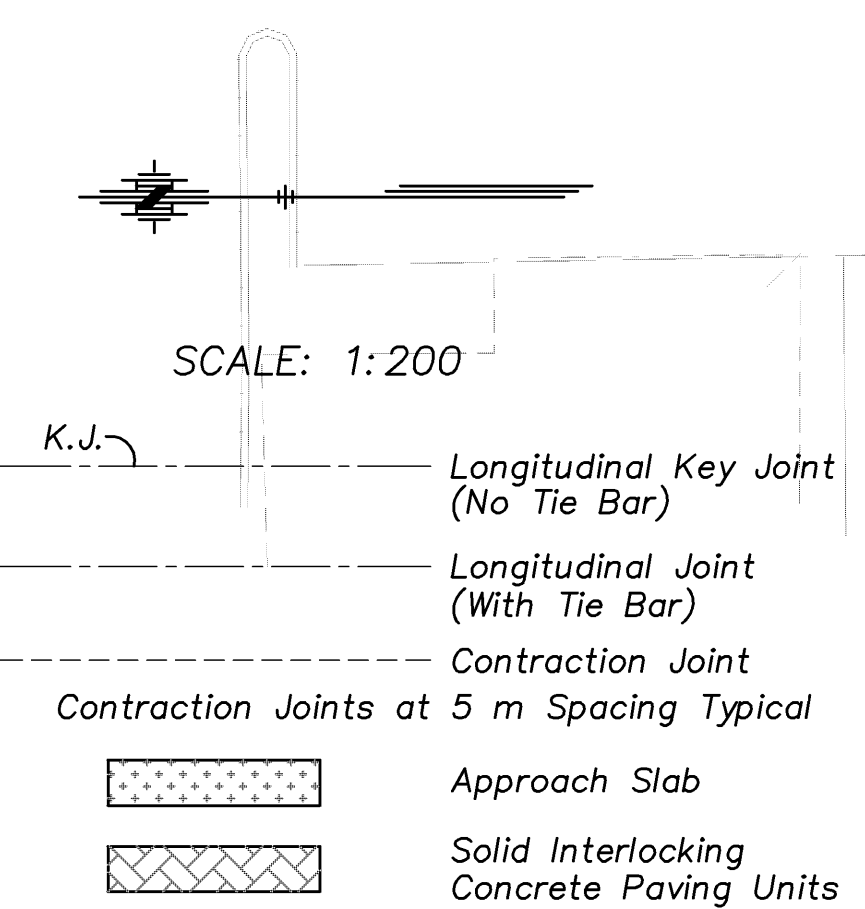
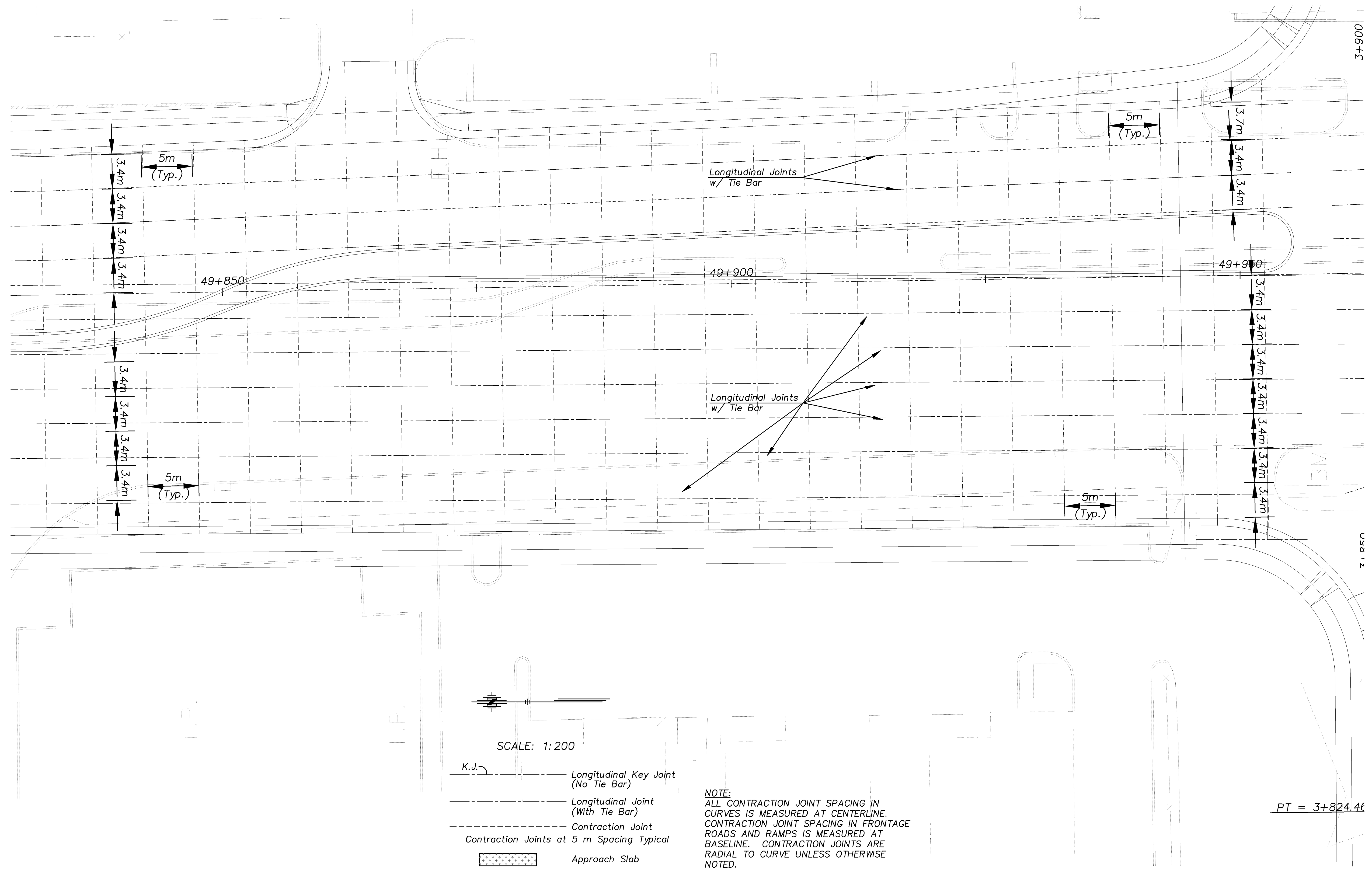


STATE	PROJECT NO.	YEAR	SHEET NO.	TOTAL SHEETS
KANSAS	54-87 K-8258-01	2007	59	556

DATE	BY

REFERENCE NOTED	REFERENCE CHECKED



**NOTE:**  
 ALL CONTRACTION JOINT SPACING IN CURVES IS MEASURED AT CENTERLINE. CONTRACTION JOINT SPACING IN FRONTAGE ROADS AND RAMPS IS MEASURED AT BASELINE. CONTRACTION JOINTS ARE RADIAL TO CURVE UNLESS OTHERWISE NOTED.

PT = 3+824.46

Drawn by:   
 File: D109.plt   
 SCALE