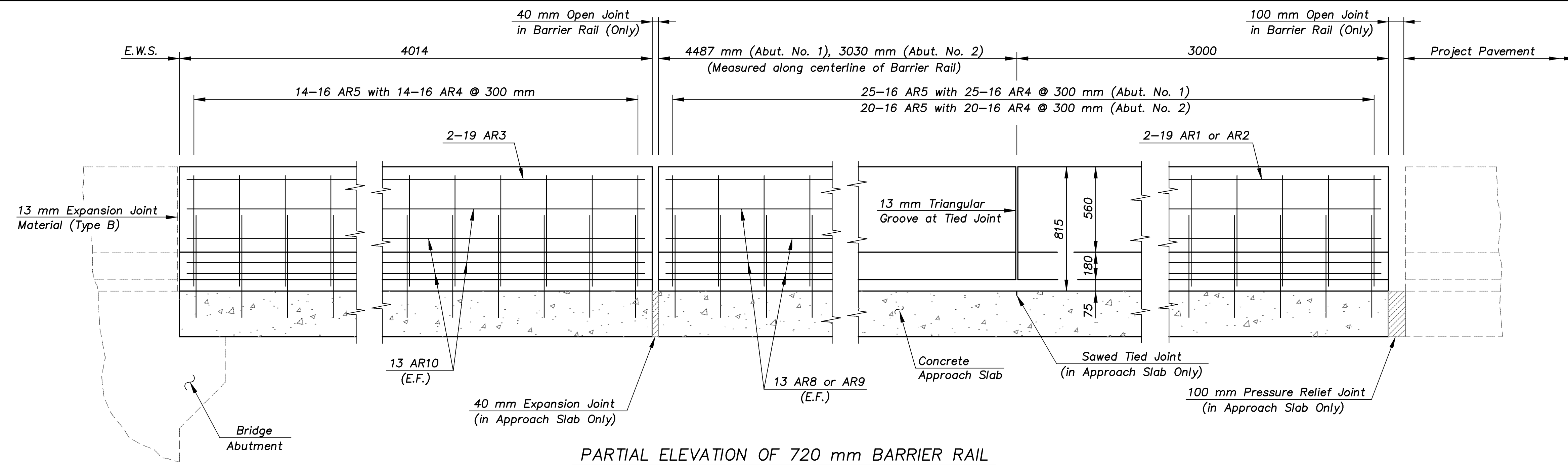
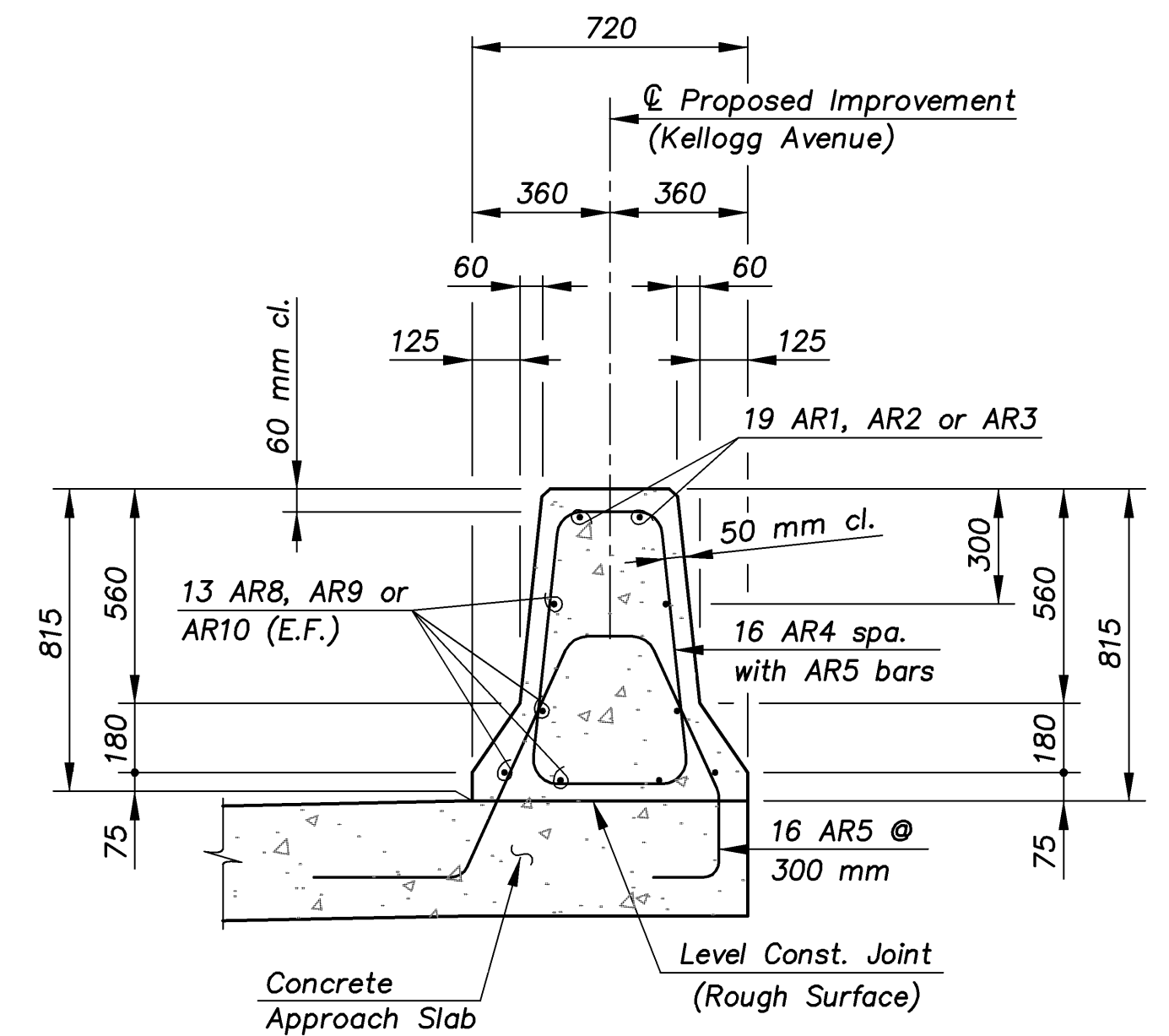


STATE	PROJECT NO.	YEAR	SHEET NO.	TOTAL SHEETS
KANSAS	54-87 K-8258-01	2007	64	556

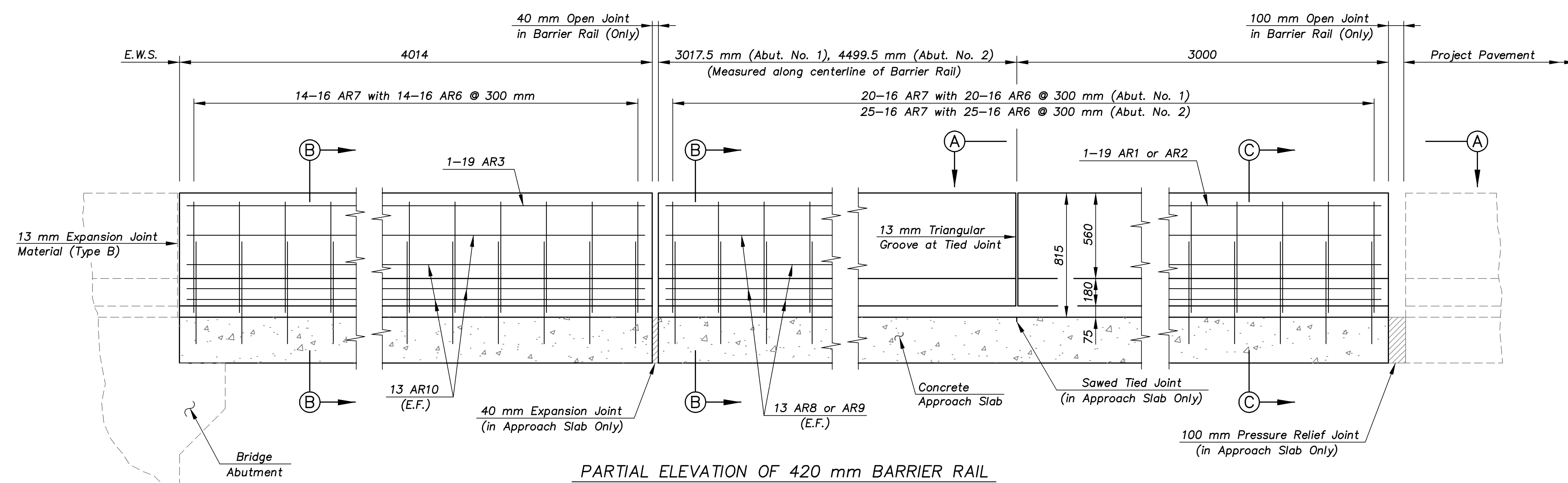
E.F. INDICATES EACH FACE.
N.F. INDICATES NEAR FACE.
F.F. INDICATES FAR FACE.



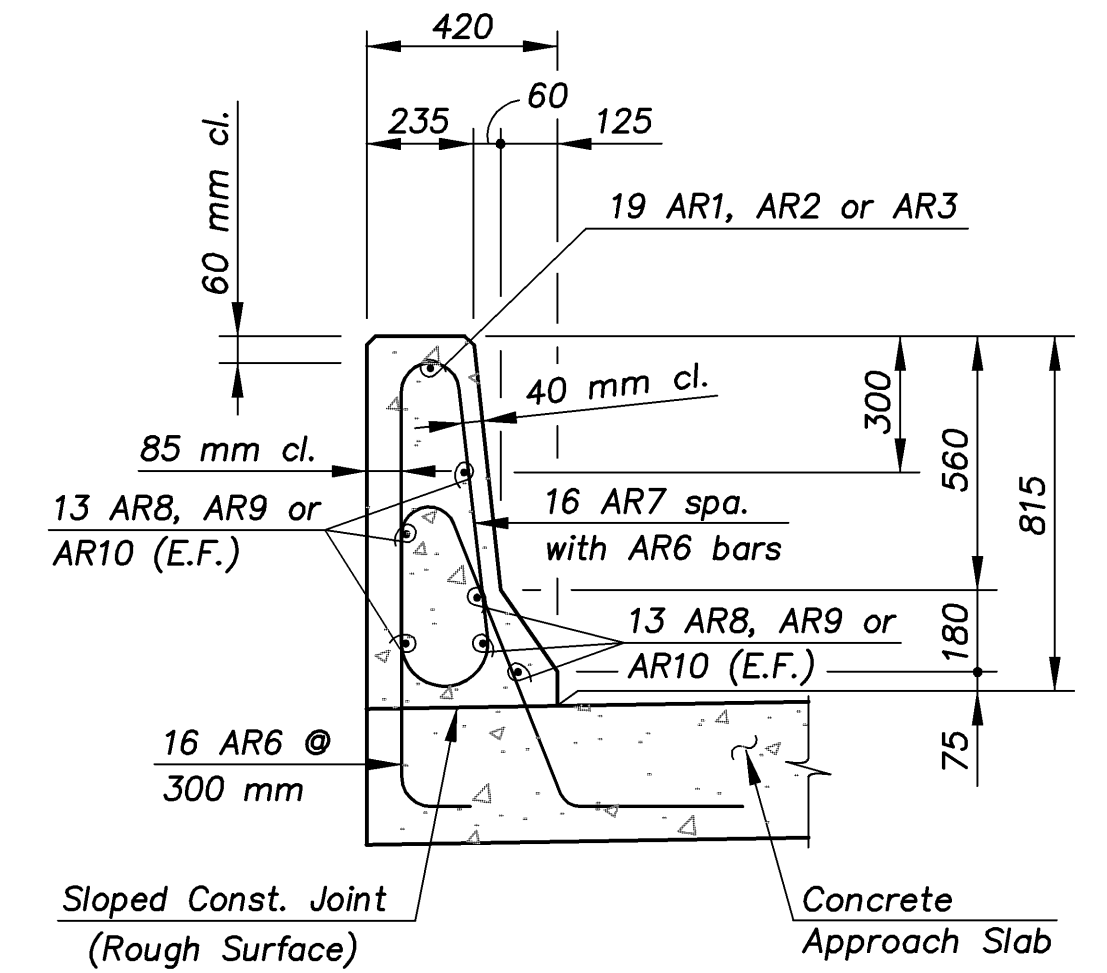
PARTIAL ELEVATION OF 720 mm BARRIER RAIL



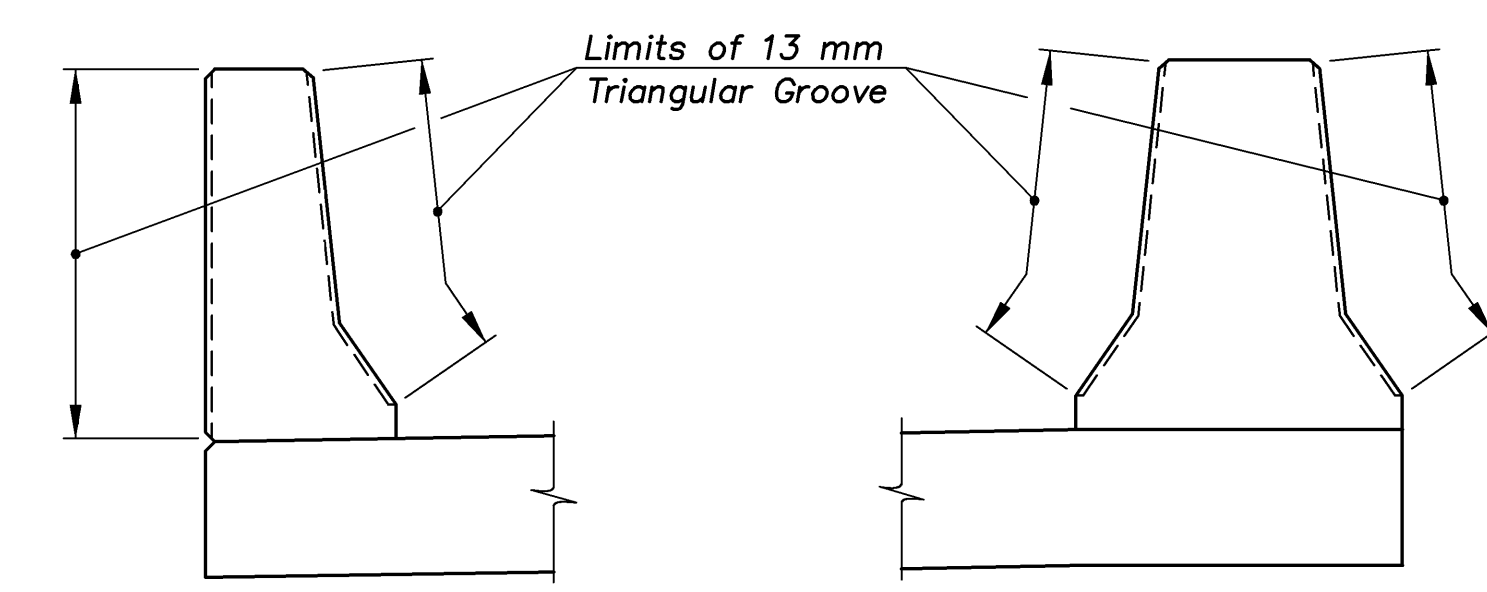
TYPICAL SECTION (720 mm Barrier Rail)



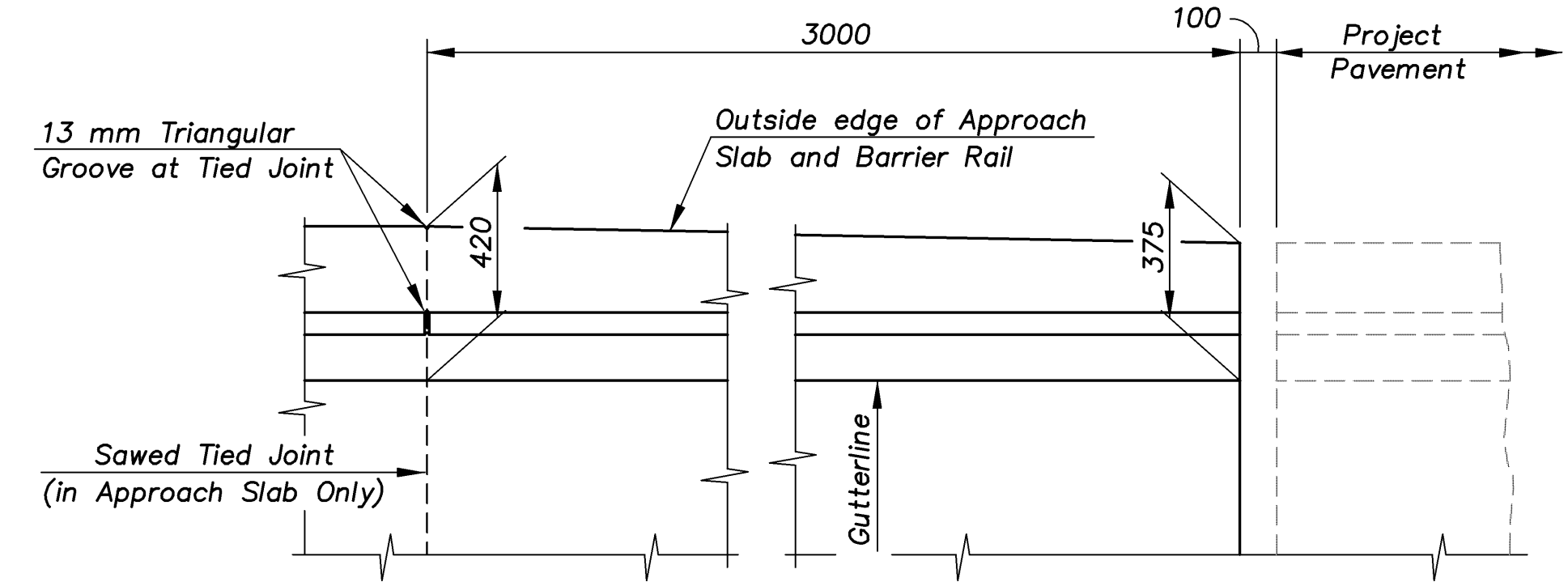
PARTIAL ELEVATION OF 420 mm BARRIER RAIL



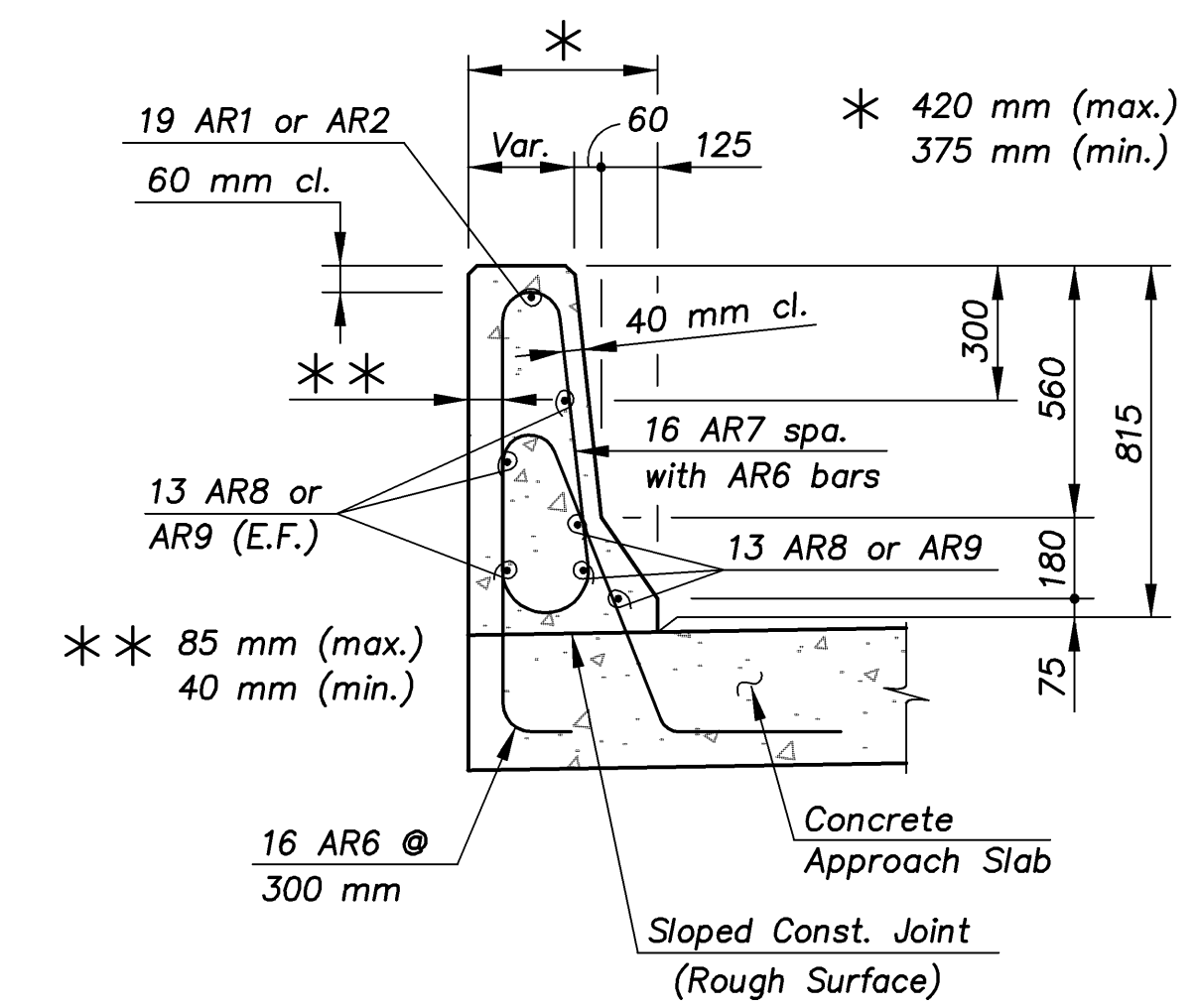
SECTION B-B (420 mm Barrier Rail)



VERTICAL GROOVES AT TIED JOINTS



VIEW A-A



SECTION C-C (420 mm Barrier Rail)

ARMOUR/APPROACH 1:100

KANSAS DEPARTMENT OF TRANSPORTATION		BR. NO. 54-87-30.81(700) W.B. STA. 3+378.725	
SPECIAL CONCRETE APPROACH PAVEMENT			
W.B. KELLOGG AVENUE OVER ARMOUR			
DESIGNED R.S.C.		SCALE	
DETAILED T.R.G.		DATE	
Proj. No. 54-87 K-8258-01		SEDGWICK COUNTY	
QUANTITIES T.R.G.		SHEET 3 OF 3	

Cook, Flatt & Strobel
ENGINEERS, P. A.