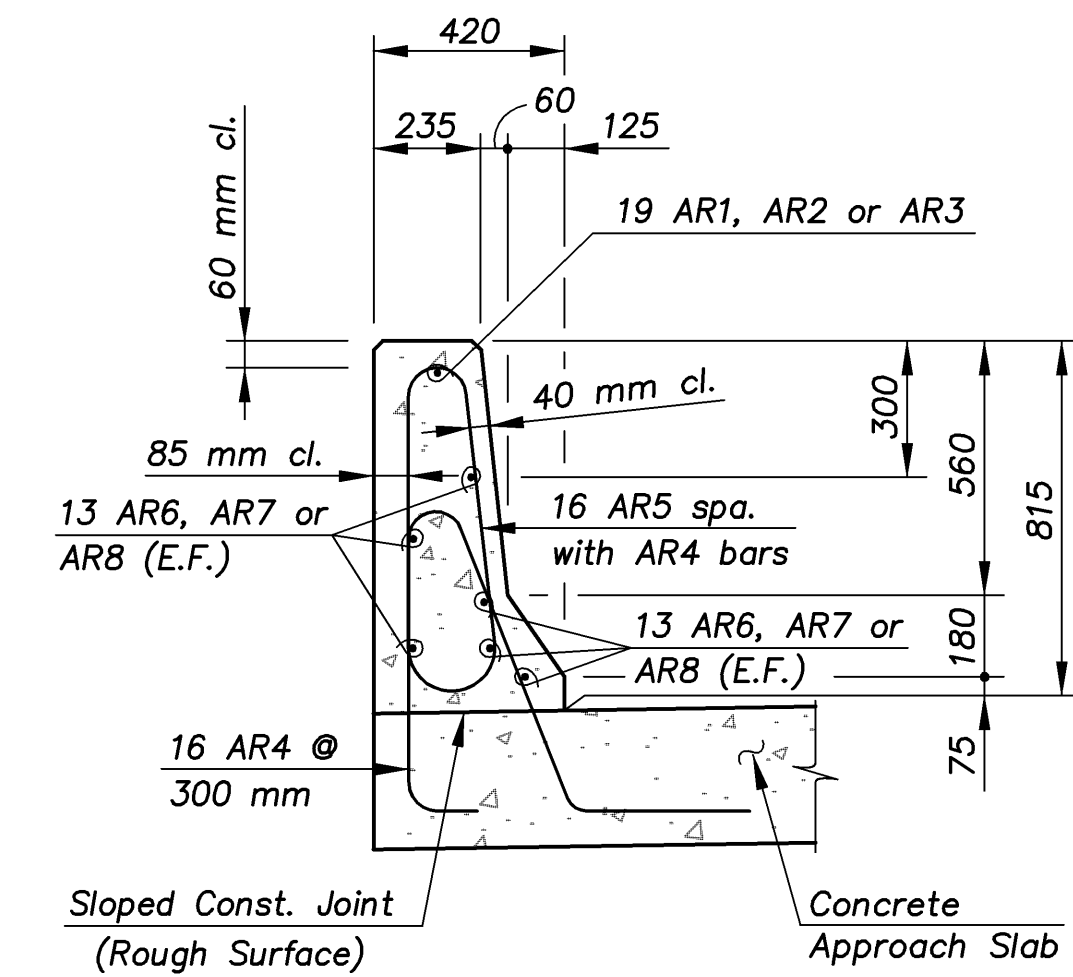
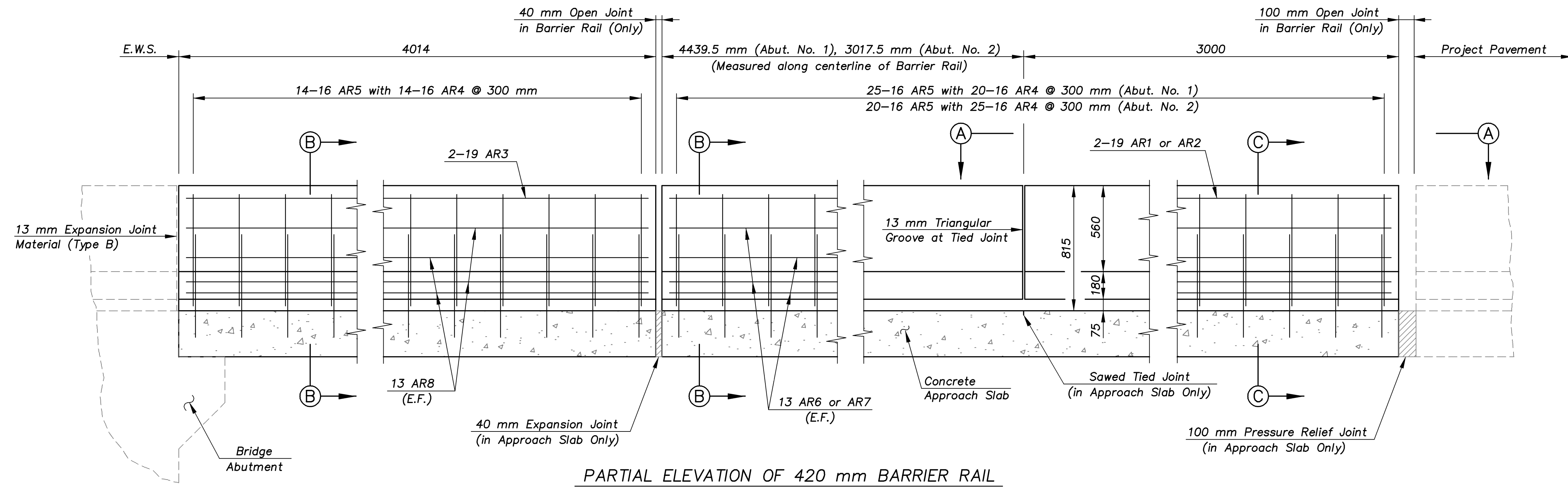
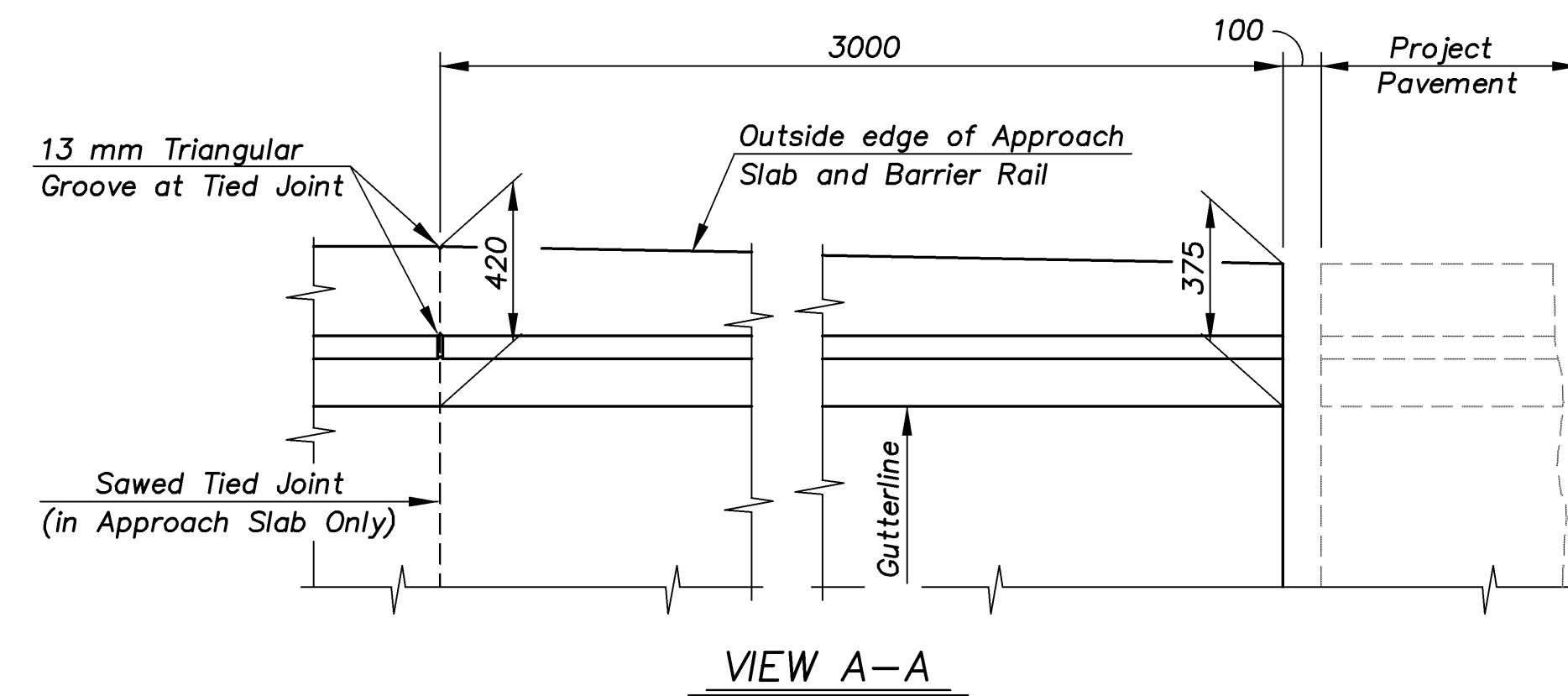


E.F. INDICATES EACH FACE.
 N.F. INDICATES NEAR FACE.
 F.F. INDICATES FAR FACE.

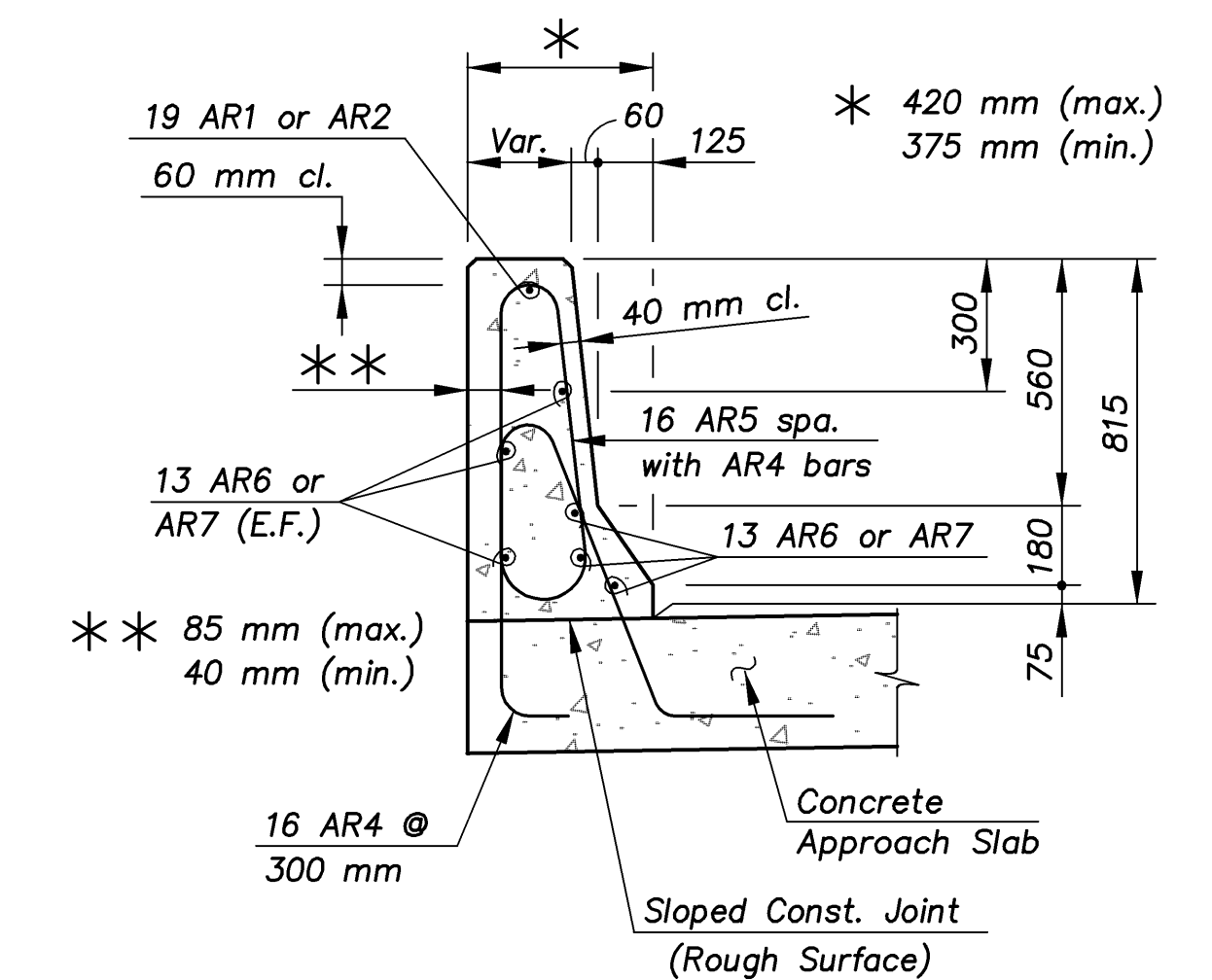
STATE	PROJECT NO.	YEAR	SHEET NO.	TOTAL SHEETS
KANSAS	54-87 K-8258-01	2007	67	556



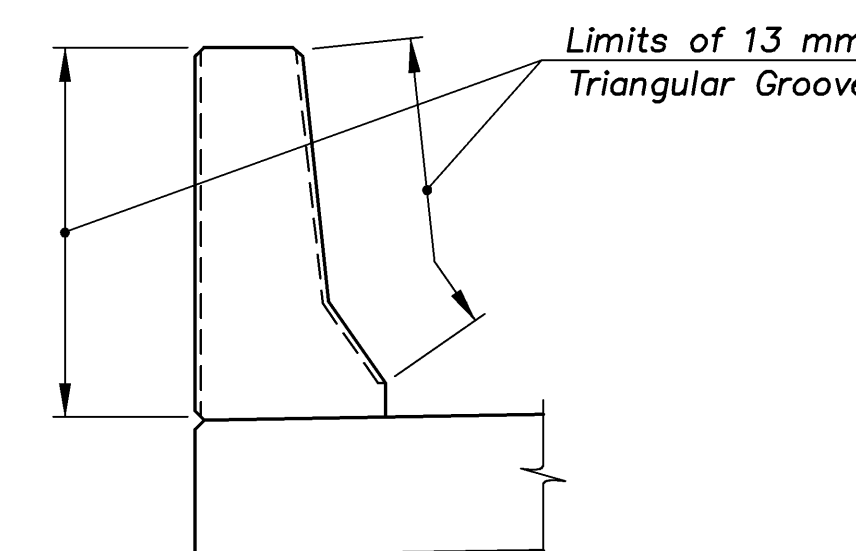
SECTION B-B
 (420 mm Barrier Rail)



VIEW A-A



SECTION C-C
 (420 mm Barrier Rail)



VERTICAL GROOVES AT TIED JOINTS

ARMOUR/APPROACH
 1:100

KANSAS DEPARTMENT OF TRANSPORTATION		BR. NO. 54-87-30.82(701) E.B. STA. 3+378.725	
SPECIAL CONCRETE APPROACH PAVEMENT			
E.B. KELLOGG AVENUE OVER ARMOUR			
Proj. No. 54-87 K-8258-01		SEDGWICK COUNTY	
CFS		Cook, Flatt & Strobel ENGINEERS, P. A.	
DESIGNED R.S.C.	SCALE	DATE	
DETAILED T.R.G.		DATE	
QUANTITIES T.R.G.		SHEET	3 OF 3