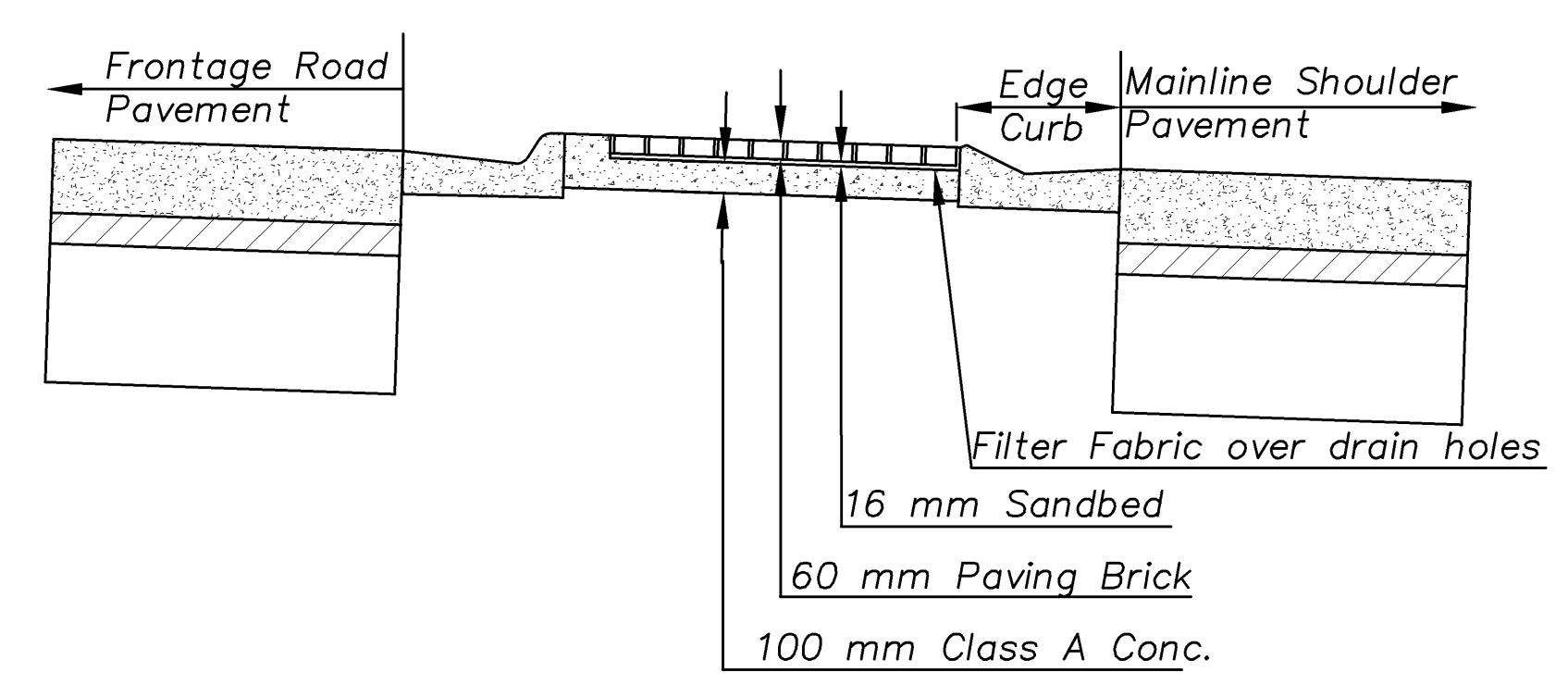
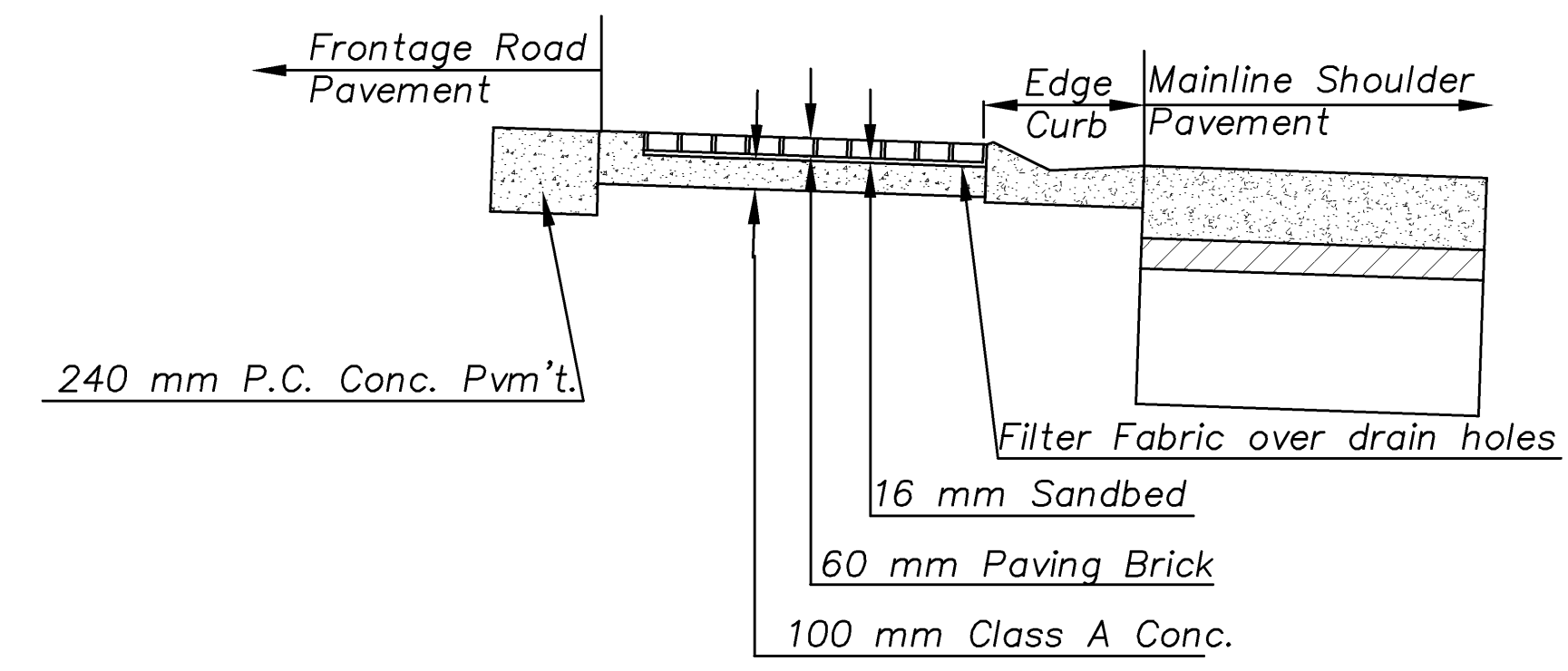


STATE	PROJECT NO.	YEAR	SHEET NO.	TOTAL SHEETS
KANSAS	54-87 K-8258-01	2007	81	556

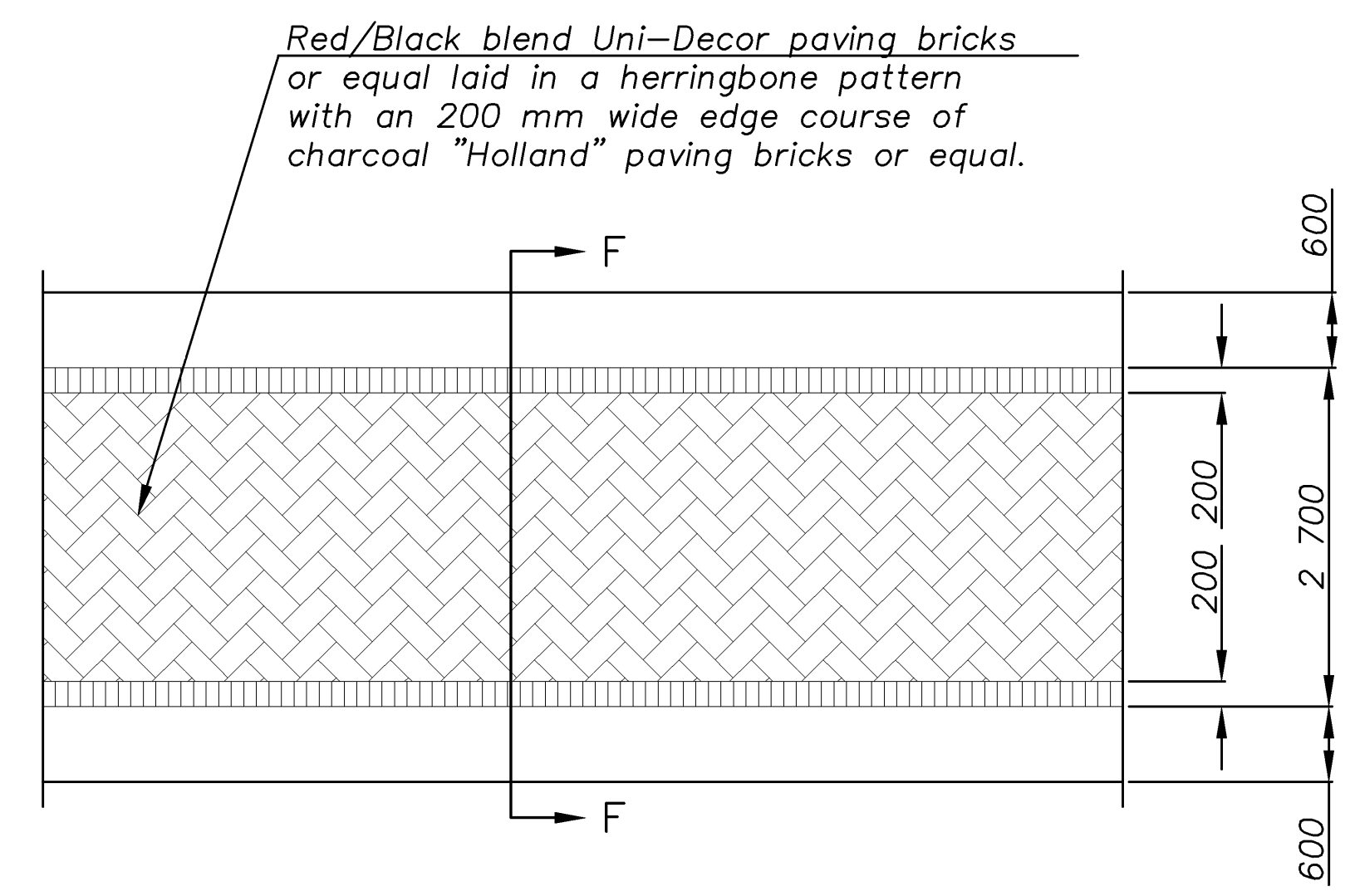
- Notes:
1. Payment for furnishing and placing dowel bars and reinforcing, off of bridge, shall be subsidiary to the bid item "225 mm Median Curb".
 2. Payment for sandbed and Class A Concrete under the bricks, shall be subsidiary to the bid item "Paving Bricks".
 3. Payment for the 25 mm ϕ weep hole with filter fabric shall be subsidiary to the bid item "Paving Bricks".
 4. Payment for 13 mm Expansion Joint Material shall be subsidiary to the bid item "Median Curb".



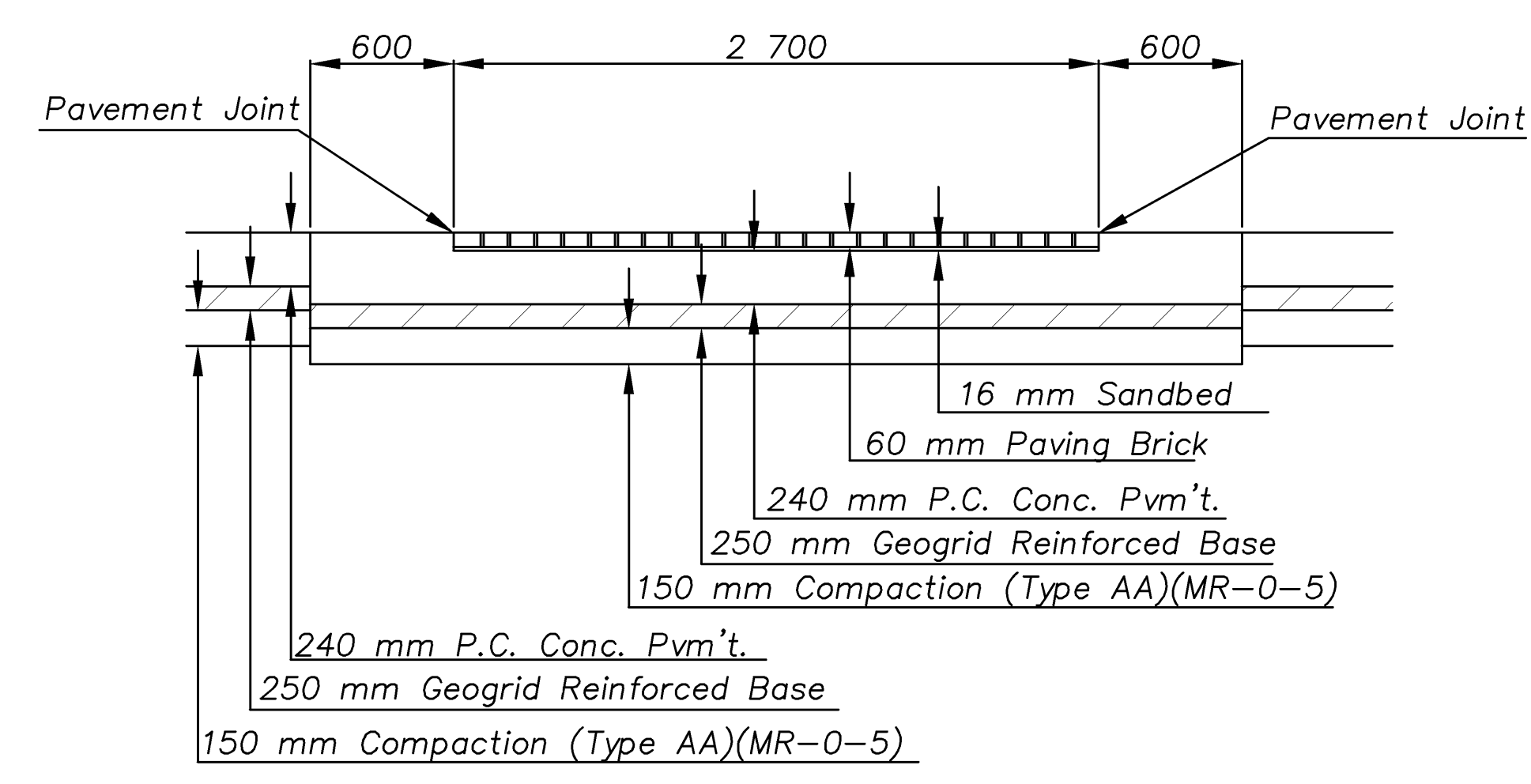
SECTION B-B



SECTION A-A

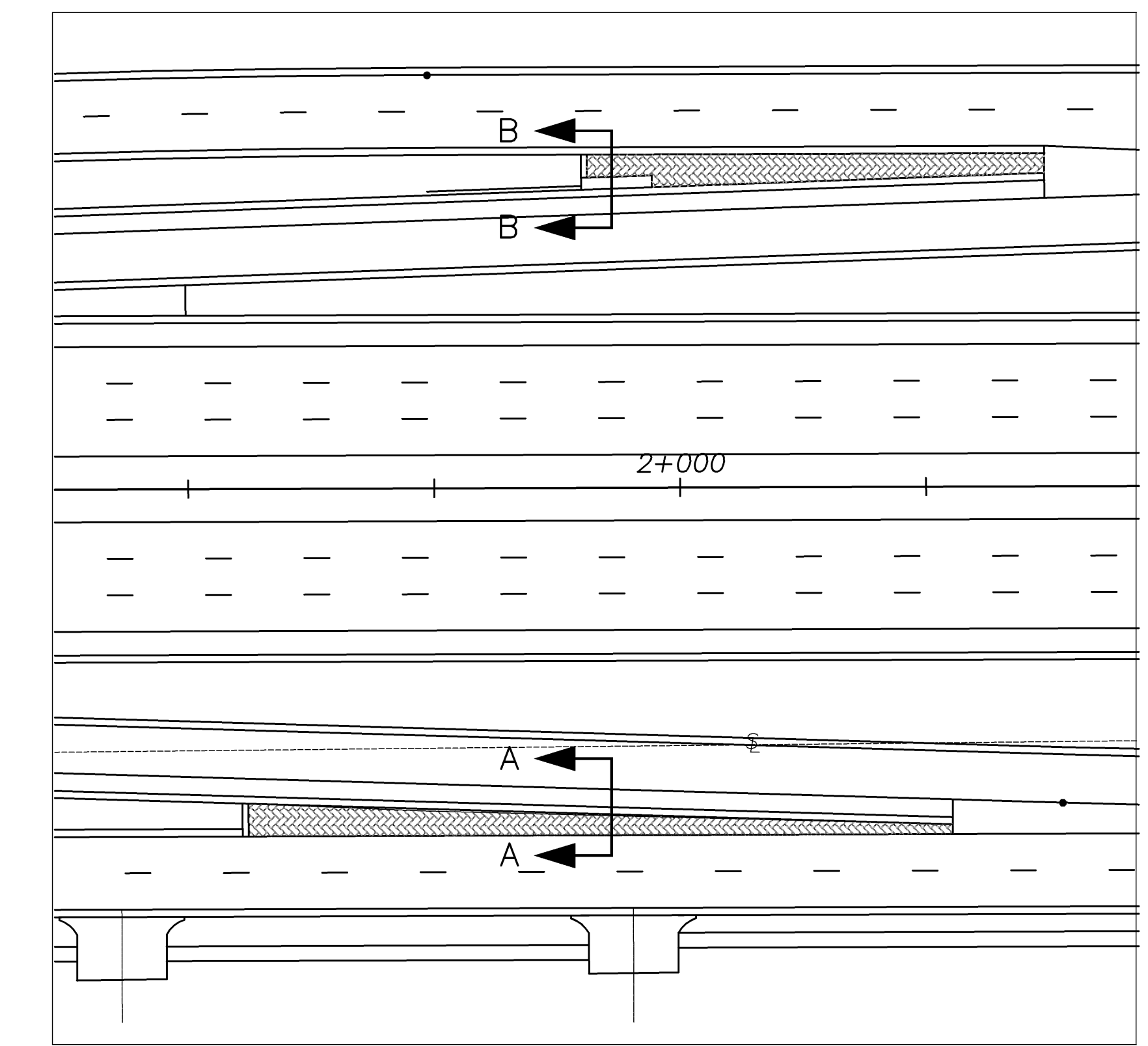


PLAN



SECTION F-F

PAVING BRICK CROSSWALK



PLAN AT RAMPS

DATE
BY

REFERENCE NOTED
REFERENCE CHECKED

SCALE

Plotter:

Drawn by:
File: