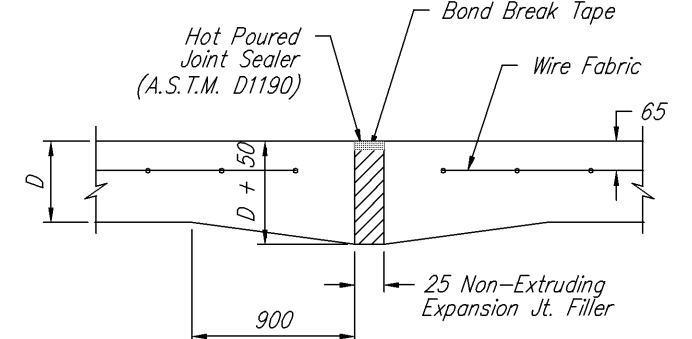
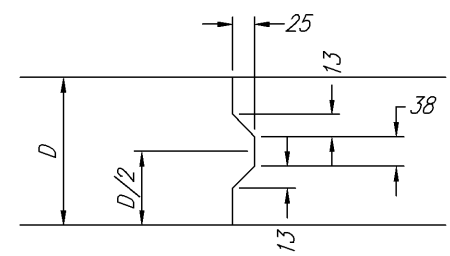


BY	DATE
REFERENCE NOTED	
REFERENCE CHECKED	

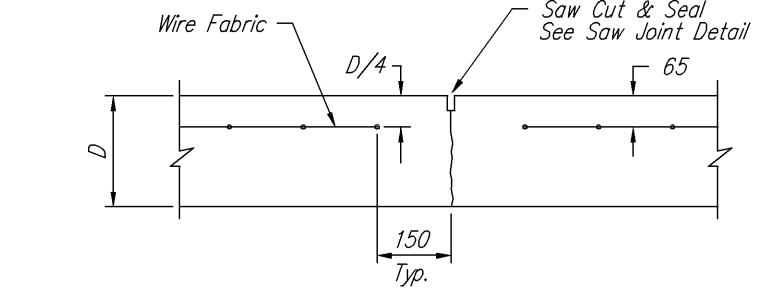


EXPANSION JOINT

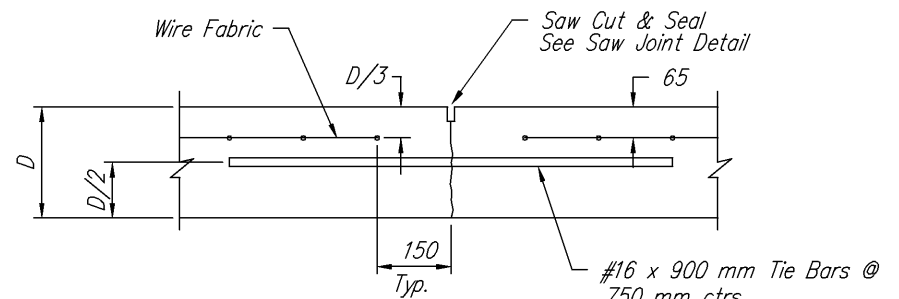
NOTE: Extra Thickness to be Subsidiary to Price of Square Yards Pavement



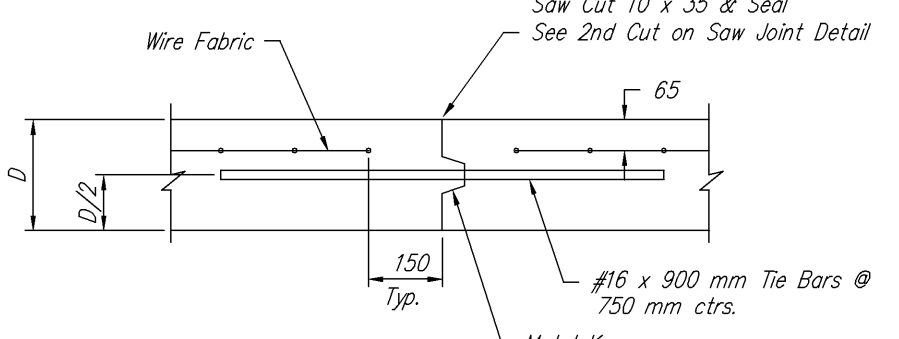
KEYWAY DETAIL



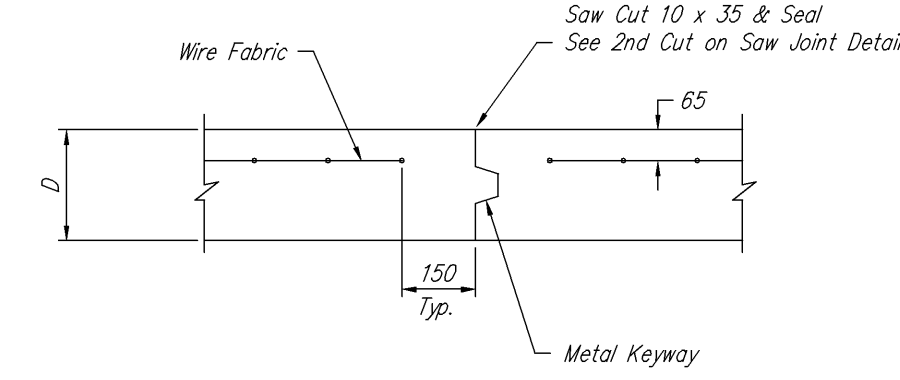
CONTRACTION JOINT DETAIL (C.J.)



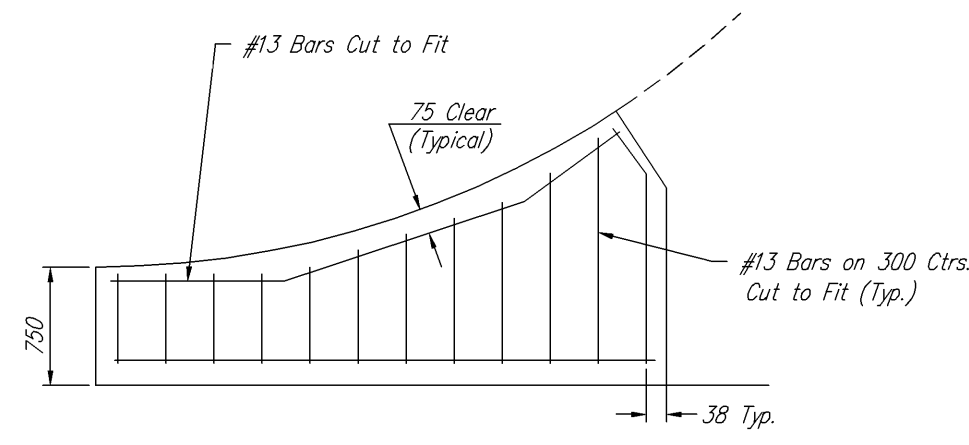
LONGITUDINAL JOINT DETAIL (L.J.)



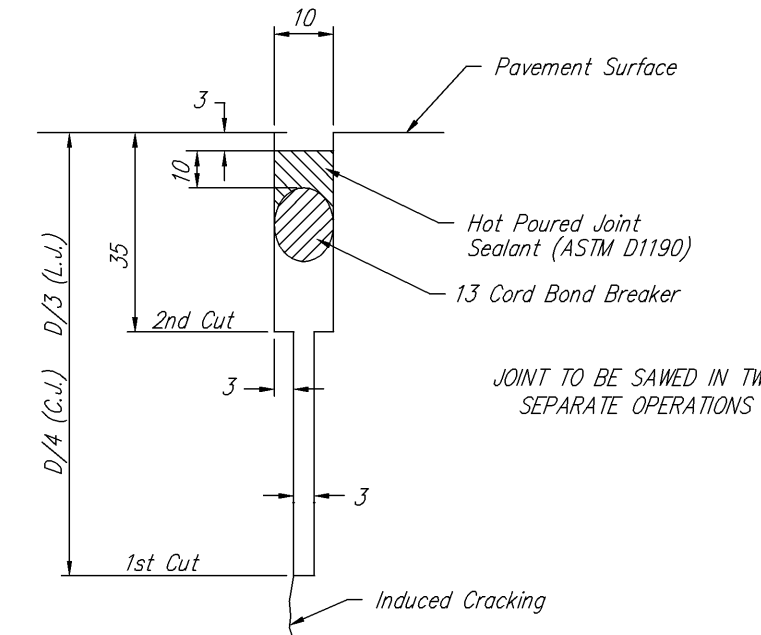
OPTIONAL LONGITUDINAL JOINT DETAIL (L.J.)



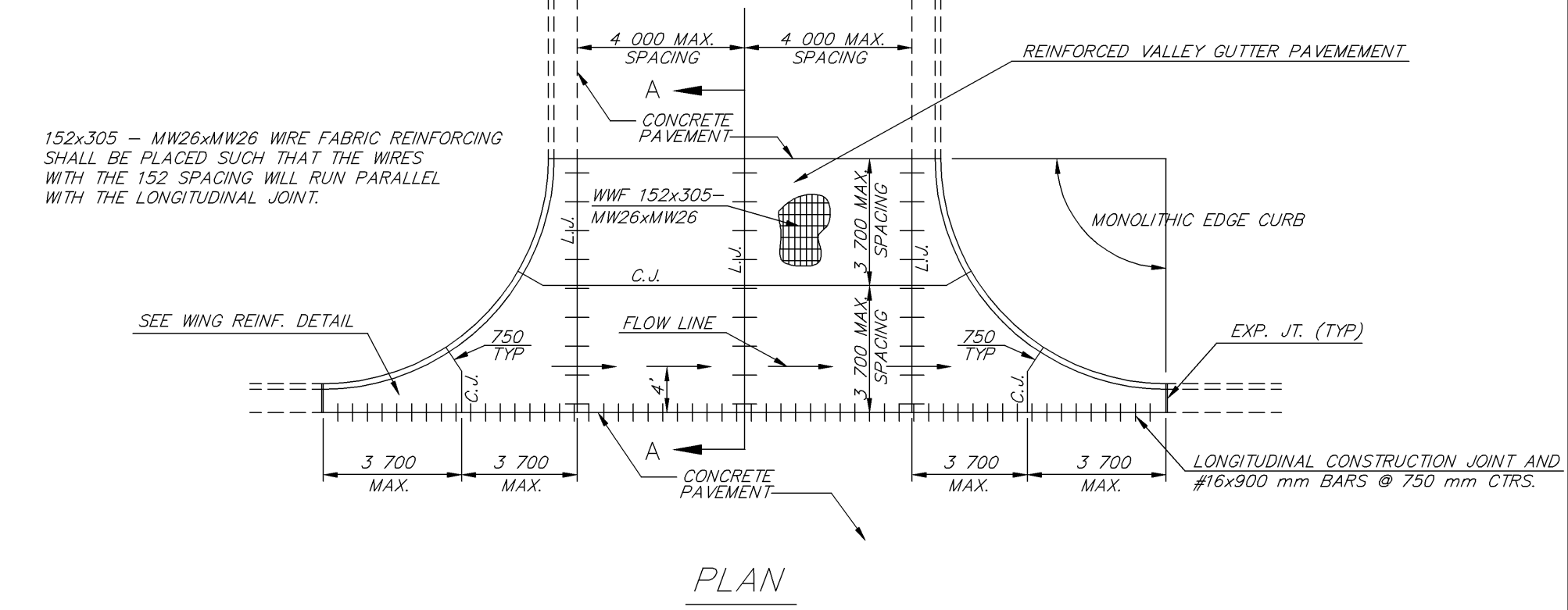
OPTIONAL CONTRACTION JOINT



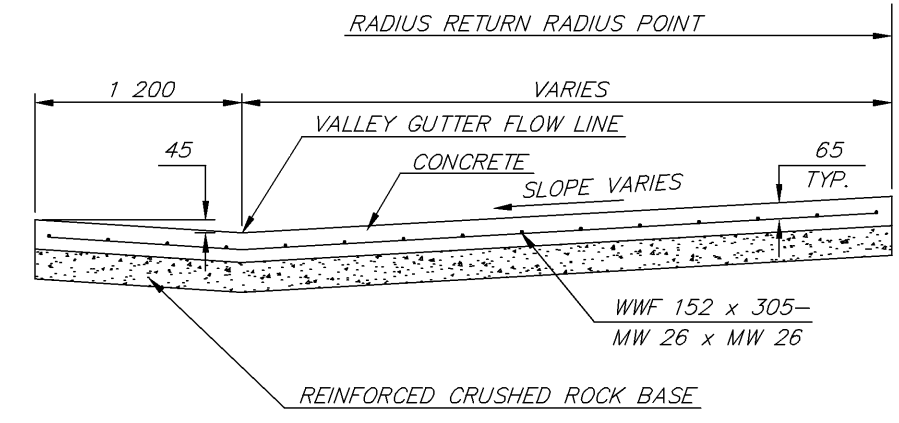
WING REINFORCING DETAIL



SAW JOINT DETAIL

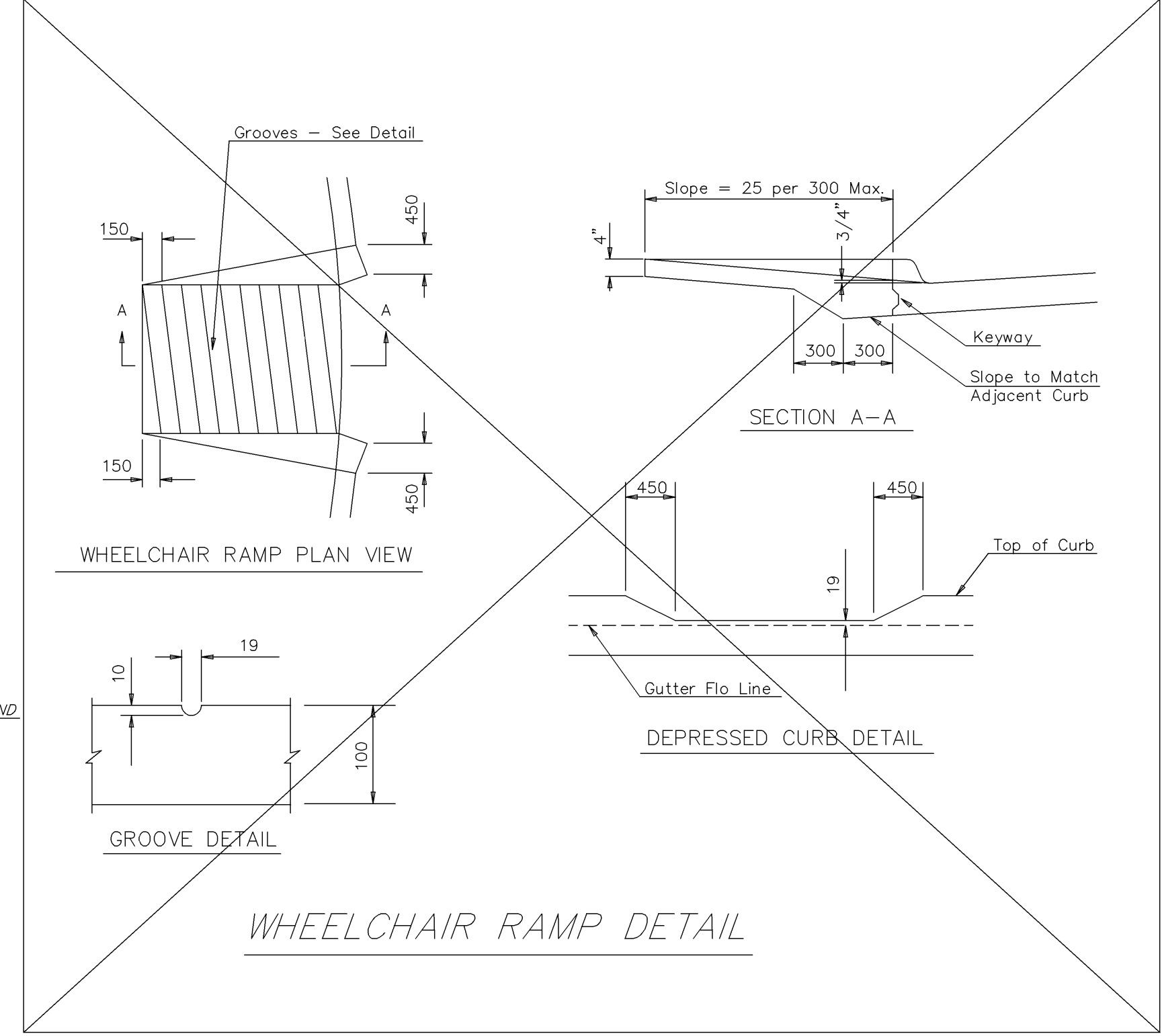


PLAN



SECTION A-A

REINFORCED VALLEY GUTTER DETAIL



Drawn by:	SCALE
File:	
Plot/est:	