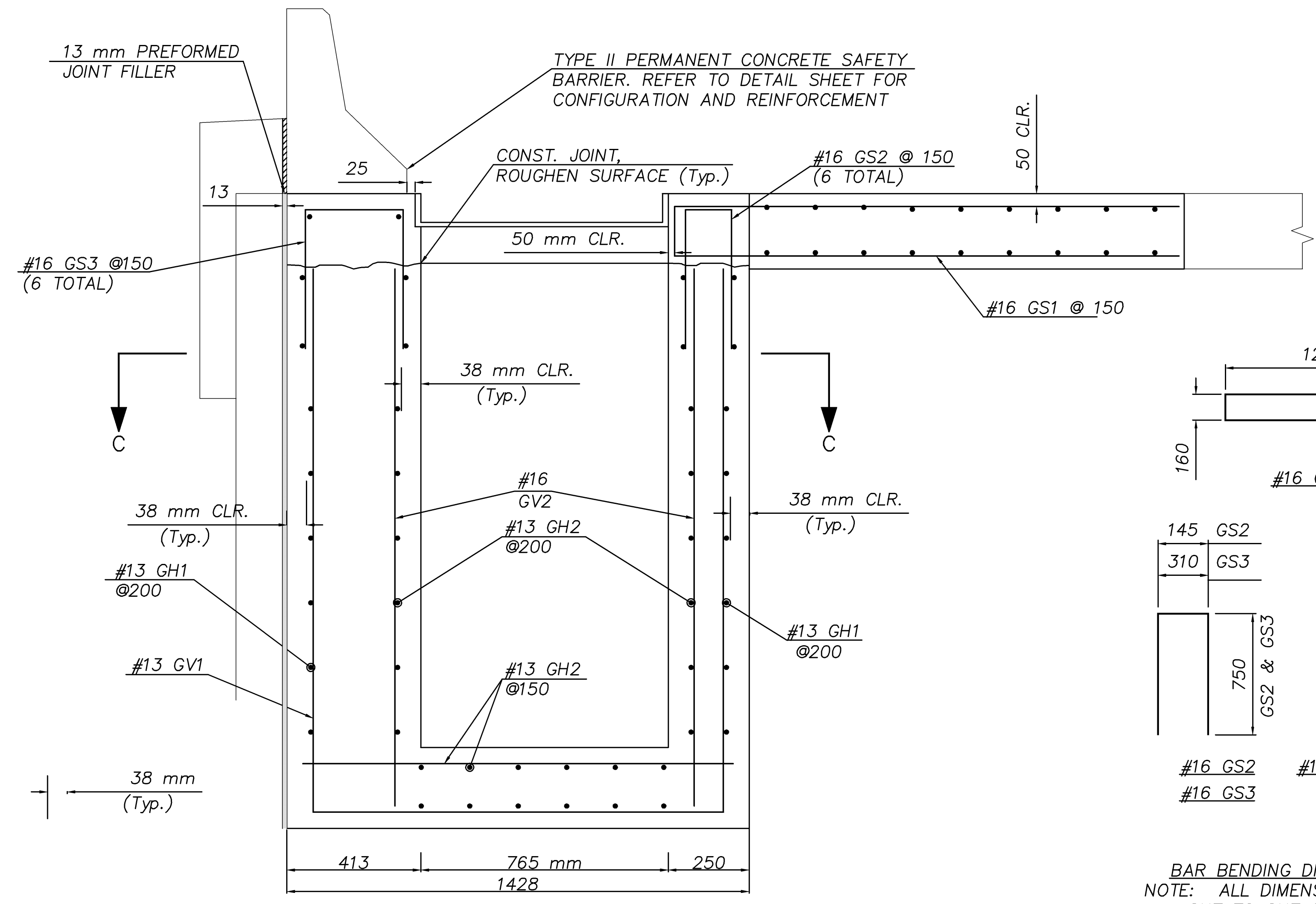


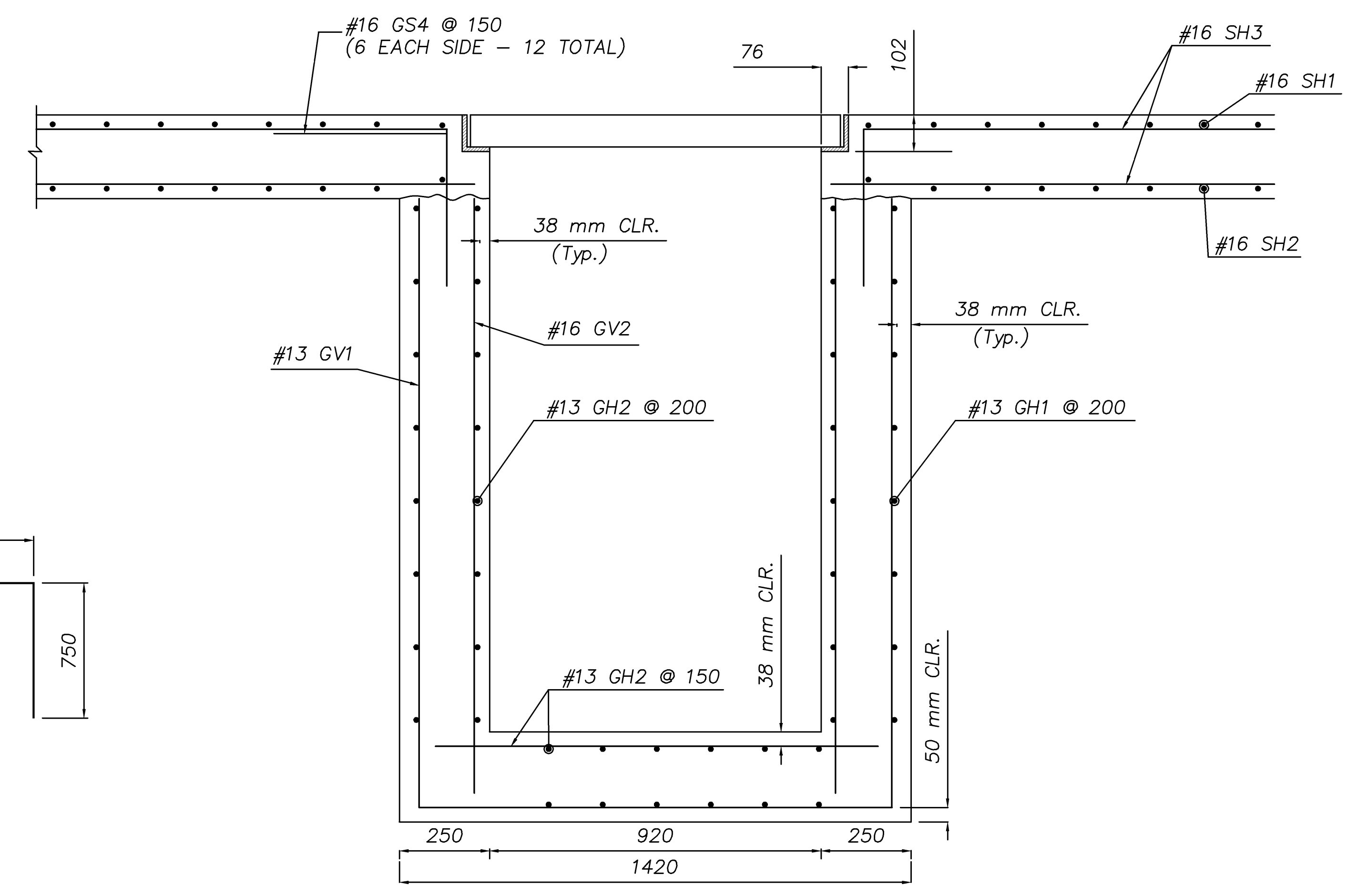
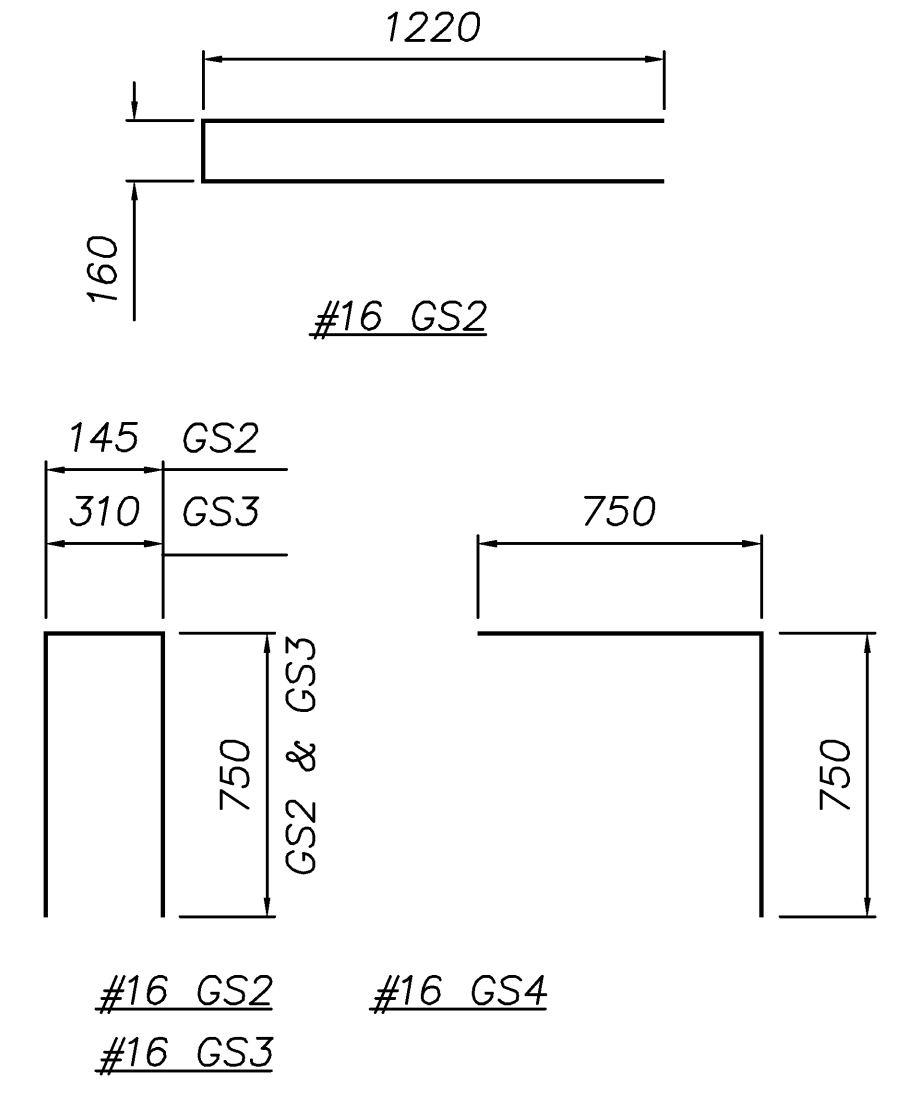
STATE	PROJECT NO.	YEAR	SHEET NO.	TOTAL SHEETS
KANSAS	54-87 K-8258-01	2007	88	556

DATE	BY	REFERENCE NOTED	REFERENCE CHECKED

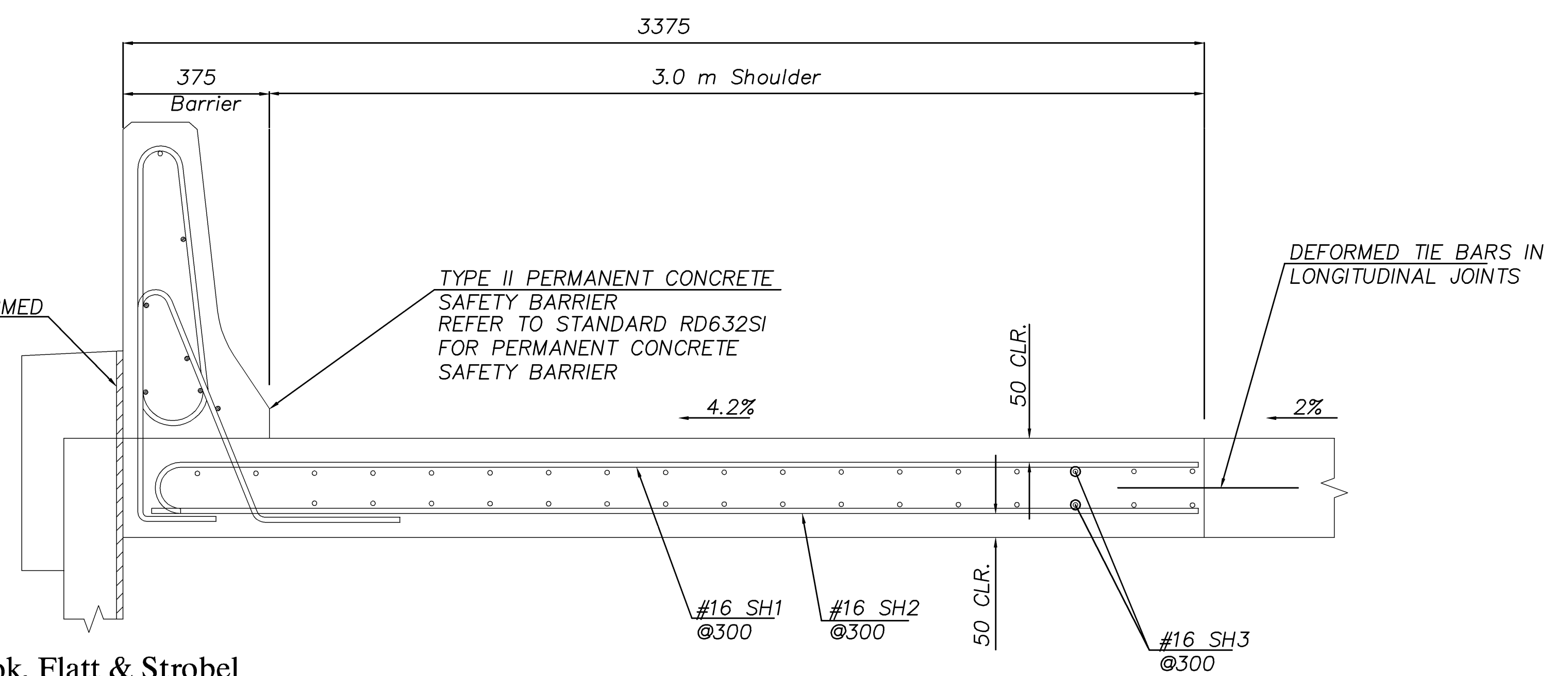


SECTION A-A

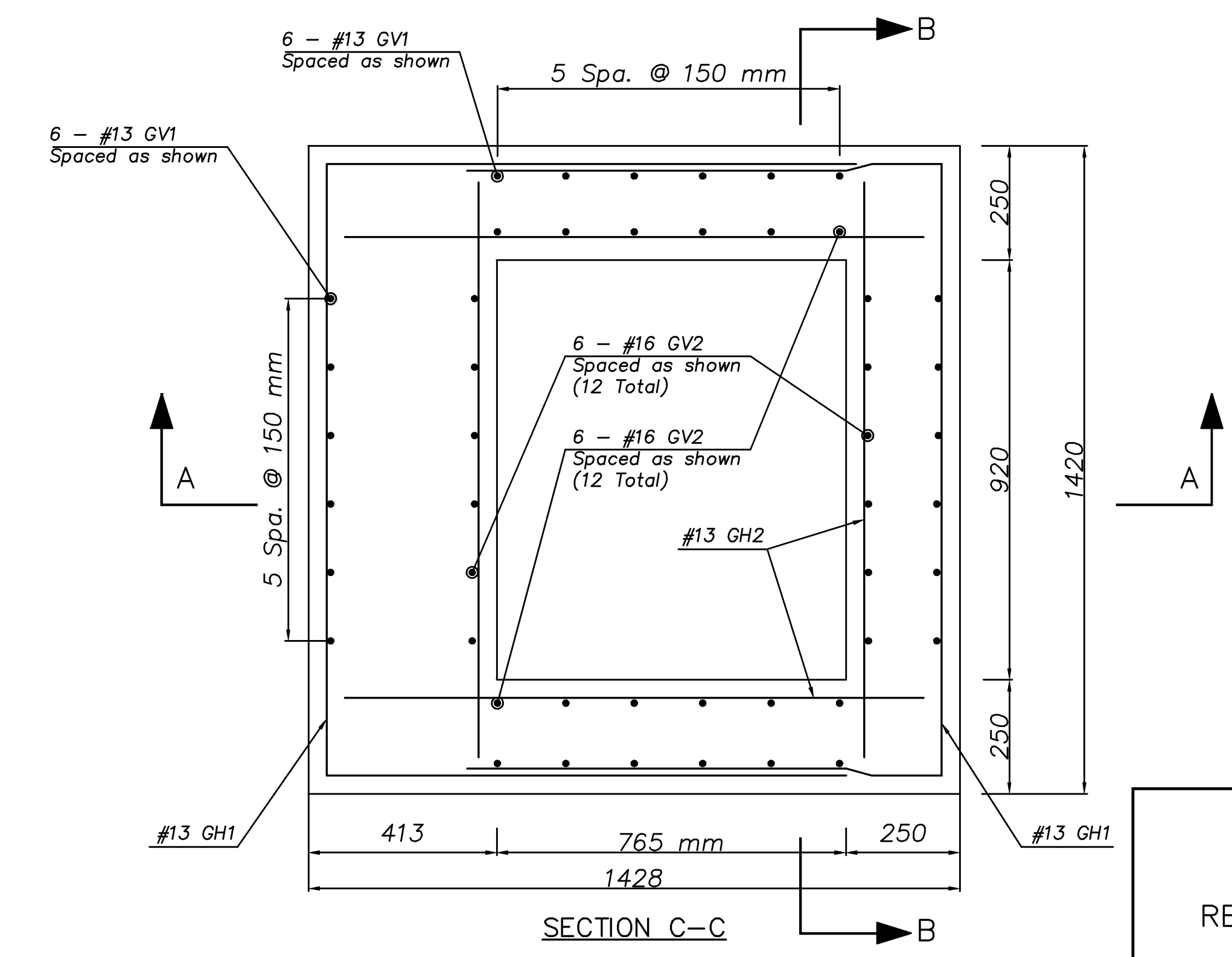
BAR BENDING DIAGRAMS  
NOTE: ALL DIMENSIONS ARE OUT TO OUT OF BARS.



SECTION B-B



SECTION D-D



SECTION C-C

NOTES  
1. REFER TO GRATE INLET SPECIAL (2) FOR SPECIAL GRATE AND FRAME DETAILS.

KANSAS DEPARTMENT OF TRANSPORTATION  
SHOULDER PAVEMENT AND GRATE INLET SPECIAL (2) REINFORCEMENT DETAILS - TWO