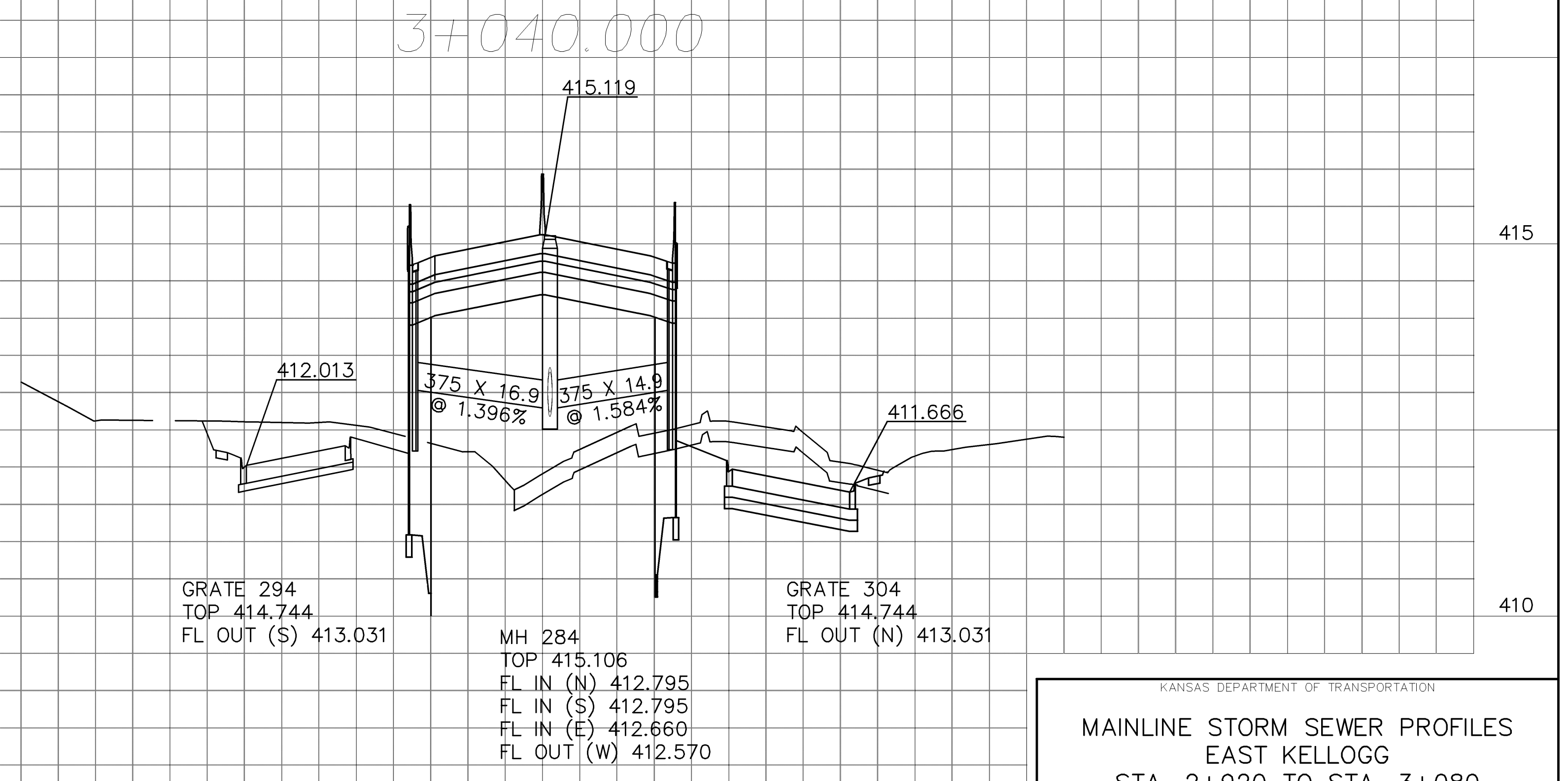
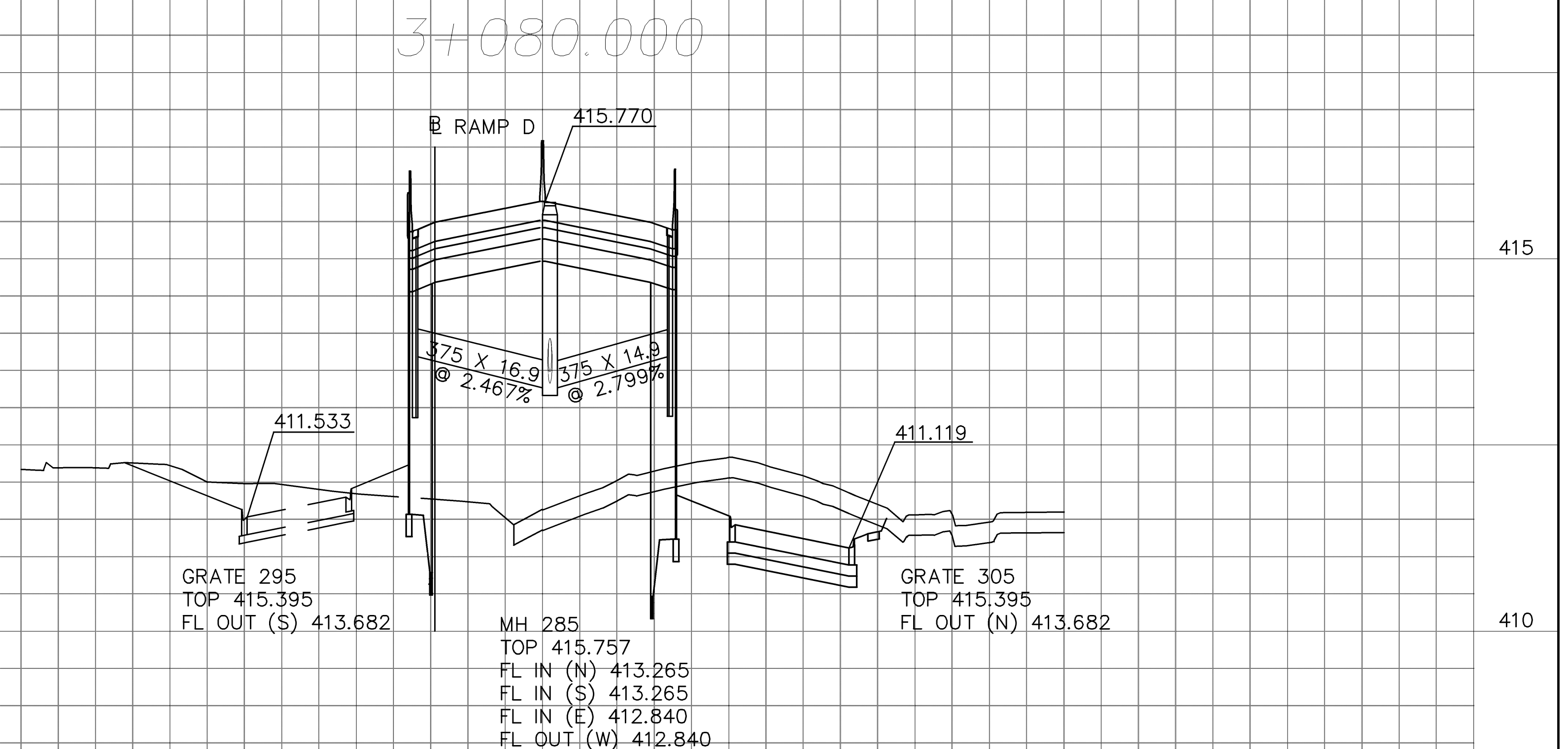
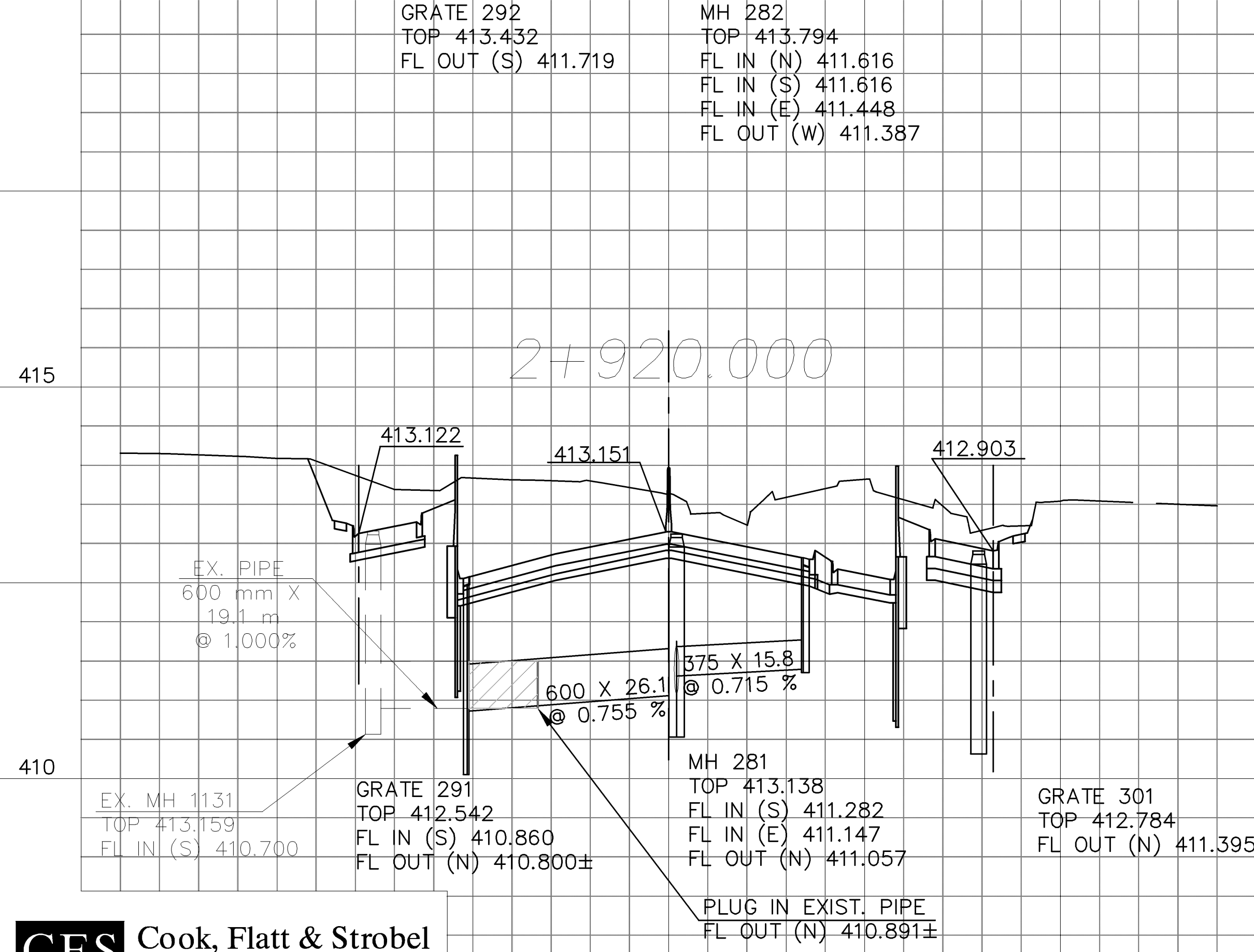
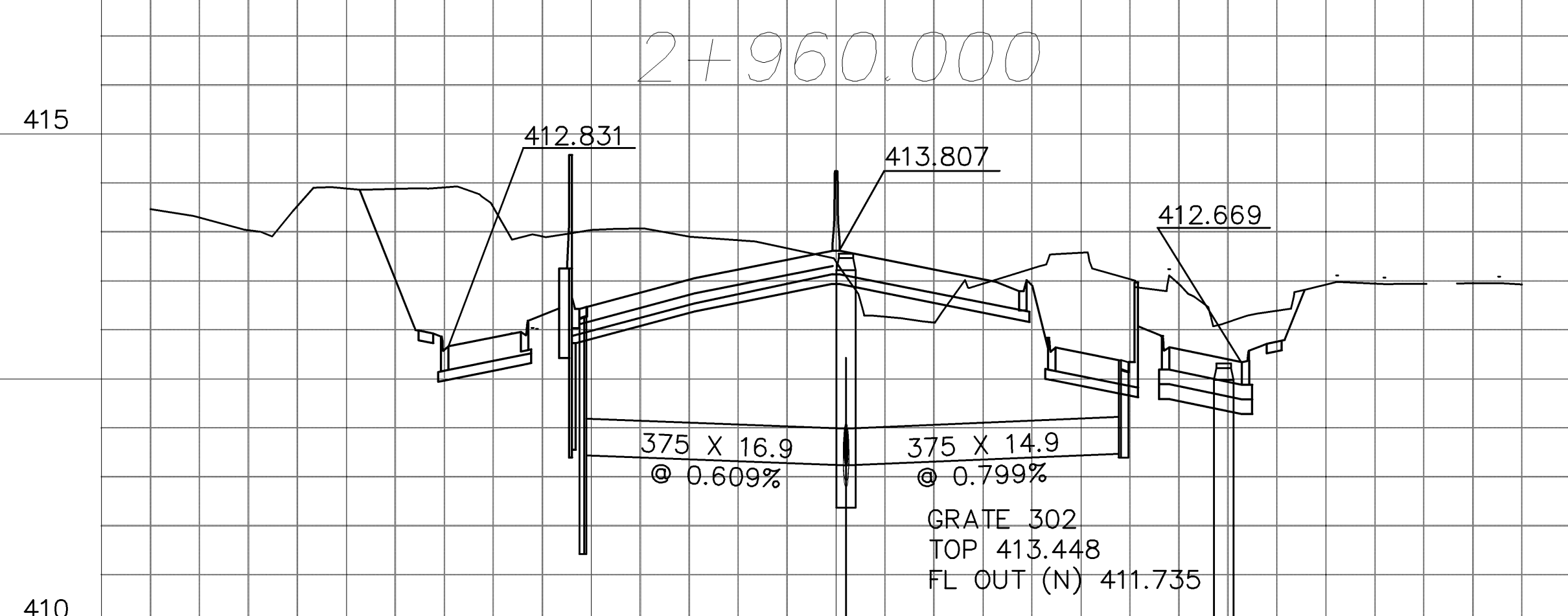
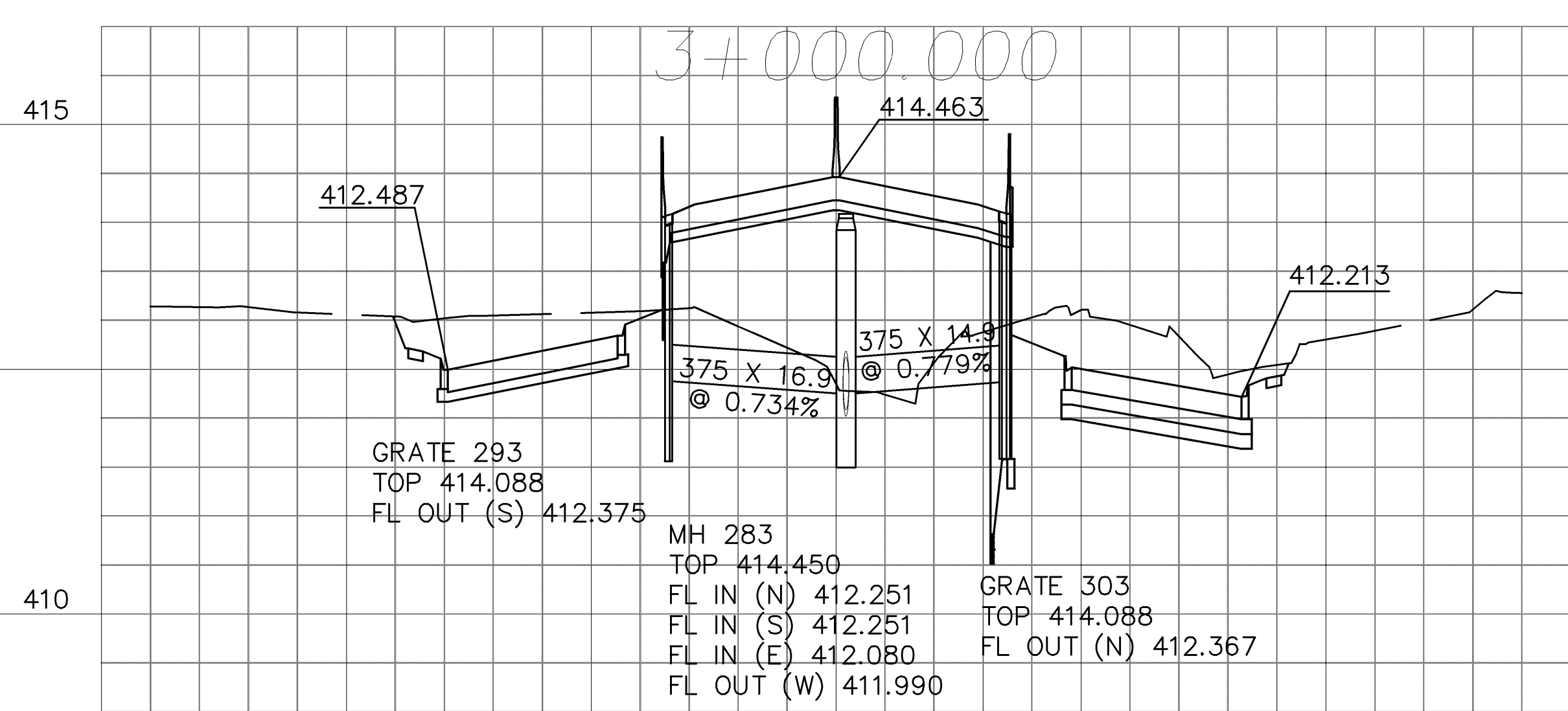


DATE
BY
REFERENCE NOTED
REFERENCE CHECKED



Drawn by: 93
File: 93
Plotted:
SCALE 1 : 500