

STATE	PROJECT NO.	YEAR	SHEET NO.	TOTAL SHEETS
KANSAS	54-87 K-8258-01	2007	164	556

SCALE = 1:500

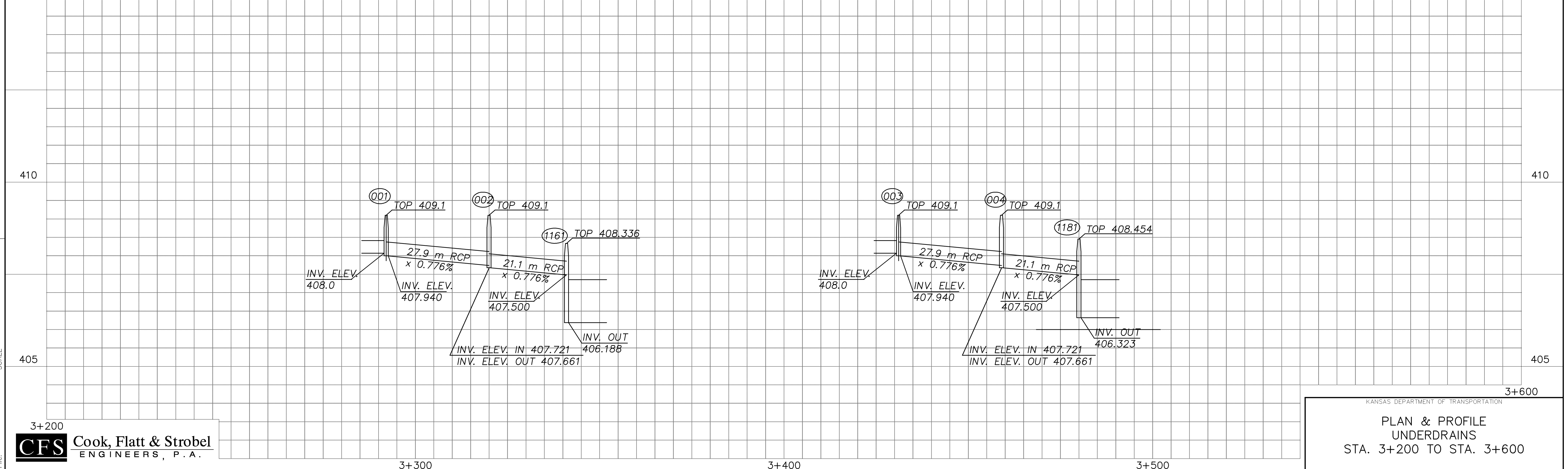
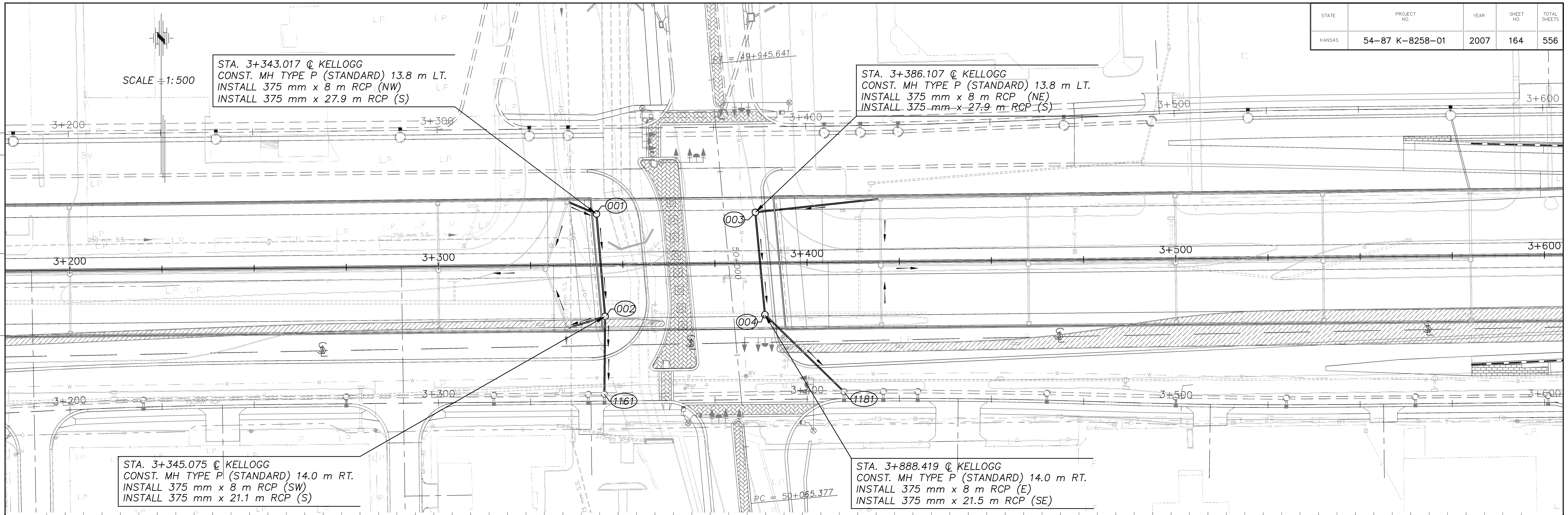
STA. 3+343.017 @ KELLOGG
 CONST. MH TYPE P (STANDARD) 13.8 m LT.
 INSTALL 375 mm x 8 m RCP (NW)
 INSTALL 375 mm x 27.9 m RCP (S)

STA. 3+386.107 @ KELLOGG
 CONST. MH TYPE P (STANDARD) 13.8 m LT.
 INSTALL 375 mm x 8 m RCP (NE)
 INSTALL 375 mm x 27.9 m RCP (S)

STA. 3+345.075 @ KELLOGG
 CONST. MH TYPE P (STANDARD) 14.0 m RT.
 INSTALL 375 mm x 8 m RCP (SW)
 INSTALL 375 mm x 21.1 m RCP (S)

STA. 3+888.419 @ KELLOGG
 CONST. MH TYPE P (STANDARD) 14.0 m RT.
 INSTALL 375 mm x 8 m RCP (E)
 INSTALL 375 mm x 21.5 m RCP (SE)

DATE
 BY
 REFERENCE NOTED
 REFERENCE CHECKED



3+200
CFS Cook, Flatt & Strobel
 ENGINEERS, P.A.

KANSAS DEPARTMENT OF TRANSPORTATION
 PLAN & PROFILE
 UNDERDRAINS
 STA. 3+200 TO STA. 3+600