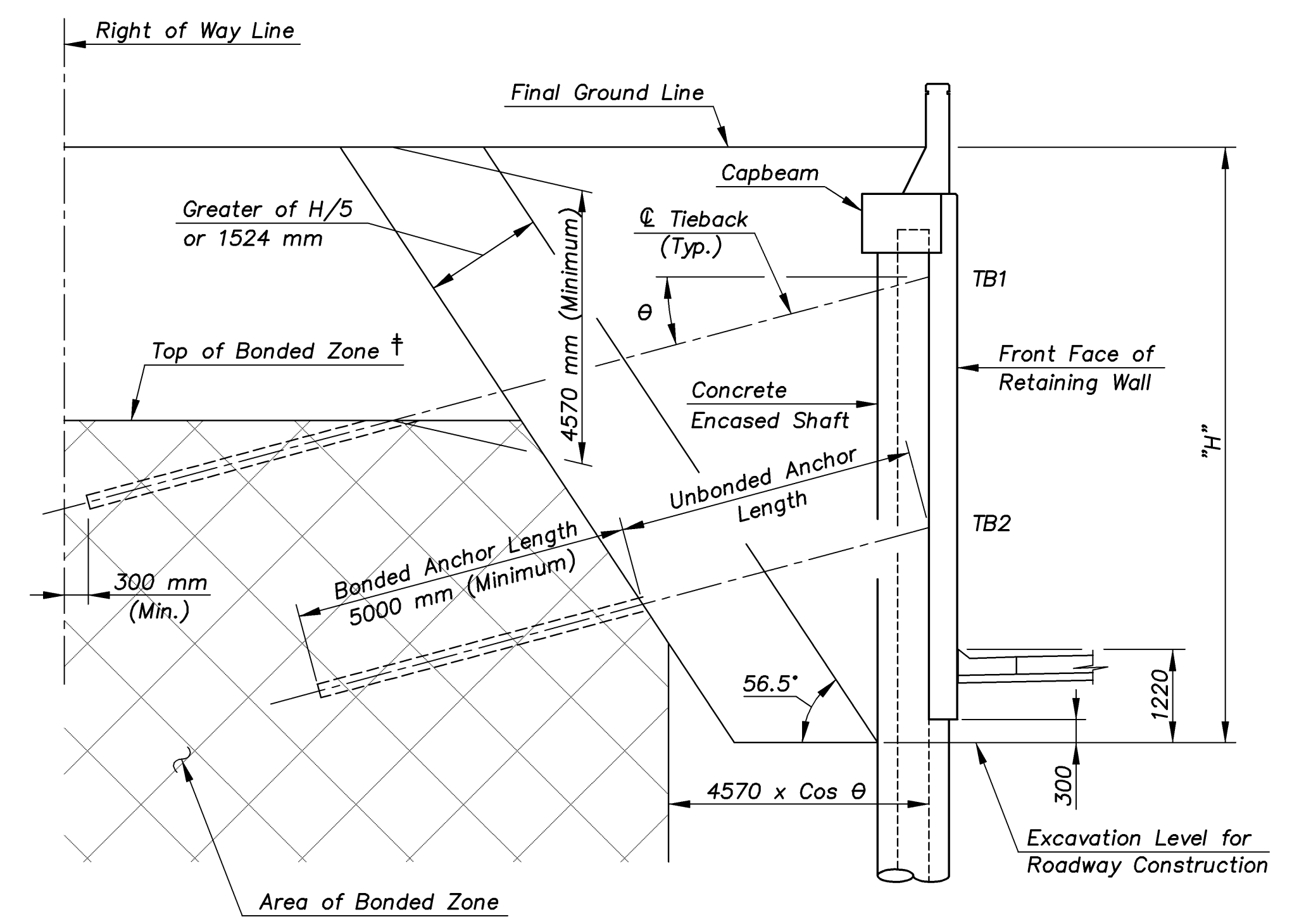
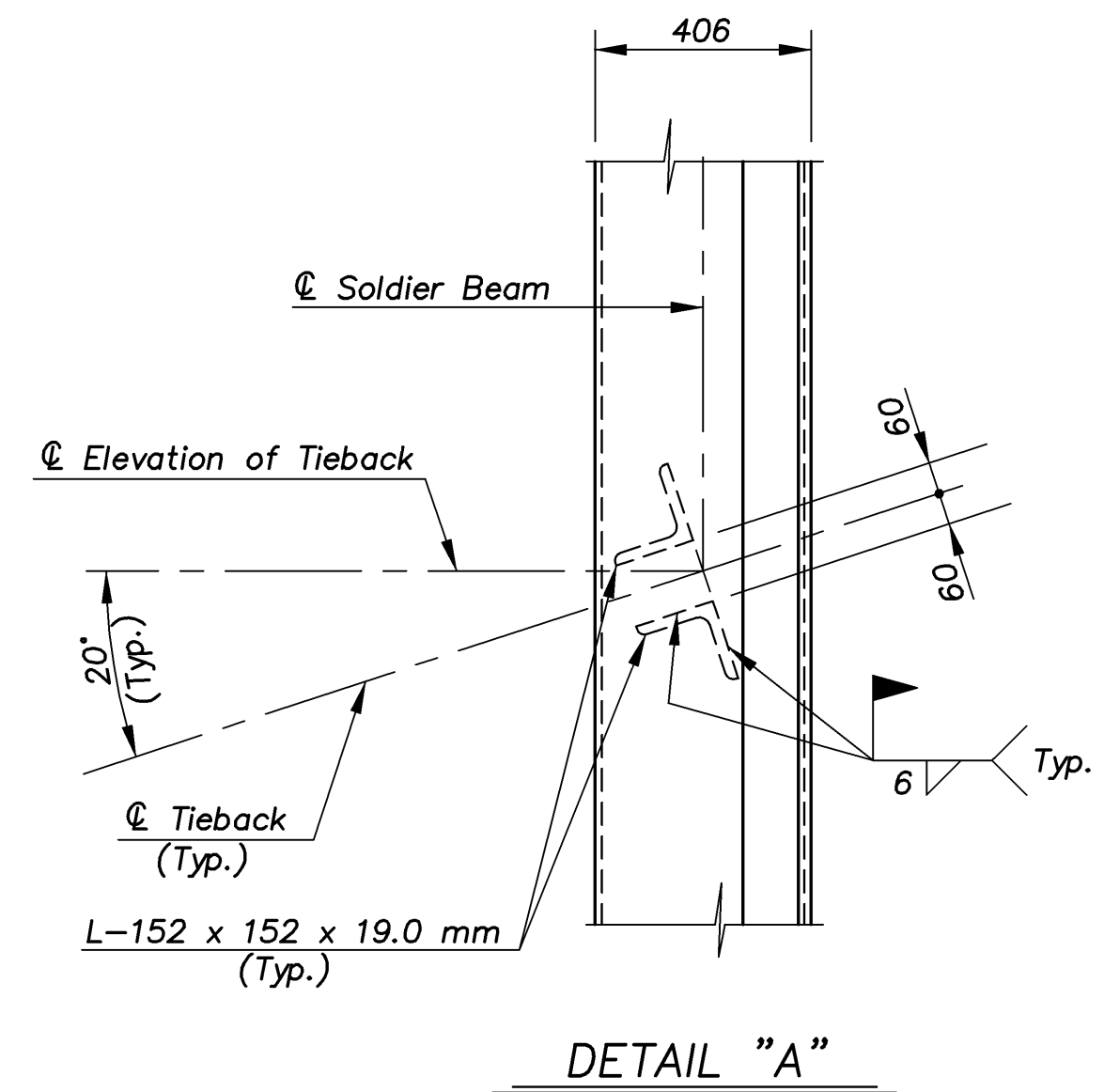
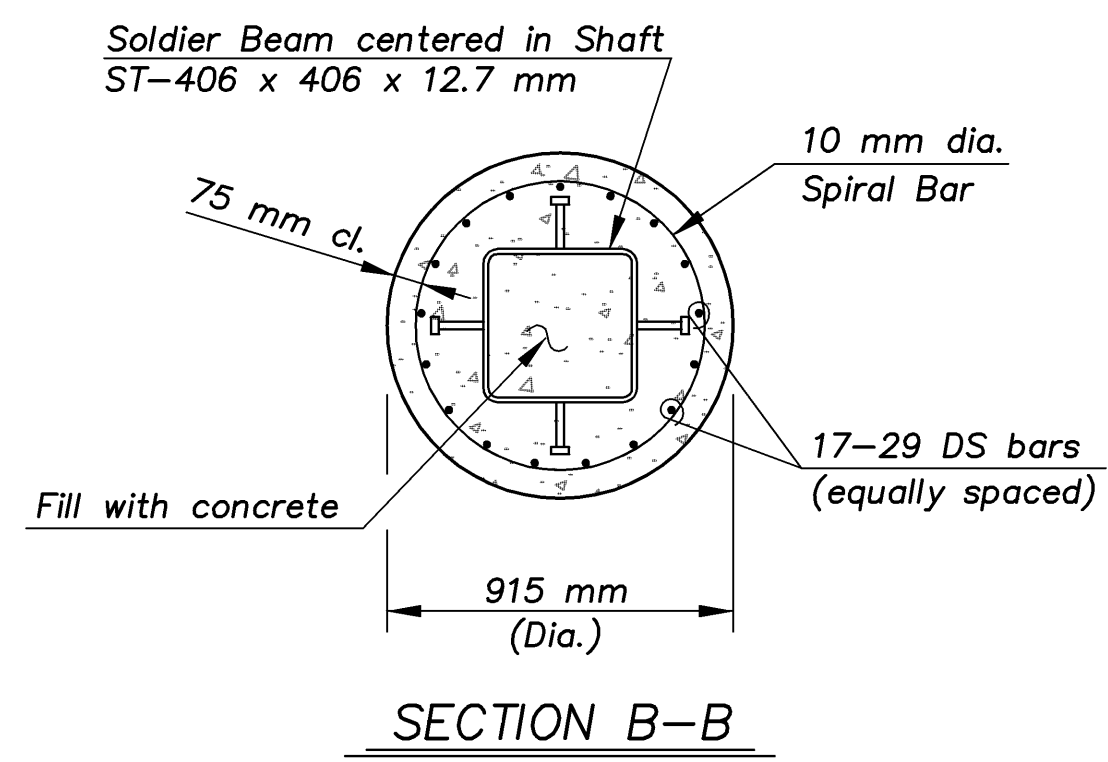
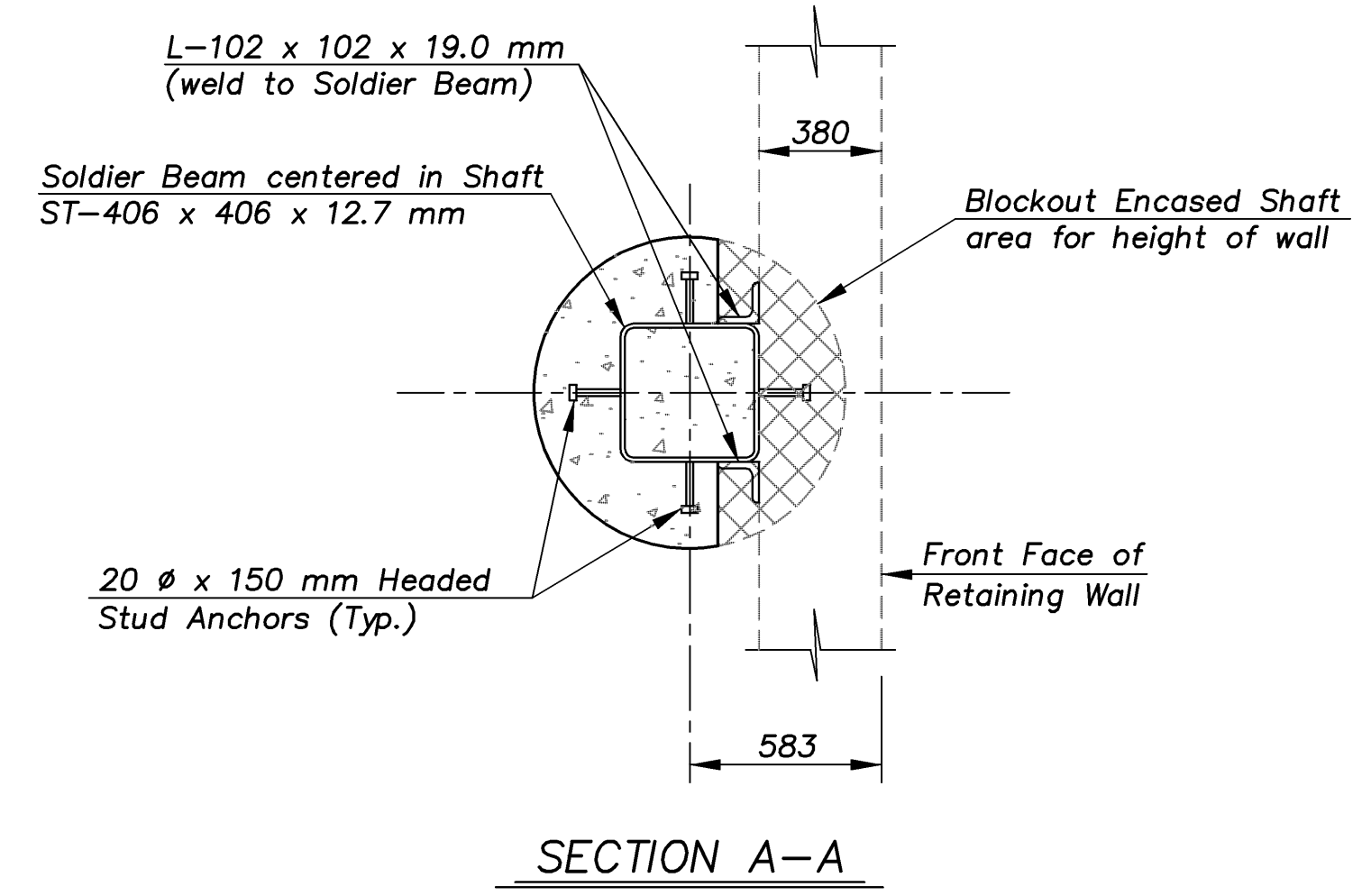
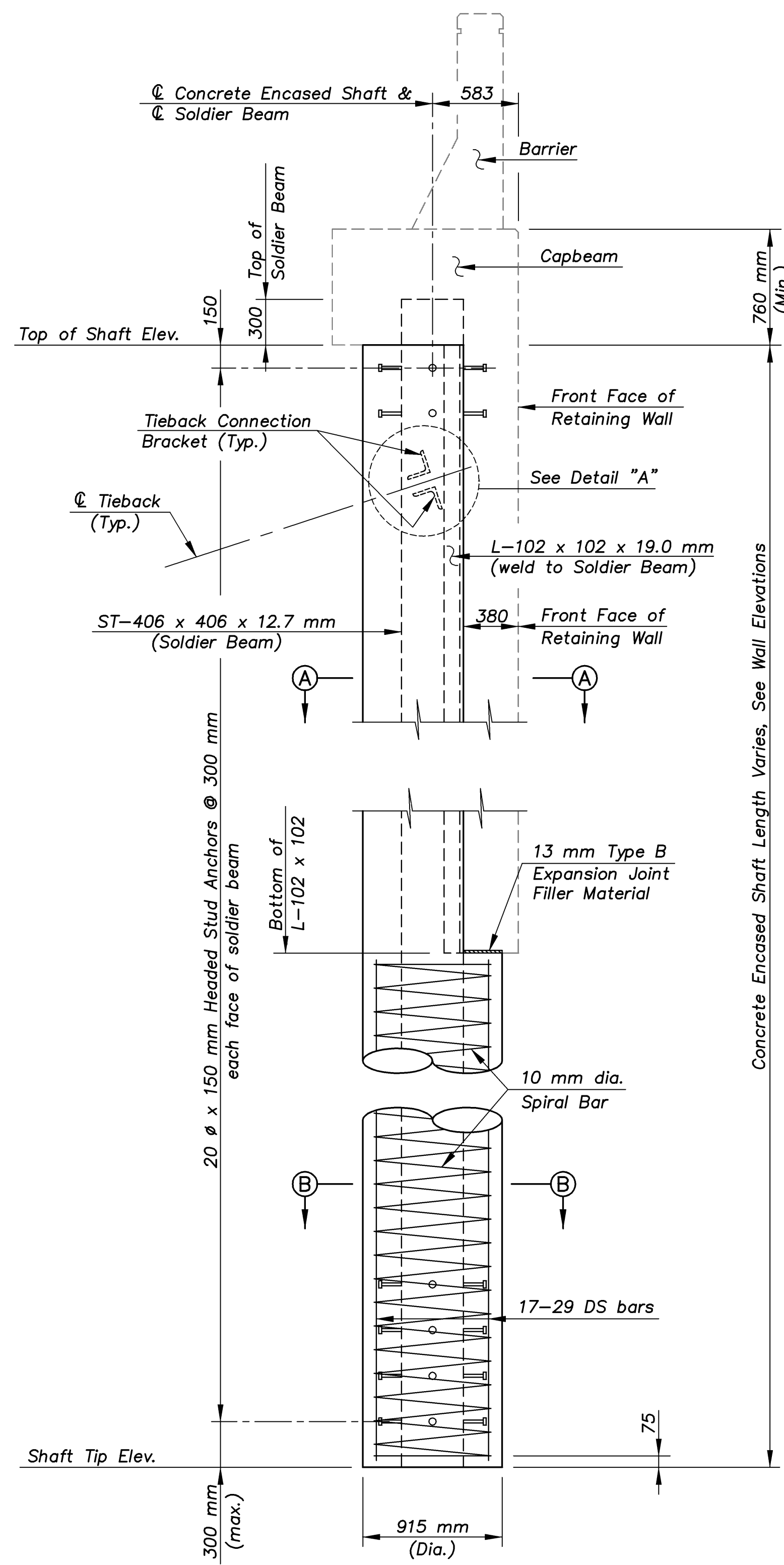


E.F. INDICATES EACH FACE.
N.F. INDICATES NEAR FACE.
F.F. INDICATES FAR FACE.

STATE	PROJECT NO.	YEAR	SHEET NO.	TOTAL SHEETS
KANSAS	54-87 K-8258-01	2007	233	556



\dagger NOTE: The Bonded Zone shall not be located above the top of weathered shale.

NOTE: The fabrication of structural tubes (Soldier Piles) shall allow for access for placement of tiebacks and tieback angles. The access shall not reduce the section modulus and moment of inertia of the structural tube.

KANSAS DEPARTMENT OF TRANSPORTATION

CFS
Cook, Flatt & Strobel
ENGINEERS, P. A.

ROCK ROAD RETAINING WALLS
CONCRETE ENCASEMENT SHAFT
& SOLDIER PILE DETAILS

DESIGNED R.S.C. SCALE Noted
DETAILED T.R.G. DATE
QUANTITIES T.R.G. SHEET 14 OF 27

Proj. No. 54-87 K-8258-01 SEDGWICK COUNTY

RET WALL/DETAILS 1:200