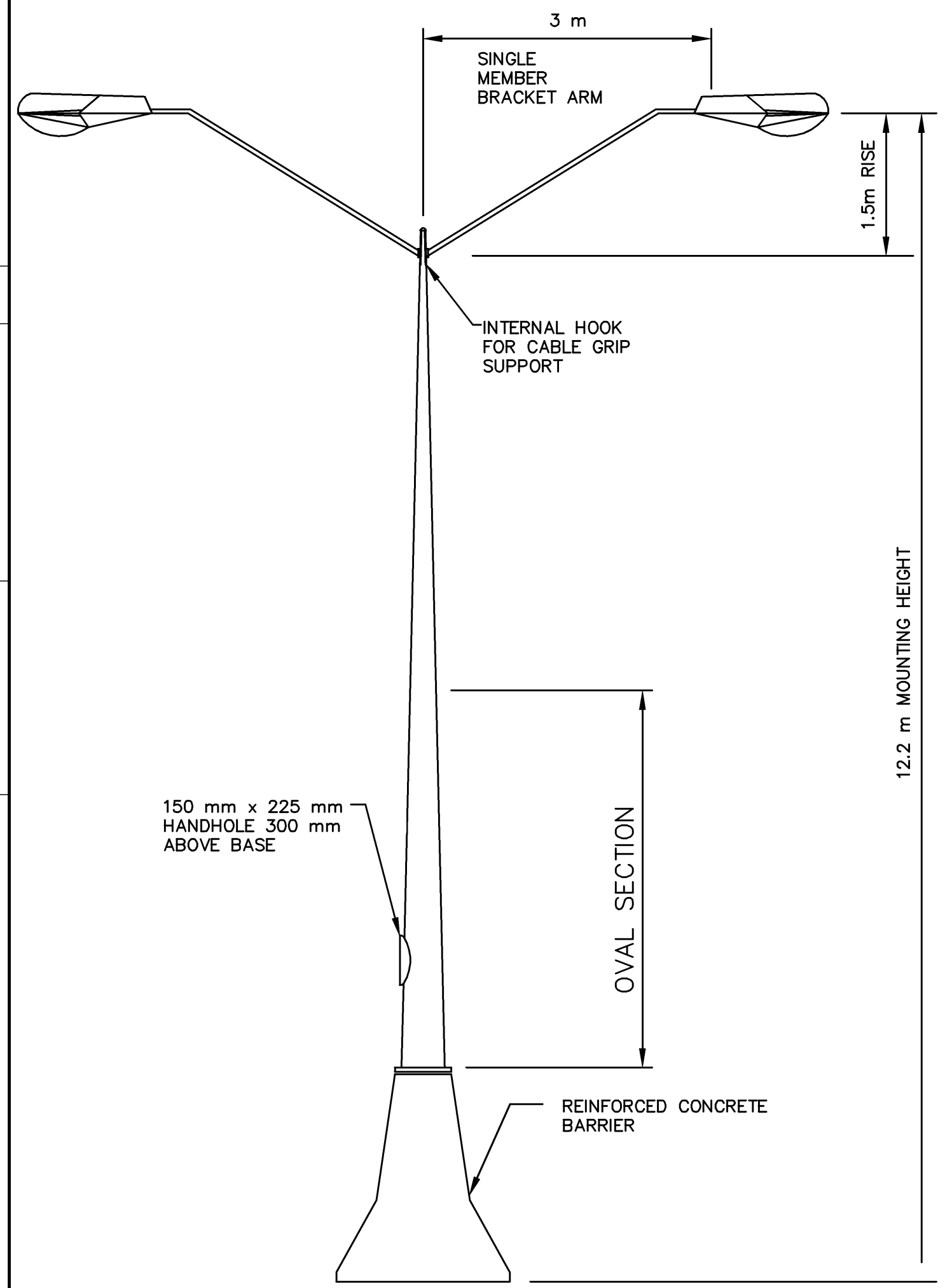


STATE	PROJECT NO.	YEAR	SHEET NO.	TOTAL SHEETS
KANSAS	54-87 K-8258-01	2007	338	556

DATE	
BY	
REFERENCE NOTED	
REFERENCE CHECKED	



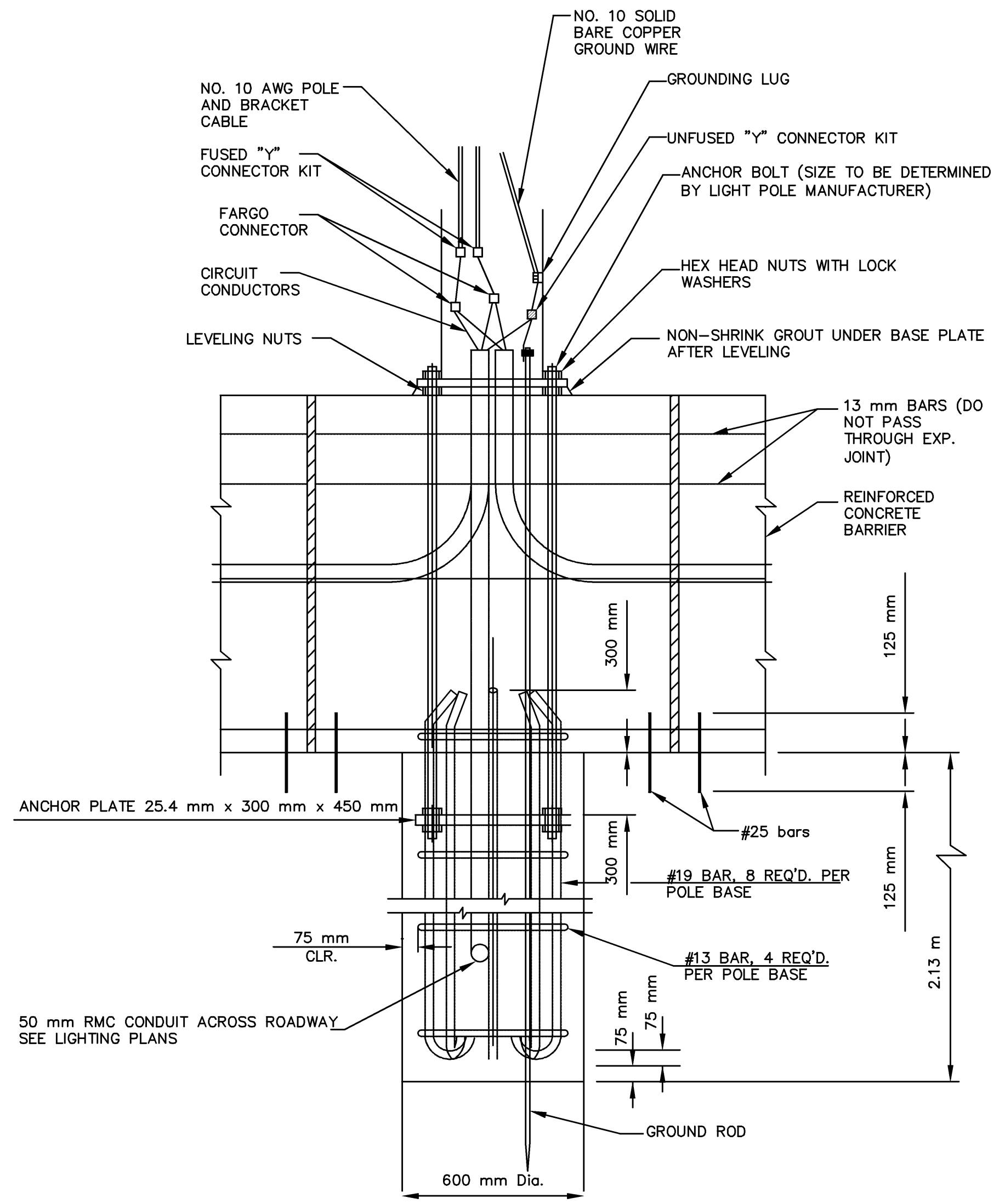
BARRIER MOUNTED LIGHT POLE (CONTROLLER D)

NOTES:

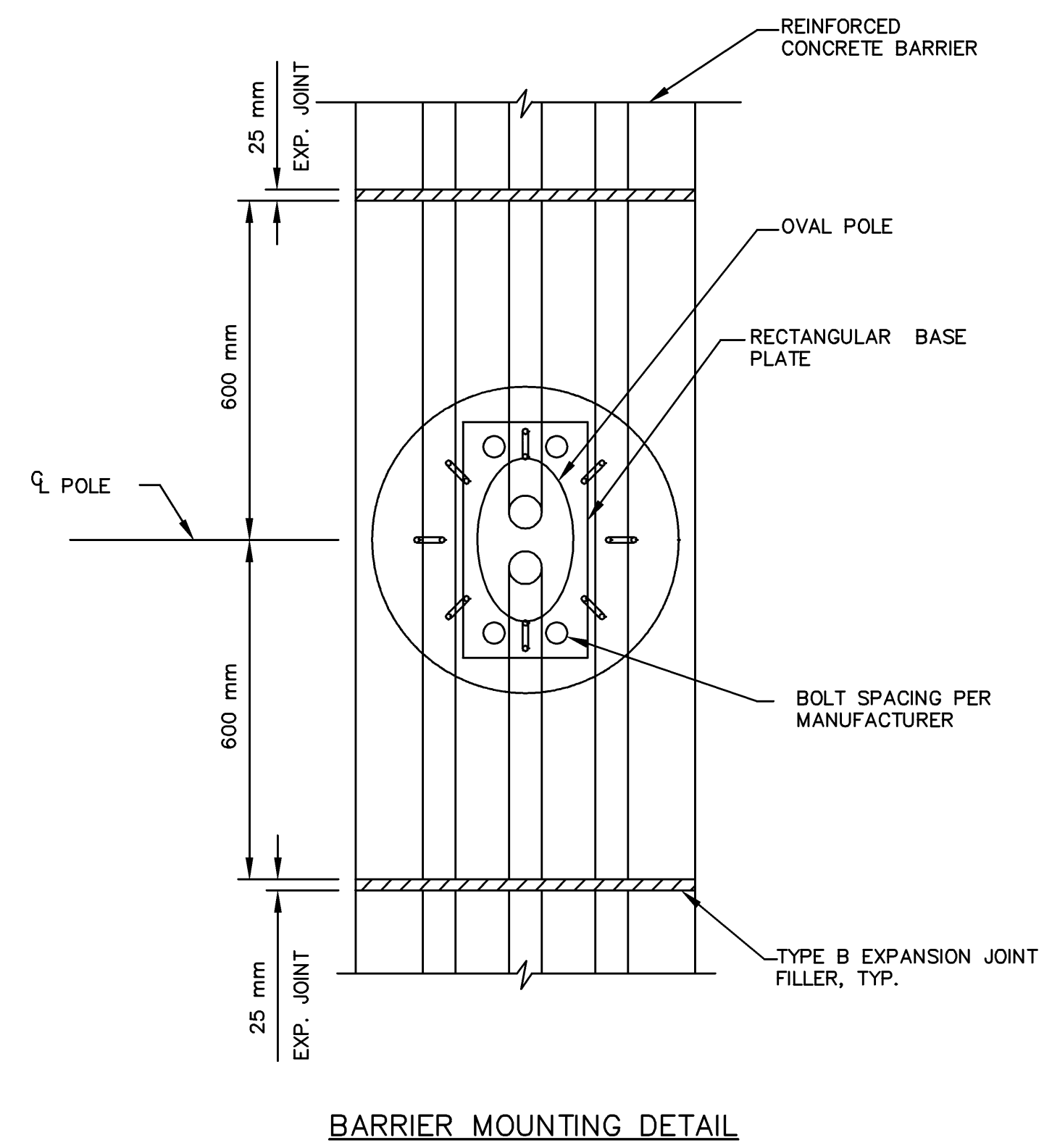
THE LIGHT STANDARD SHALL BE GROUNDED BY MEANS OF A No. 6 BARE AWG SOLID BARE COPPER GROUND WIRE BOLTED TO THE GROUNDING LUG INSIDE THE POLE SHAFT. THE GROUND WIRE SHALL BE CONNECTED TO THE GROUND ROD BY MEANS OF A GROUND ROD CLAMP.

POLES SHALL BE CAREFULLY SET, RAKED BACK TO PROVIDE A VERTICAL ALIGNMENT. THE ALIGNMENT OF THE POLES IS AN ESSENTIAL FEATURE OF THE INSTALLATION. THE WORK SHALL BE AS NEARLY PERFECT AS PRACTICAL AND NO PERCEPTIBLE TOLERANCE WILL BE PERMITTED.

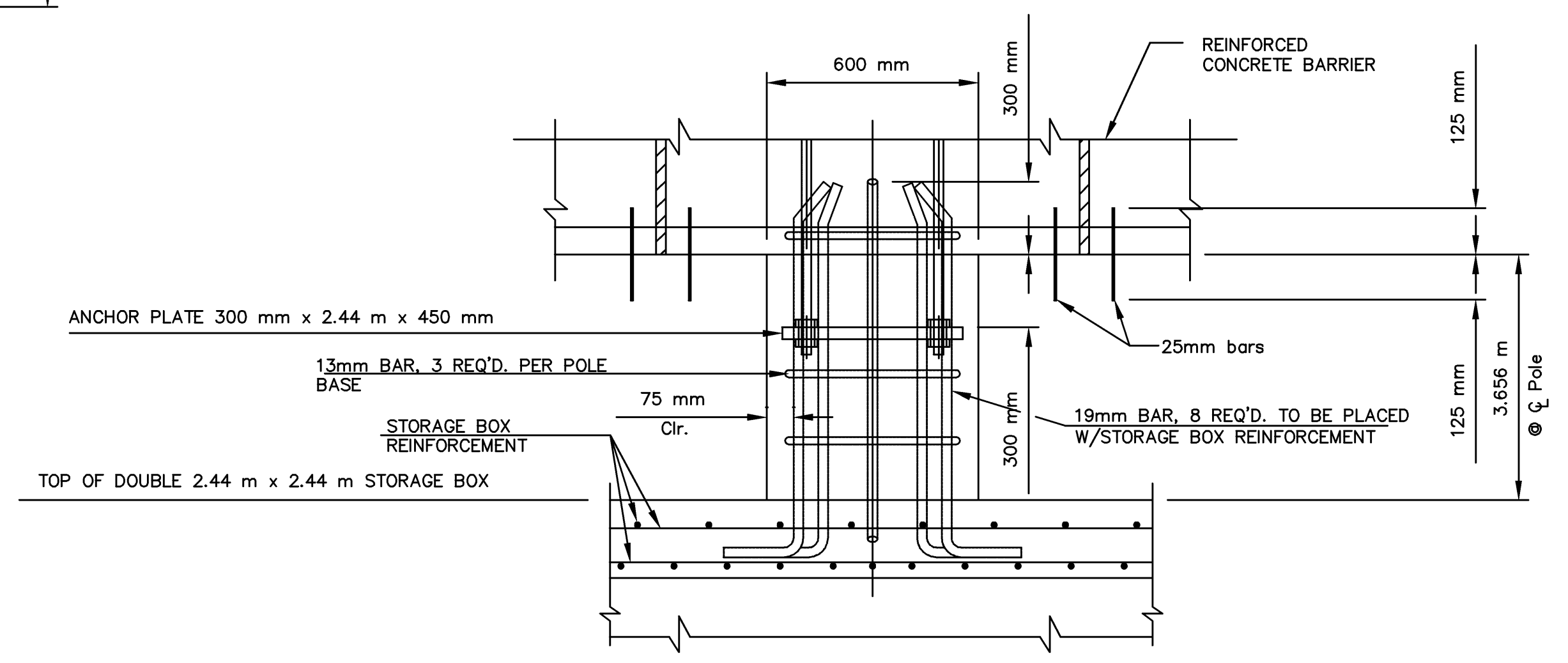
MAINLINE POLES (ALL POLES ON CONTROLLER D TO MATCH EXISTING MAINLINE POLES ON WOODLAWN PROJECT.)



CONCRETE FOUNDATION FOR BARRIER MOUNTED LIGHT POLE



BARRIER MOUNTING DETAIL



CONCRETE FOUNDATION FOR BARRIER MOUNTED LIGHT POLE OVER STORAGE BOX

Drawn by: M223
 Plotted: SCALE



NO.	DATE	REVISIONS	BY	APP'D.

KANSAS DEPARTMENT OF TRANSPORTATION
LIGHTING DETAILS
CENTER MEDIAN BARRIER MOUNTED
LIGHT POLE