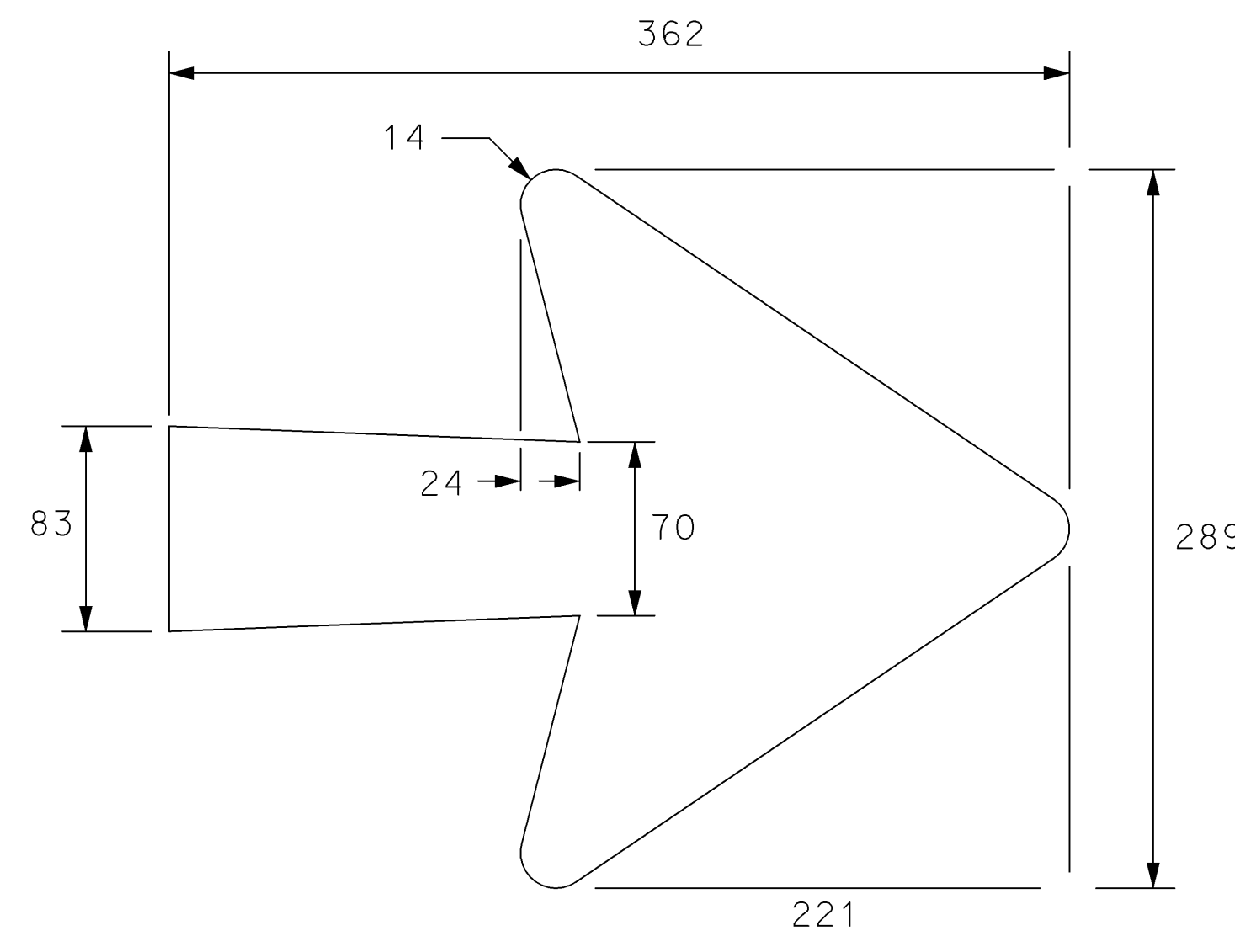


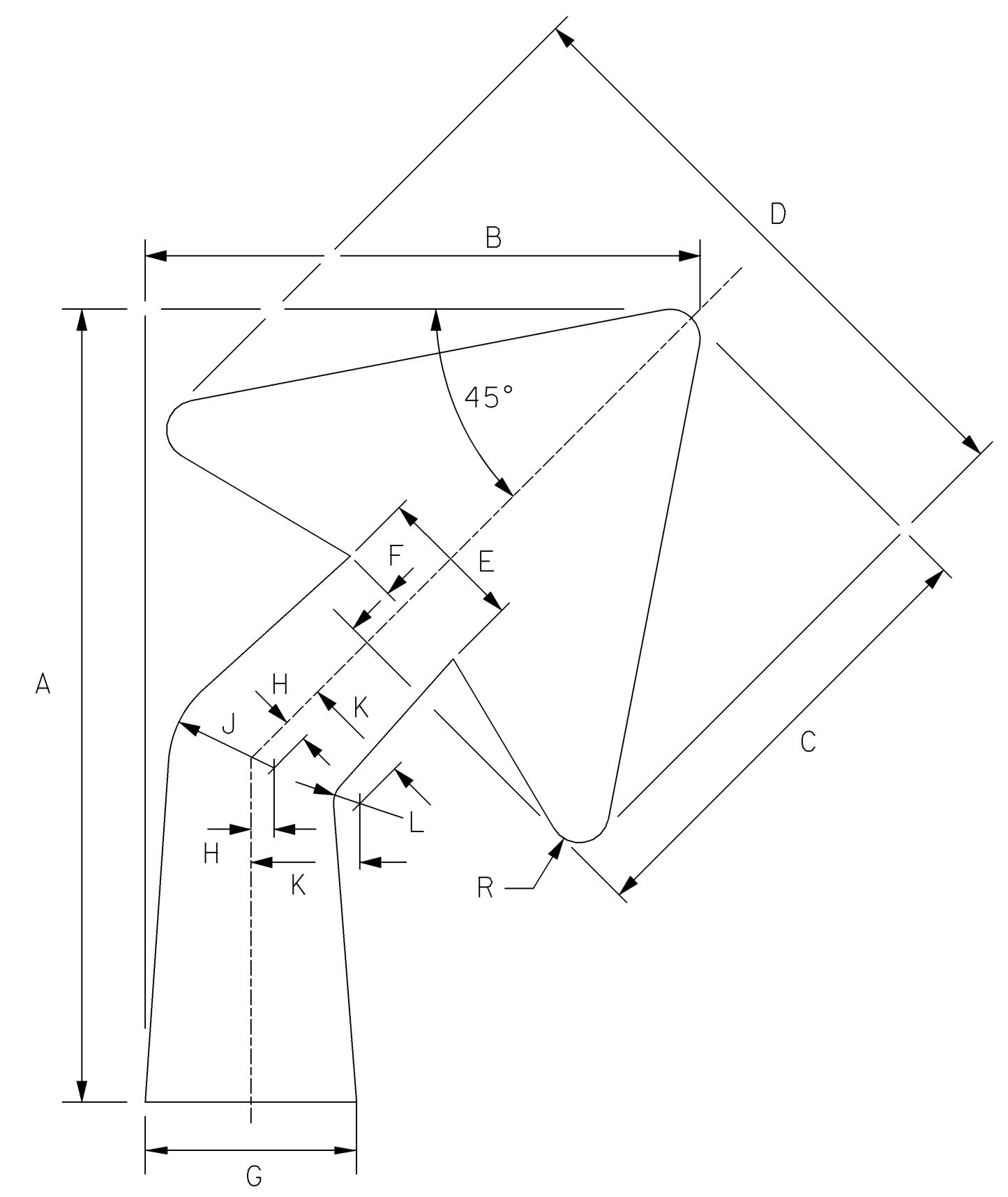
ARROW DIMENSIONS (mm)

	A	B	C	D	E	F	R
265 mm U.C.	384	294	95	127	33	616	21
340 mm U.C.	464	356	114	152	38	743	19
400 mm U.C.	565	432	137	181	44	905	25

Type "A" Arrow

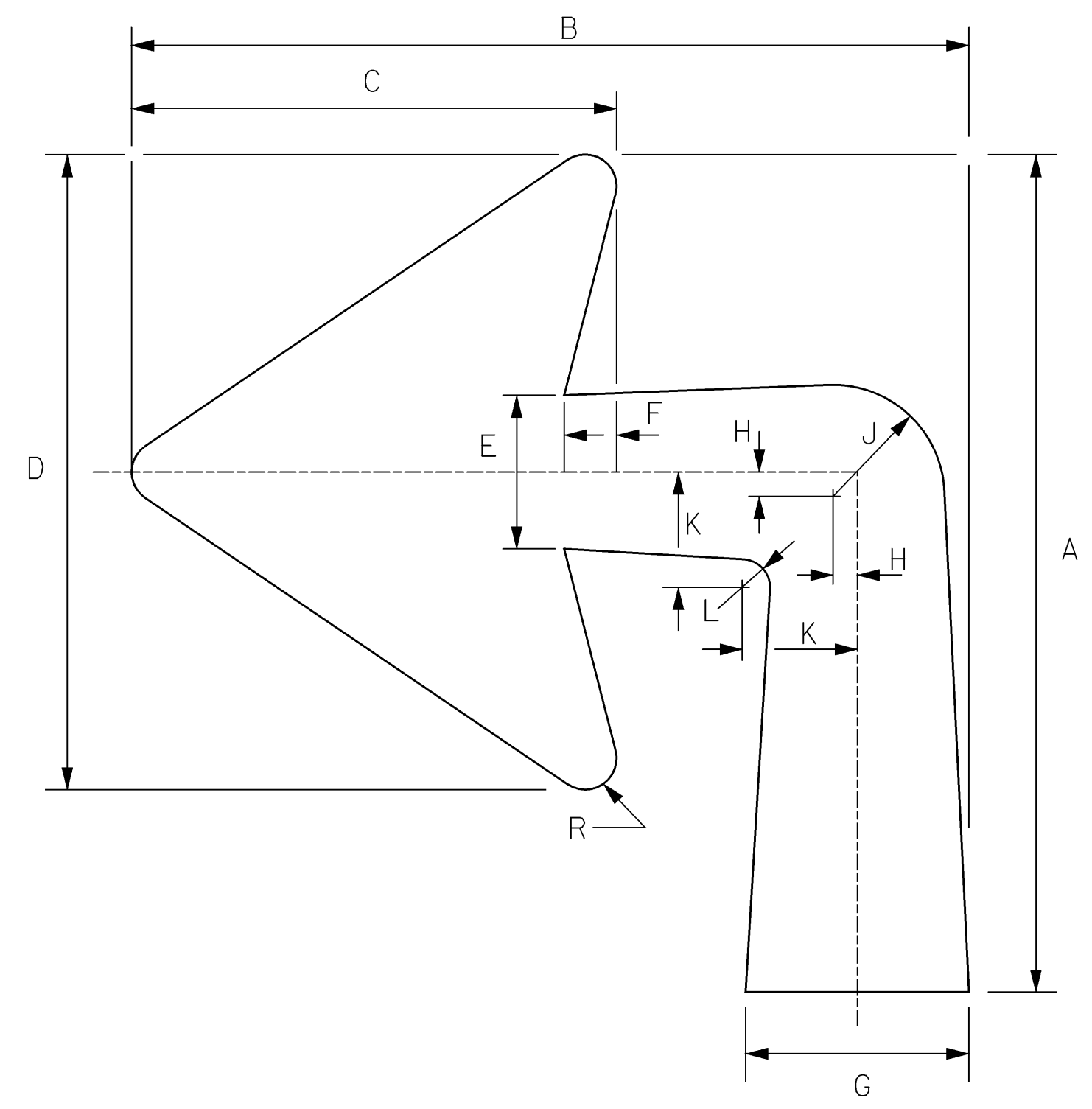


Type "B" Arrow



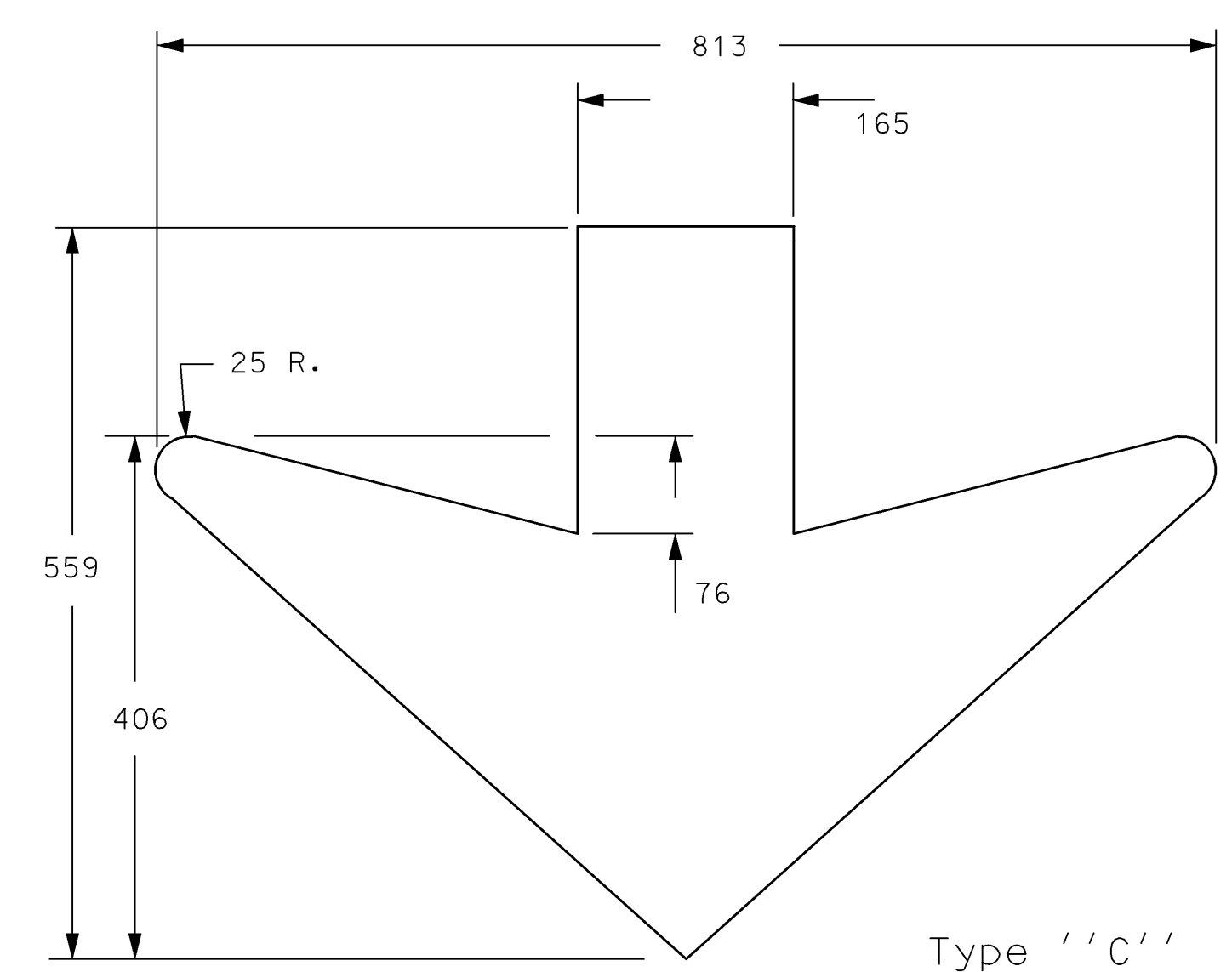
ARROW DIMENSIONS (mm)

	A	B	C	D	E	F	G	H	J	K	L	R
265 mm U.C.	384	273	221	289	70	24	102	11	51	52	13	14
340 mm U.C.	464	330	276	362	89	30	114	14	64	65	16	17
400 mm U.C.	565	397	330	432	105	37	133	16	76	79	19	22



ARROW DIMENSIONS (mm)

	A	B	C	D	E	F	G	H	J	K	L	R
265 mm U.C.	384	432	221	289	70	24	105	16	57	64	19	14
340 mm U.C.	464	521	276	362	89	30	130	16	70	73	25	17
400 mm U.C.	565	635	330	432	105	37	156	19	83	98	32	22



Type "C" Arrow

NOTE:
Use Type 'A' arrows on Interstate and Expressway with interchanges. Use Type 'B' arrows on the mainline of Expressways with at-grade intersections.

All dimensions are in millimeters.

3				
2				
1				
NO.	DATE	REVISIONS	BY	APP'D

KANSAS DEPARTMENT OF TRANSPORTATION
GUIDE SIGN
LEGEND DETAILS
ARROWS

TE560si 07-01-03

FHWA APPROVAL	07-22-2003	APP'D	Steven A. Buckley
DESIGNED	DDG	DETAILED	WSB
DESIGN CK.	SAB	DETAIL CK.	DDG
		QUANTITIES	TRACED
		QUAN. CK.	TRACE CK.

Plotted By : @USERNAM@
 Plot File : @DGN@
 Plot Date : @TIME@