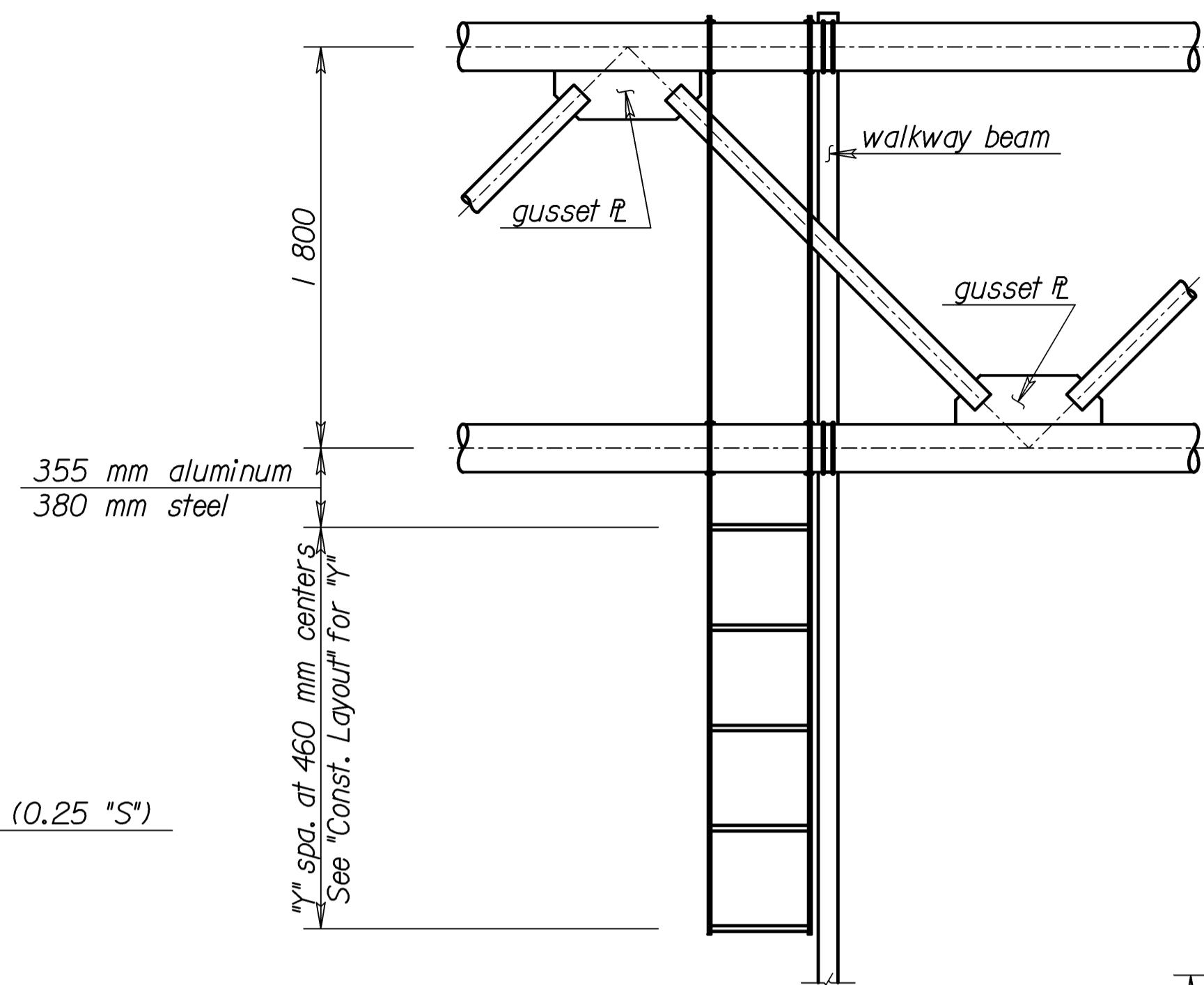
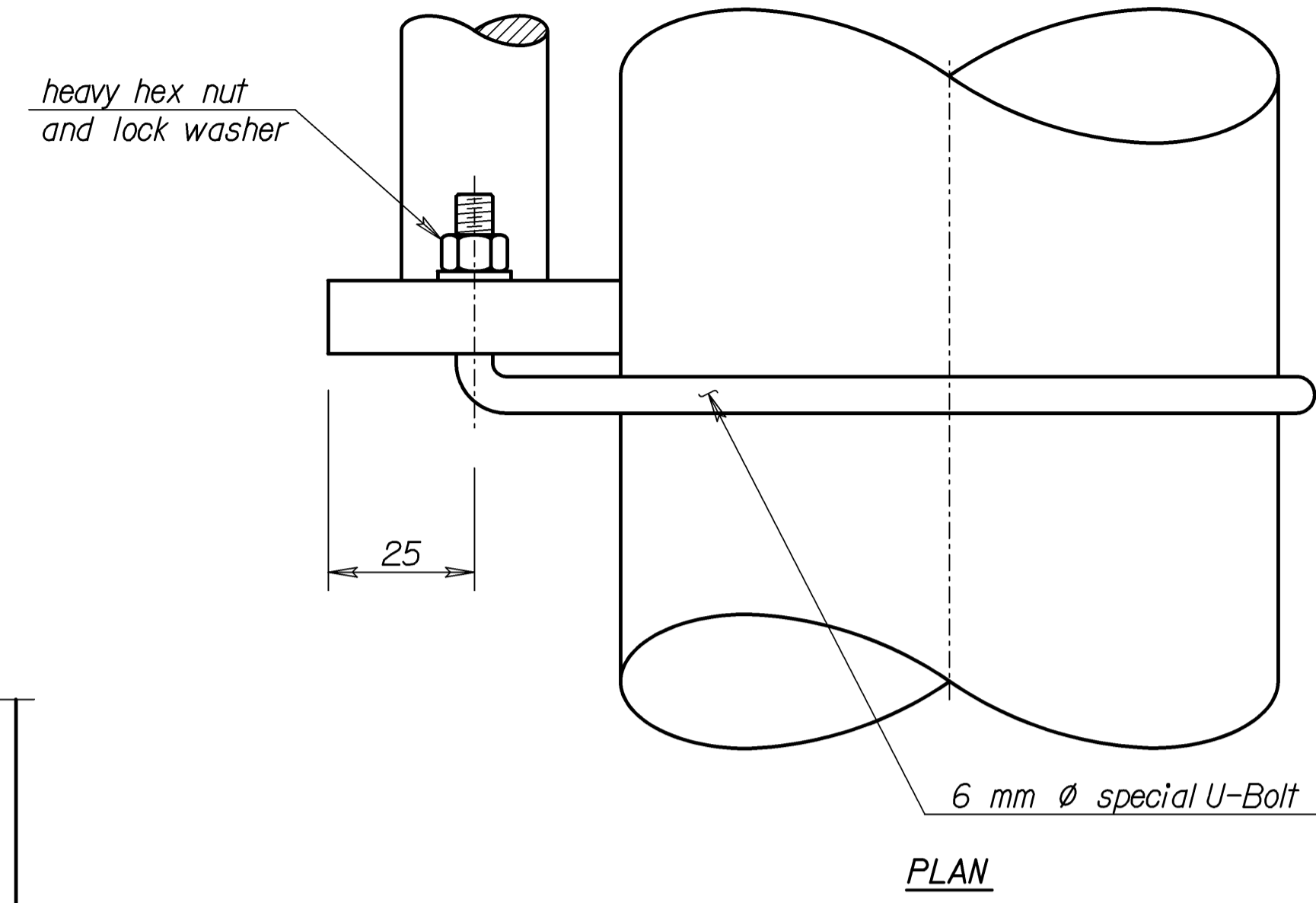


DIMENSION "X"			
Location	Horizontal Connection	Diagonal Connection	Special Ladder Connection
Aluminum	125	190	225
Steel	100	150	175

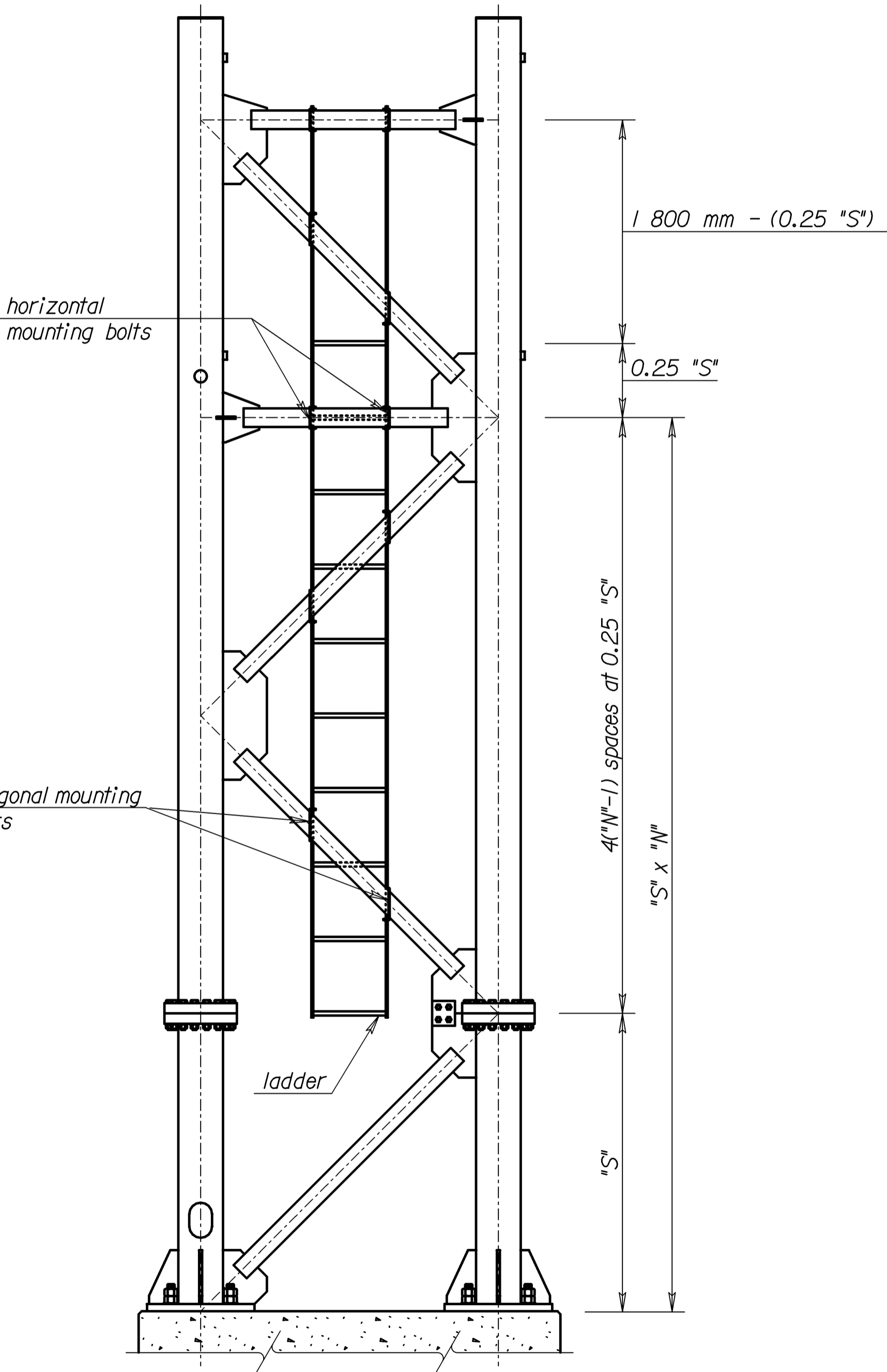


**SPECIAL LADDER CONNECTION**  
(only front truss members shown)

Note: Center the ladder approximately between the walkway beam and the adjacent gusset plate.

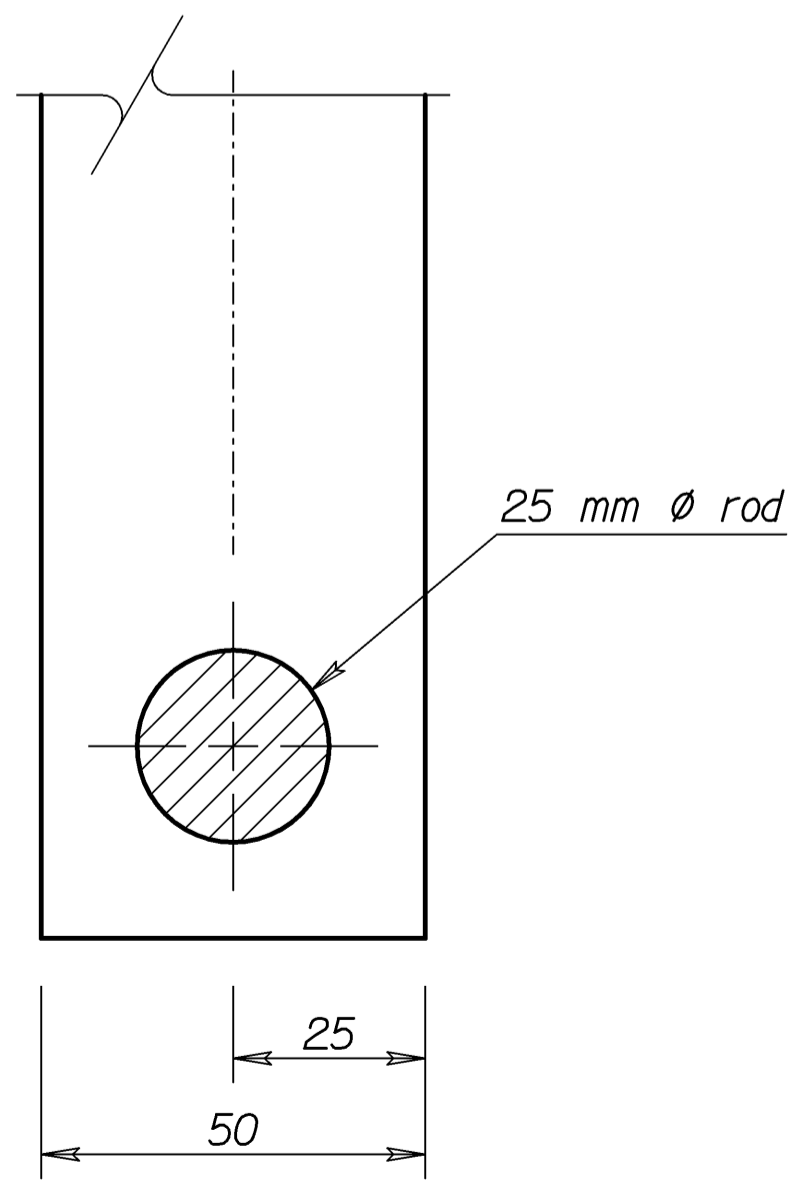


**PLAN**

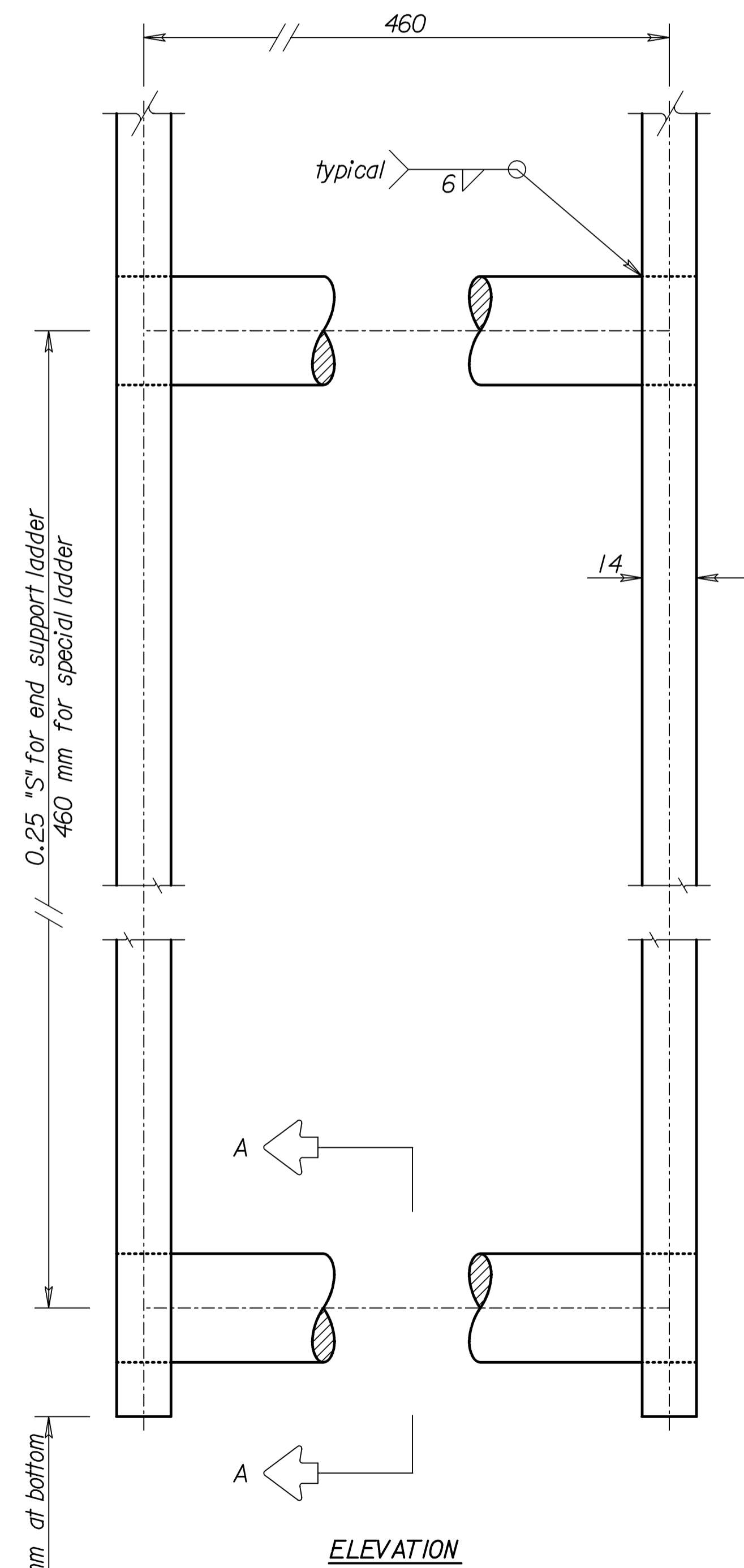


**ELEVATION**

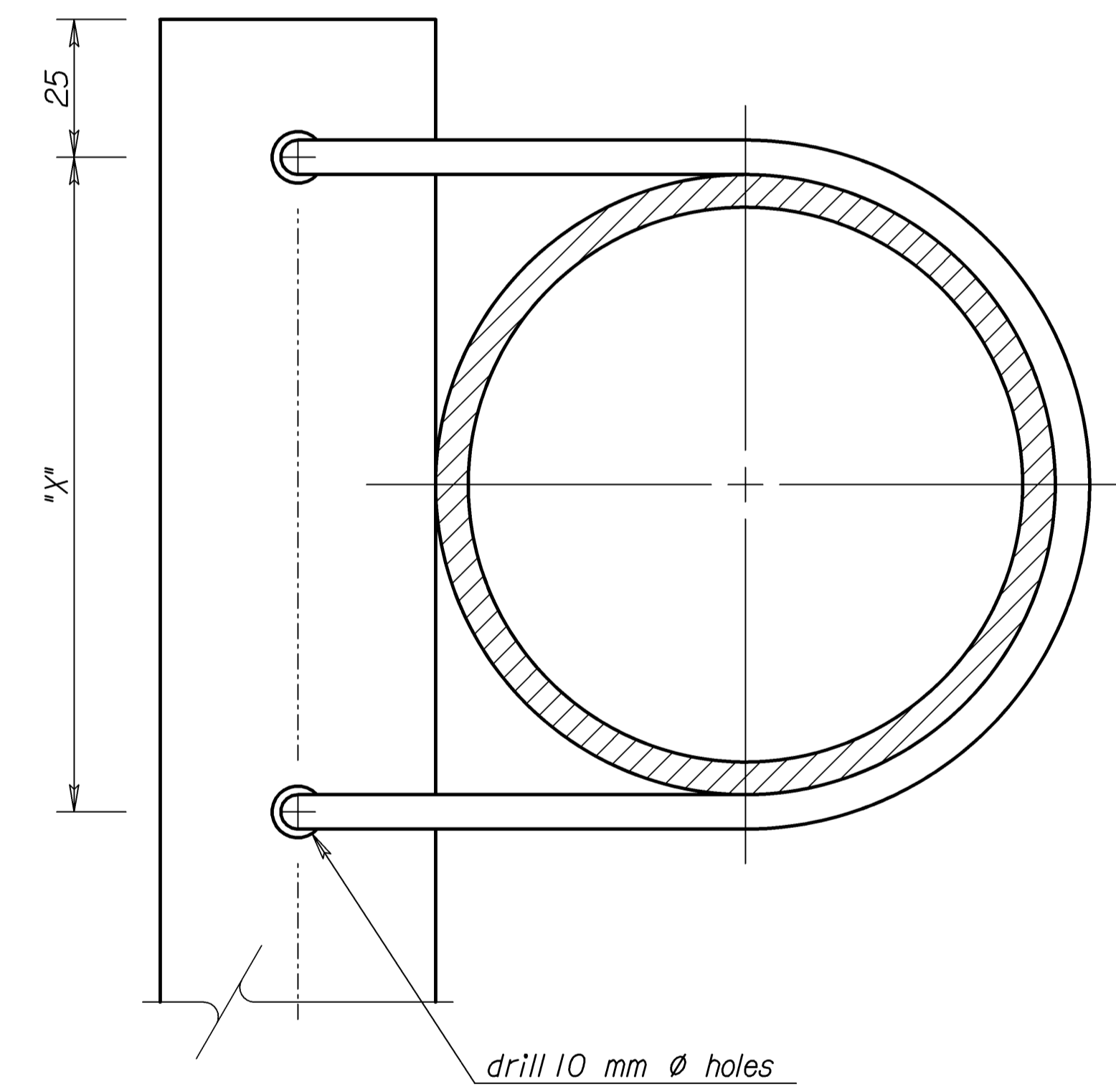
Note: Always mount ladder on outside of end support.  
See "Construction Layout" for end support(s) to be used and dimensions "S" and "N".



**SECTION A-A**



**LADDER DETAILS**



**SIDE ELEVATION**  
**MOUNTING DETAILS**  
(top shown, other connections similar)

Std. Base File: sl151asi.dgn - Plot 4  
Plotted By: \$\$\$\$  
File: \$\$\$\$  
Plot Date: \$\$\$\$

NO.	DATE	REVISIONS	BY	APP'D

**KANSAS DEPARTMENT OF TRANSPORTATION**  
**STANDARD STRUCTURAL SIGN SUPPORTS**  
**SPAN TYPE OVERHEAD**  
**LADDER DETAILS**

SL151A-04 SI

DESIGNED	4-10-97	APP'D	Kenneth F. Hurst
DESIGN CK.		DRE	
		QUAN.	
		CK.	