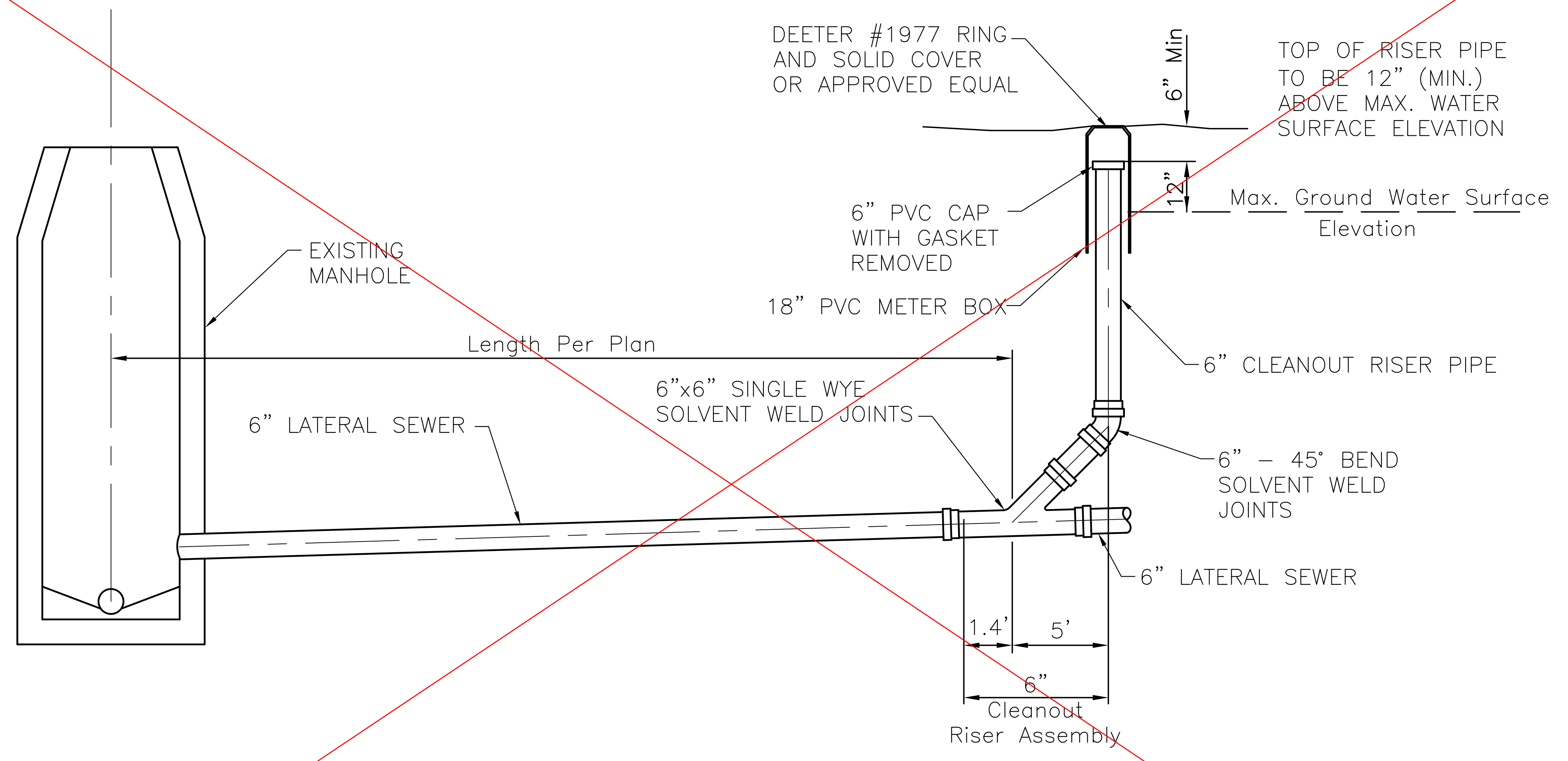


SEE REVISED SHEET



**6" CLEANOUT RISER
 ASSEMBLY DETAIL**
 N.T.S.

SANITARY SEWER LIFT STATION AND FORCE MAIN
BOTANICA - THE WICHITA GARDENS
 STREETS AND UTILITIES

**CLEANOUT
 DETAILS**
 SHEET TITLE
 468-84683
 PROJECT NUMBER

DESIGN BY *AJK*
 DRAWN BY *DMU*
 CHECKED BY *BLW*

ISSUED *July 2010*
 REVISED

SHEET NO.
3 of 29