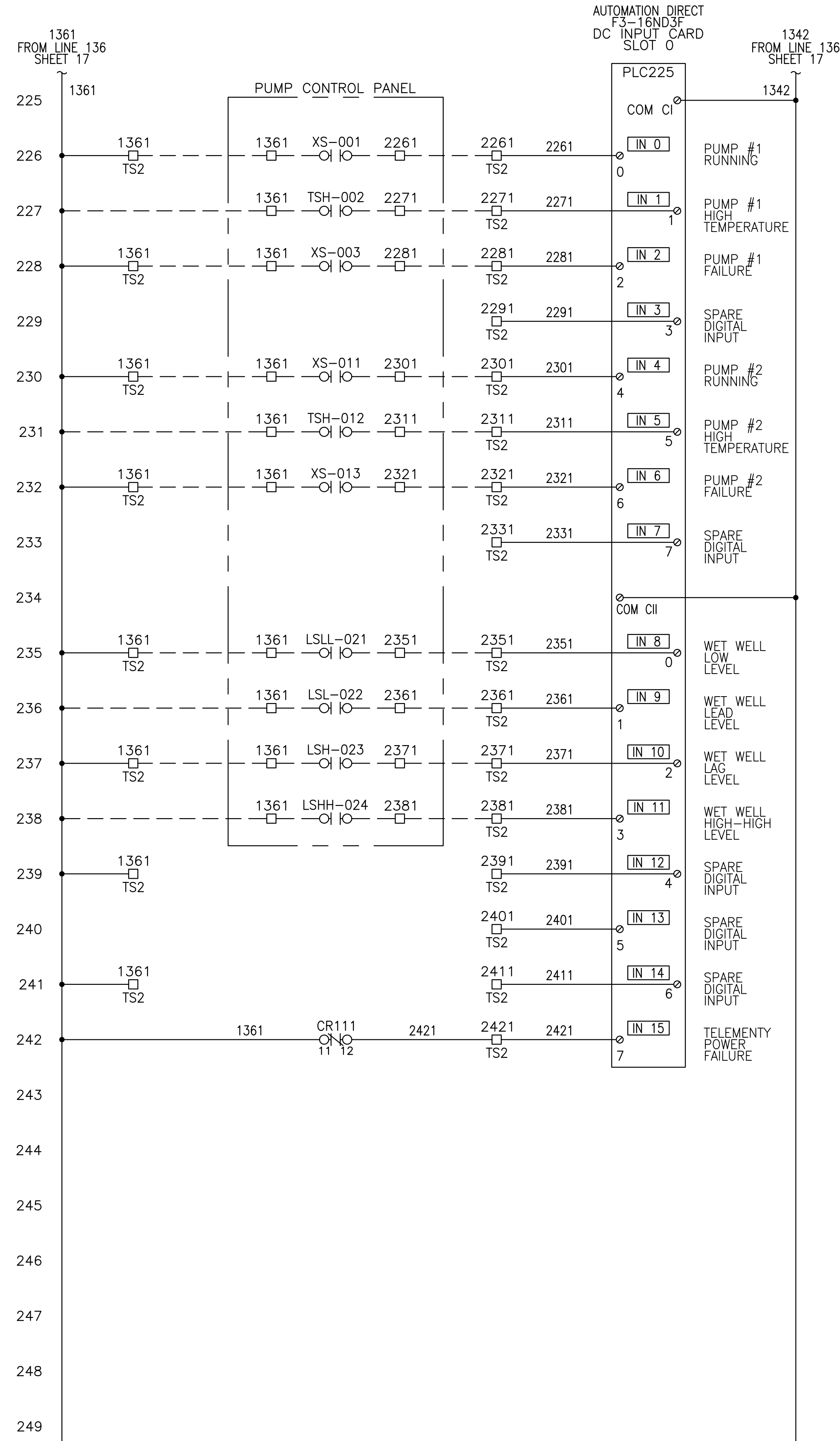
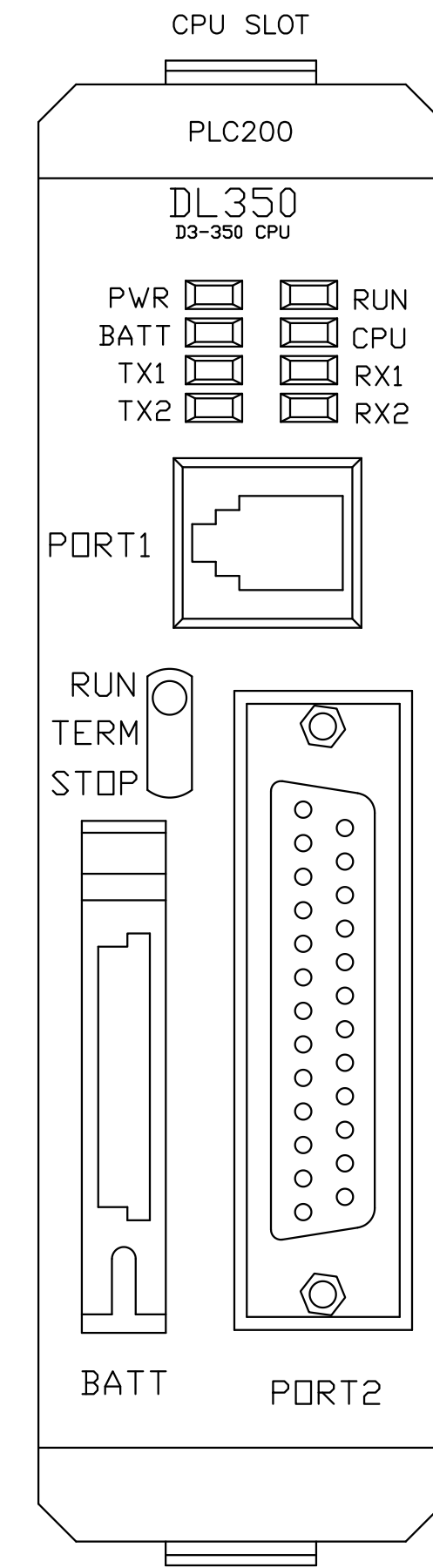


200
201
202
203
204
205
206
207
208
209
210
211
212
213
214
215
216
217
218
219
220
221
222
223
224



SYMBOL LEGEND:
 CONTROL PANEL TERMINAL
 — PANEL WIRING
 — FIELD WIRING

SANITARY SEWER LIFT STATION AND FORCE MAIN
BOTANICA - THE WICHITA GARDENS
 STREETS AND UTILITIES

**RTU PANEL
 PLC I/O
 SCHEMATICS**
 SHEET TITLE
 468-84683
 PROJECT NUMBER

JTW
 DESIGN BY
MRT
 DRAWN BY
GSS
 CHECKED BY

ISSUED
 July 2010
 REVISED

SHEET NO.
18 of 29