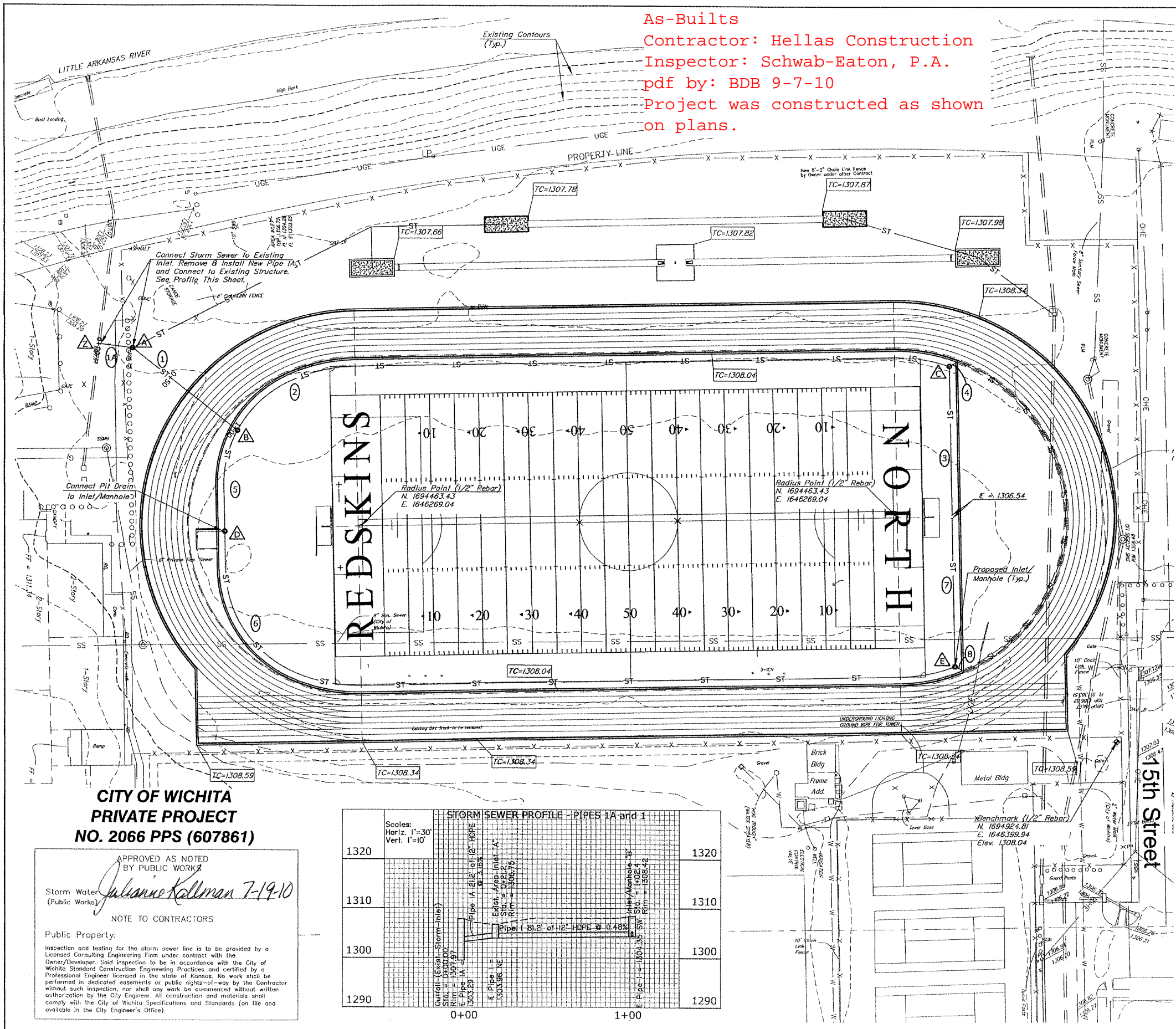


As-Builts  
 Contractor: Hellas Construction  
 Inspector: Schwab-Eaton, P.A.  
 pdf by: BDB 9-7-10  
 Project was constructed as shown  
 on plans.



SCALE 1" = 30'

TC=1347.00 Top of Curb or Concrete

### STORM SEWER STRUCTURE SCHEDULE

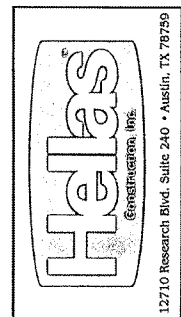
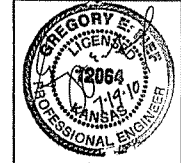
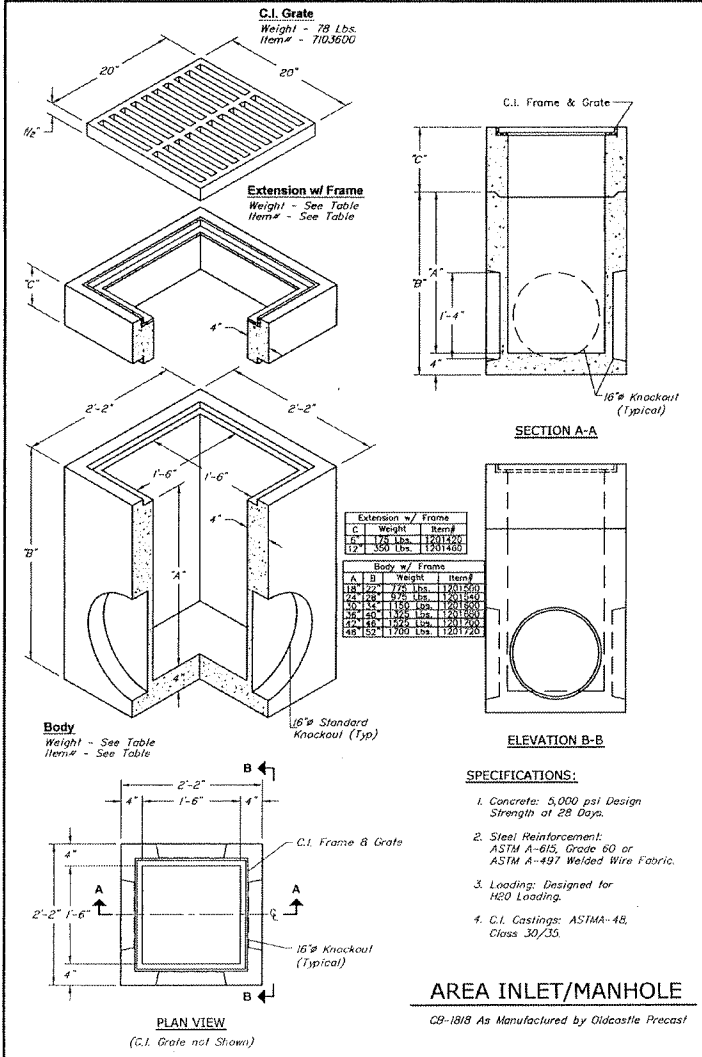
Structure	Northing	Eastng	Rim Elevation	E Out Elevation	Remarks
Z	1694.303.63	1646157.93	1307.97	1299.52	Outfall (Exist. Inlet)
A	1694.324.72	1646160.43	1306.75	1303.96	Existing Inlet
B	1694.388.40	1646210.85	1308.00	1304.35	Inlet/Manhole
C	1694.822.93	1646168.99	1308.00	1306.04	Inlet/Manhole
D	1694.380.67	1646272.56	1308.00	1304.54	Inlet/Manhole
E	1694.826.55	1646353.86	1308.00	1306.04	Inlet/Manhole

### STORM SEWER PIPE SCHEDULE

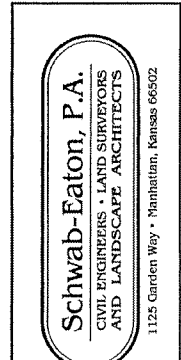
Pipe	Dia. (in.)	Length (ft.)	Slope (%)	E Down	E Up
1A	12	21.2	3.16	1303.29	1303.96
1	12	81.2	0.48	1303.96	1304.35
2	10	449.4	0.38	1304.35	1306.04
3	8	100.0	0.50	1306.04	1306.54
4	6	5.7	8.77	1306.04	1306.54
5	10	6.31	0.30	1304.35	1304.54
6	10	508.7	0.29	1304.54	1306.04
7	8	100.0	0.50	1306.04	1306.54
8	6	5.7	8.77	1306.04	1306.54

**Notes:**

- Track exterior shall be graded for positive drain flow with the exterior curb grade continued 5 feet beyond the track and then smoothly transition to the existing elevations with slopes no greater than 4:1.
- The topographic survey for this project was provided by others.
- Pipe material for proposed storm sewers shall be HDPE.
- Unless noted otherwise, materials and construction shall be in accordance with the City of Wichita Standard Specifications. The work is subject to the City of Wichita requirements for "Construction of Infrastructure Improvements by Private Contract". The Contractor shall be familiar with and comply with all the requirements including bonding, testing, notification, as-built drawings, the payment of connection and/or street repair fees, and providing pipe material and other certifications as required.



Drainage Plan  
 Track & Field Renovation  
 North High School  
 USD 259 - Wichita, KS



Date: JULY 2010  
 Project No.: 10.059  
 Drawn By: GEF  
 Checked By: GEF  
 Revision:  
 Sheet No.: 1  
 of: 1

Q:\AUSCCAS\POWERCAT\10059A USD 259 Wichita North High School\Wichita North Storm Submittal.DWG, 7/19/2010 8:54:38 AM, \\wvserver\wp\11100\_HPG12.111

**CITY OF WICHITA**  
**PRIVATE PROJECT**  
**NO. 2066 PPS (607861)**

APPROVED AS NOTED  
 BY PUBLIC WORKS  
*Julian Kollman 7-19-10*

Storm Water  
 (Public Works)

NOTE TO CONTRACTORS  
 Public Property:

Inspection and testing for the storm sewer line is to be provided by a Licensed Consulting Engineering Firm under contract with the Owner/Developer. Said inspection is to be in accordance with the City of Wichita Standard Construction Engineering Practices and certified by a Professional Engineer licensed in the state of Kansas. No work shall be performed in dedicated easements or public rights-of-way by the Contractor without such inspection, nor shall any work be commenced without written authorization by the City Engineer. All construction and materials shall comply with the City of Wichita Specifications and Standards (on file and available in the City Engineer's Office).

STORM SEWER PROFILE - PIPES 1A and 1

Station	Structure	Elevation
1320	Outfall (Exist. Storm Inlet)	1320
1310	Structure A	1310
1300	Structure B	1300
1290	Structure C	1290

Scales:  
 Horiz. 1"=30'  
 Vert. 1"=10'

Pipe 1A: 12" HDPE, Slope = 0.48%  
 Pipe 1: 10" HDPE, Slope = 0.38%