

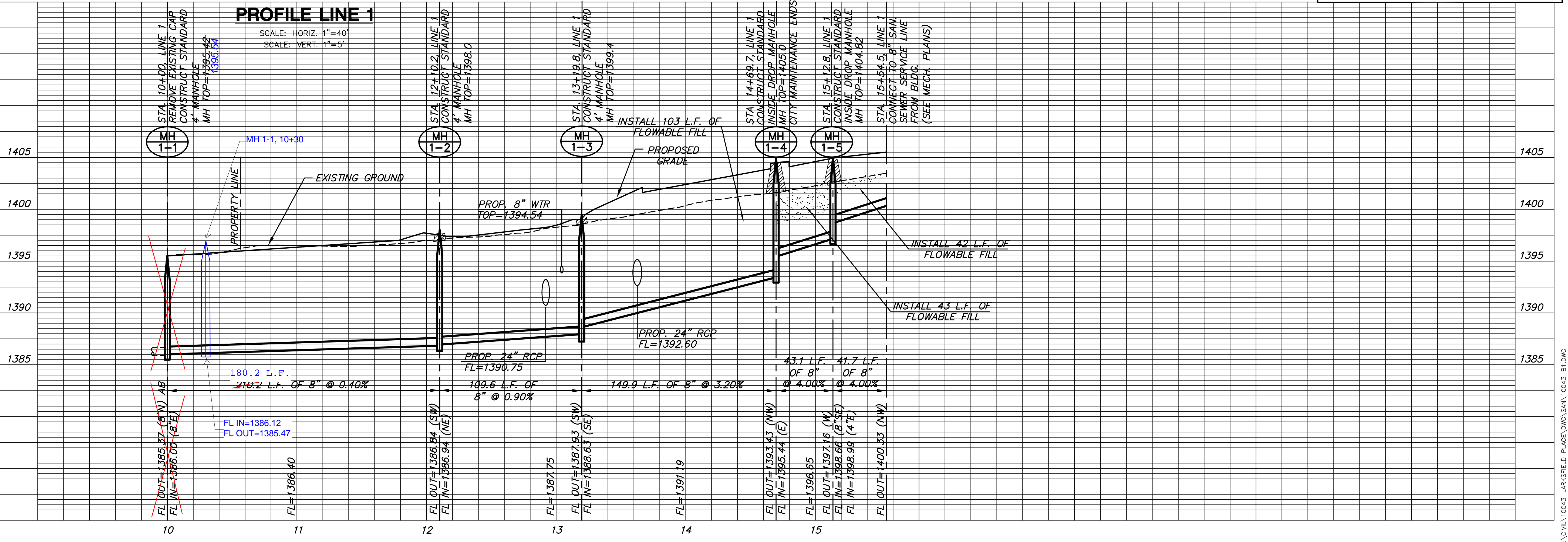
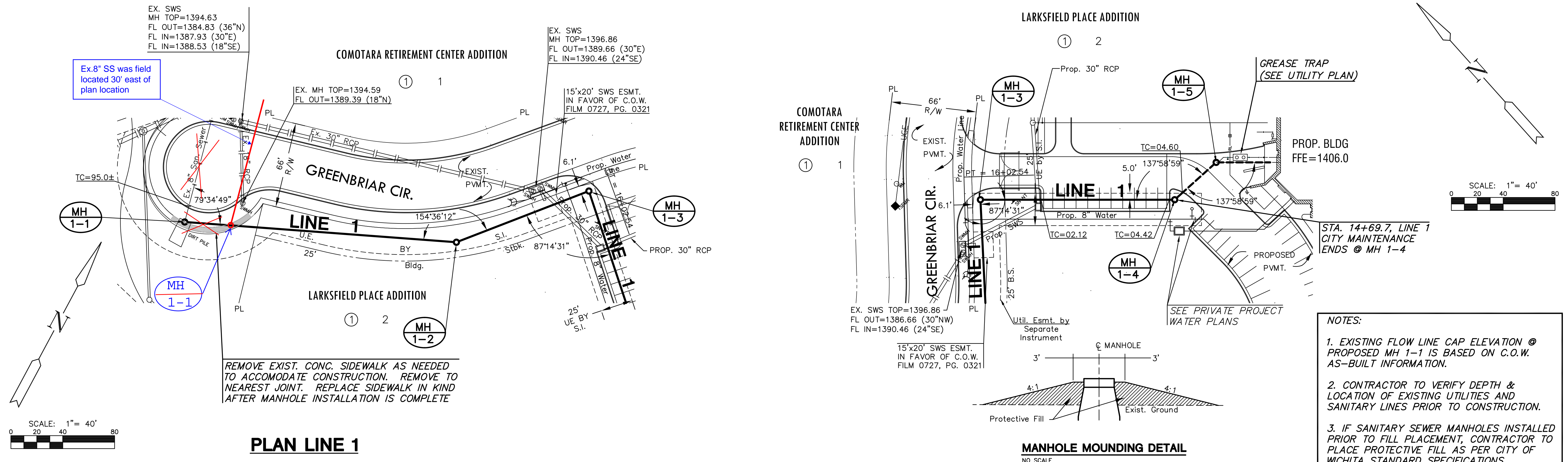
PRIVATE SANITARY SEWER PLANS FOR
LARKSFIELD EAST
LARKSFIELD PLACE ADDITION, WICHITA, KS

PLAN & PROFILE
LINE 1
SHEET TITLE
10043
PROJECT NUMBER

DESIGN BY: DACR
DRAWN BY: DACR
CHECKED BY: MAB

ISSUED: July 2010
REVISED:

SHEET NO.
2 of 3



J:\CIVIL\10043_LARKSFIELD_PLACE\DWG\SAN\10043_B1.DWG
PLOTTED: Friday, August 06, 2010 @ 10:28AM