

The existing East Side Rail shall be removed and adjusted to be a minimum height of 4'-6" above the Sidewalk edge.

The intent is to reuse the upper and lower portions of the rail, add pipes, tube length, picket length and plate bar to accommodate this work.

The Contractor has the option of not extending the existing rail and providing a new replacement plus use the existing attachment hardware.

The existing rail not salvaged shall become property of the Contractor.

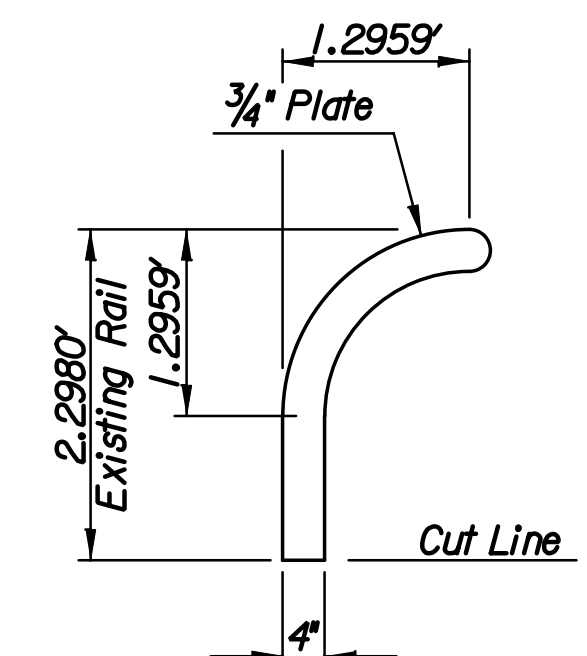


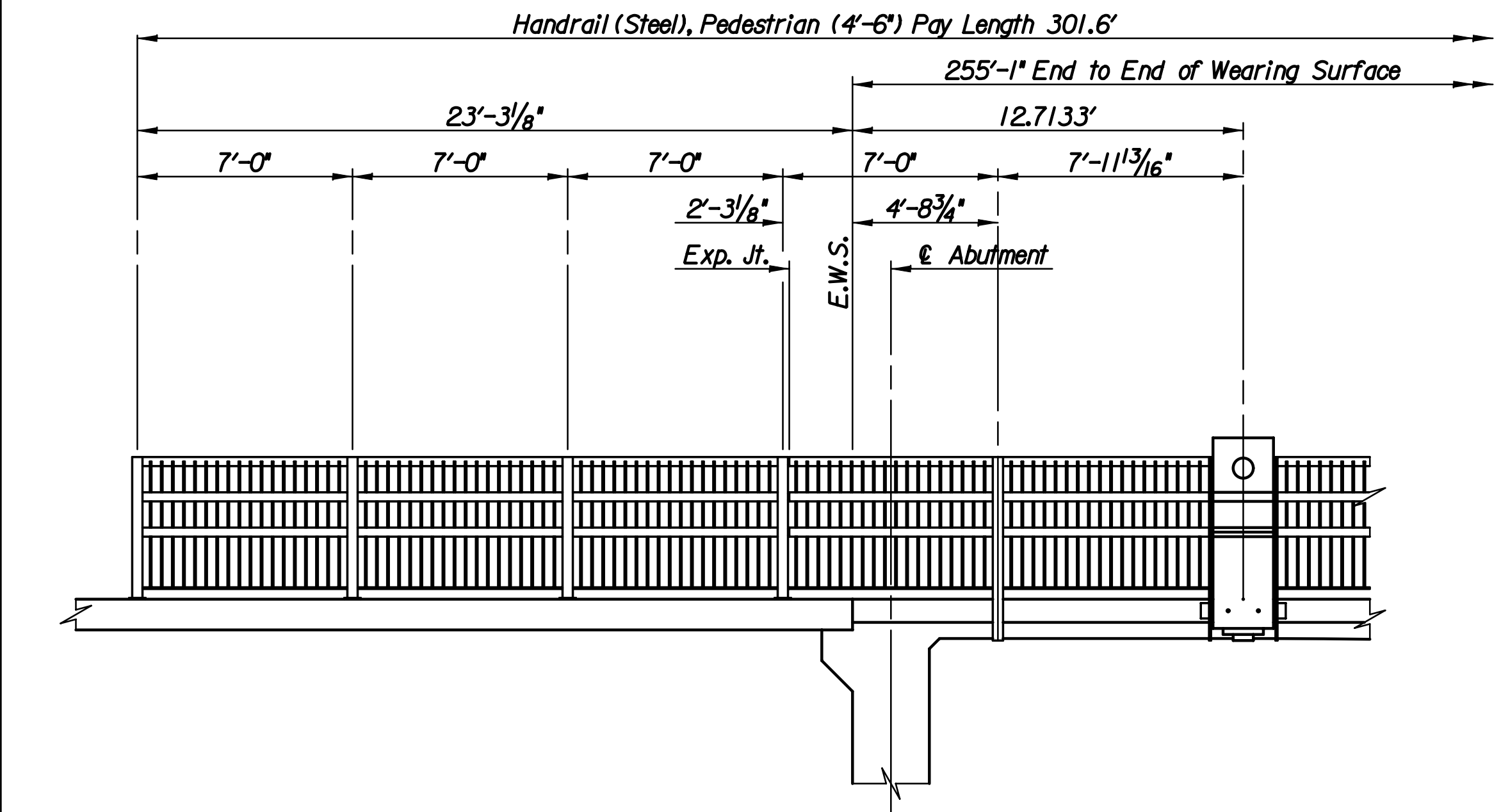
PLATE END POST

NOTES
The plate and bar rail members shall conform to ASTM A36. The tubular rail members shall conform to ASTM A500 Gr. B.

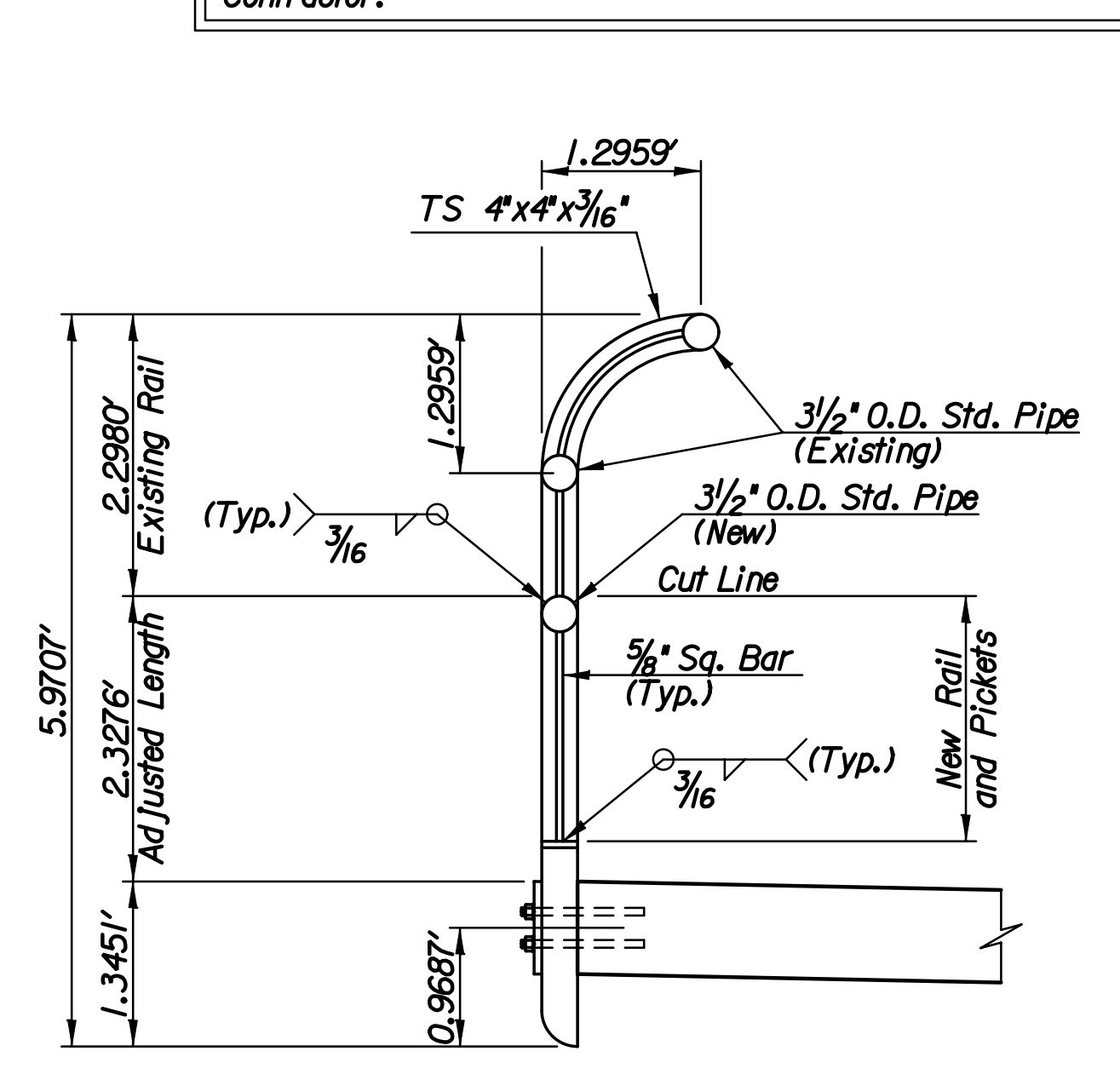
The rail shall be fabricated in lengths to include a minimum of two and a maximum of three panels. Shims may be used between concrete and base plates of posts. All parts of the steel pedestrian handrail shall be galvanized and painted after fabrication. Galvanizing shall be to the requirements of the latest edition of ASTM A123. The finish coat of paint shall be Tnemec vinyl coat, the color shall be BLACK and applied per the manufacturer's recommendation. Surface preparation shall be in accordance with that for structural steel per KDOT Standard Specifications.

The Rail shall be attached to the Sidewalk with 3/4" x 6" Hilti Kwik Bolt 3 Hot Dip Galvanized Expansion Anchors or equal as approved by the Engineer.

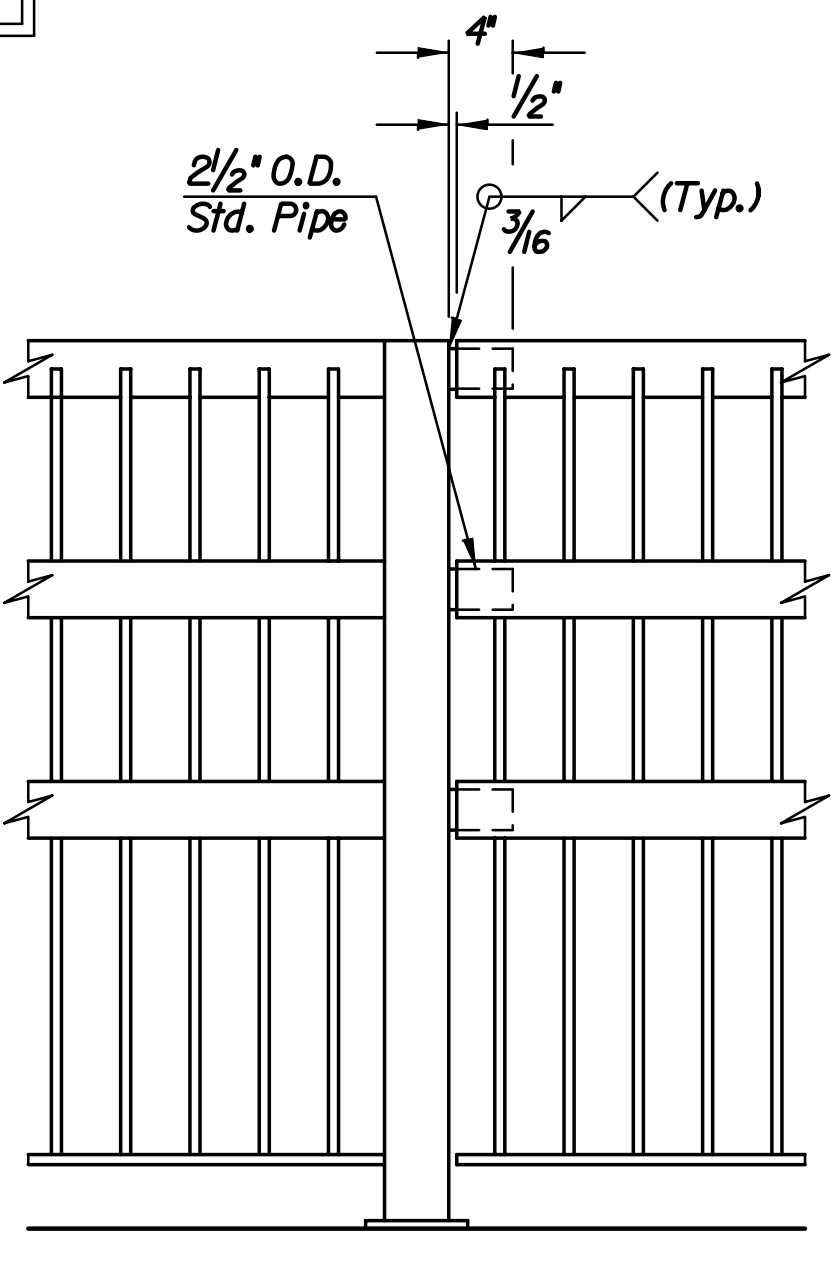
All material, equipment and labor necessary for the installation of the bridge handrail shall be subsidiary to the bid item.



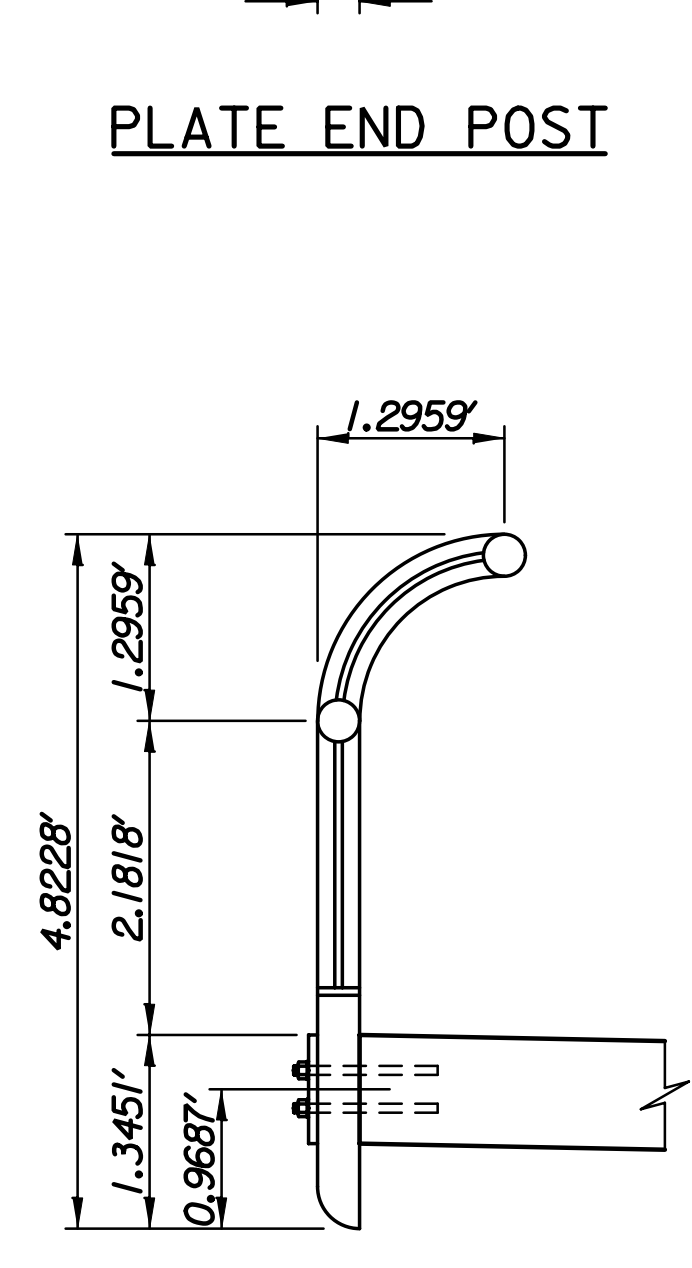
END PANEL ELEVATION
Note:
East side shown. West side requires Bolts Only.



SECTION THRU RAIL



RAIL SPLICE DETAIL



EXISTING RAIL

The Pedestrian Rail Detailed on this sheet was constructed using SI Units. All dimensions, spacings and material sizes shown are nominal and shall be verified and matched to the rail that exists in the field.

No.	Revisions	By	Date
119TH STREET			
PEDESTRIAN RAIL DETAILS			
JAMES L. ARMOUR, P.E.-CITY ENGINEER CITY OF WICHITA PROJECT NO. 472-84850			
 Professional Engineering Consultants, P.A. 303 S. TOPKA • WICHITA, KANSAS 67202 316-262-2691 • FAX 316-262-3003			
Designed by	R.A.S.	Checked by	R.A.S.
Drawn by	W.L.L.	Date	August 2010
		Job No.	05789

Drawing Name: i:/2005/05789/details/119th PedRail.dgn
Plotted By: wll 7-19-2010