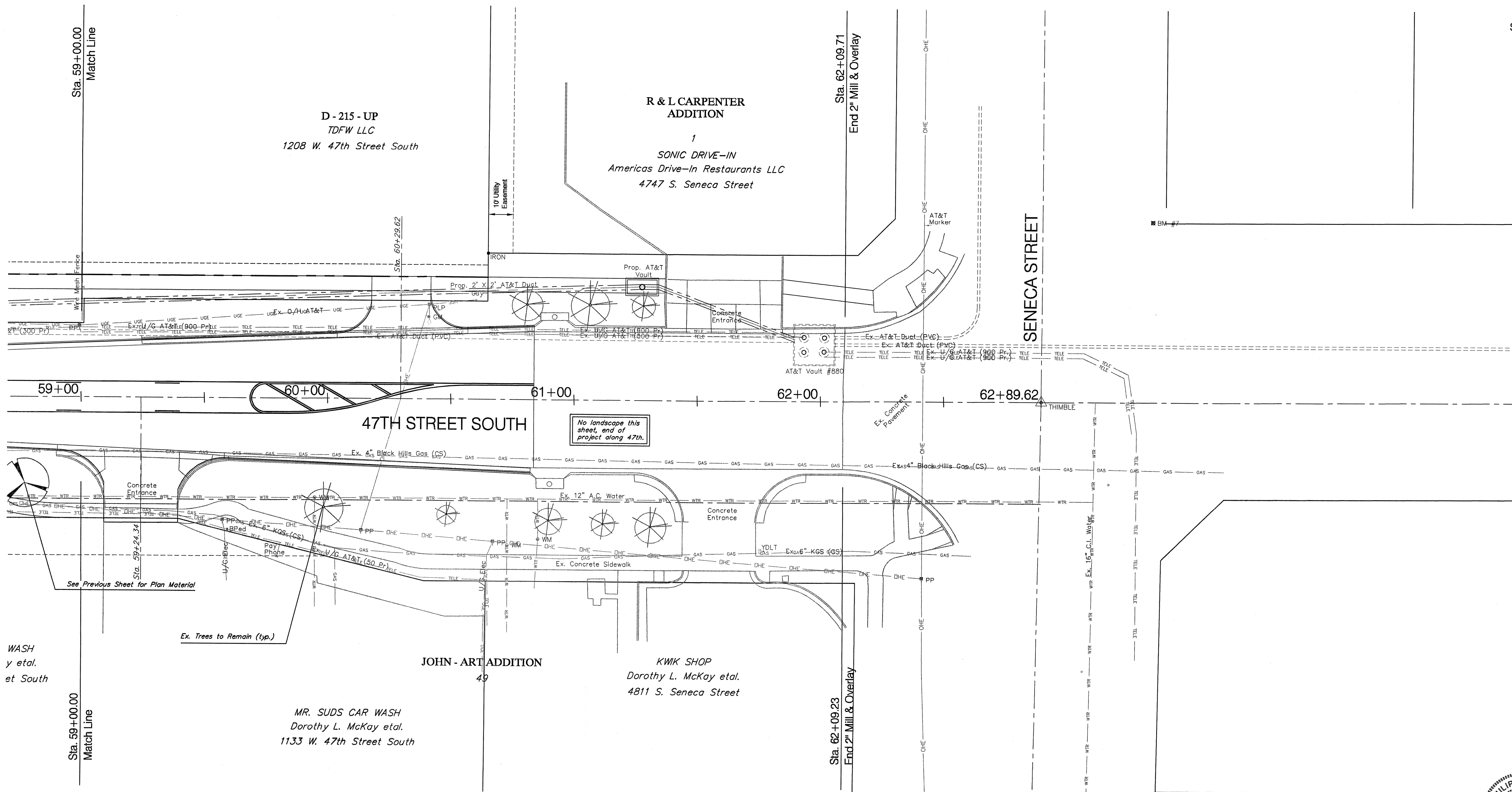
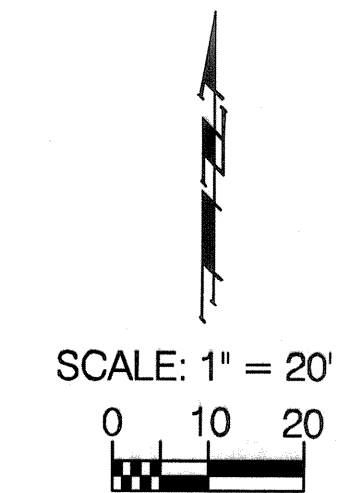


BENCHMARK:
 BM #7 - City of Wichita Disc Located in the Northeast Corner
 of the Intersection of Seneca and 47th Street South
 Sta. 63+35, 74' Lt.
 Elev. = 1274.74 (MSL)

FHWA REGION NO.	STATE	PROJECT NO.	FISCAL YEAR	SHEET NO.	TOTAL SHEETS
7	KANSAS	87 N-0394-01	2010	107	129



WASH
y et al.
et South

Sta. 59+00.00
Match Line

MR. SUDS CAR WASH
Dorothy L. McKay et al.
1133 W. 47th Street South

JOHN - ART ADDITION

KWK SHOP
Dorothy L. McKay et al.
4811 S. Seneca Street

Sta. 62+09.23
End 2" Mill & Overlay

SENECA STREET

