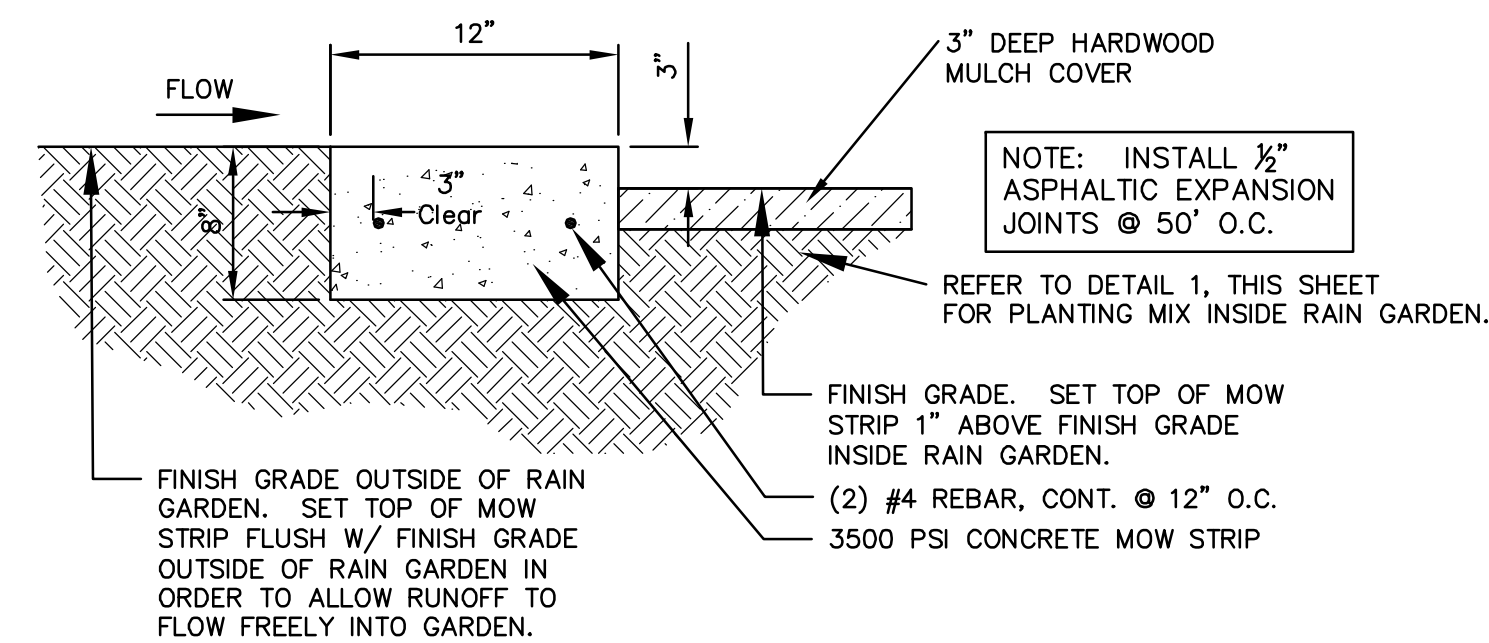


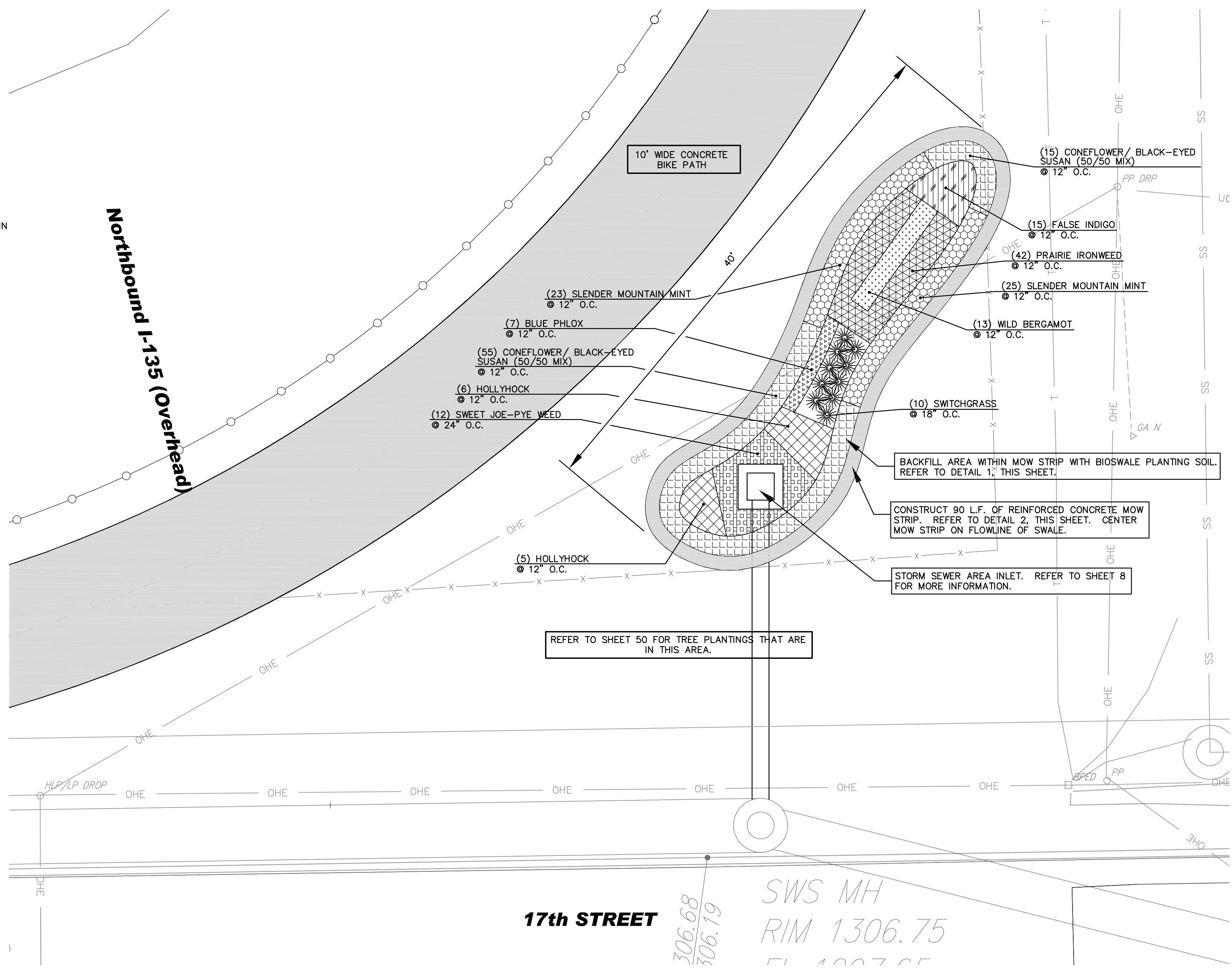
BIOFILTRATION NOTES

- CONTRACTOR SHALL EXERCISE CAUTION WHEN EXCAVATING AROUND EXISTING TREES TO REMAIN. WHEN ENCOUNTERING ROOTS LARGER THAN ONE INCH, ROOTS SHALL BE HAND PRUNED TO AVOID DAMAGE TO THE TREE. AVOID DRIVING MACHINERY OR STORING MATERIALS WITHIN THE DRIPLINE OF TREES.
- PLANTING MIX SHALL CONSIST OF THE FOLLOWING MIX:
 50% CONSTRUCTION SAND
 30% TOPSOIL WITH LESS THAN 5% CLAY CONTENT
 20% COMPOSTED MATERIAL
 -COMPOST SHALL BE COMPOSTED PRODUCT AVAILABLE FROM:
 EVERGREEN RECYCLE, LLC (formerly Wood Recyclers)
 302 W. 53rd STREET NORTH
 WICHITA, KANSAS 67204
 PHONE 316-832-0400
 HERZOG ENVIRONMENTAL (Brooks Landfill Operator)
 PHONE 316-722-0601
 -OR APPROVED EQUAL (CONTRACTOR SHALL PROVIDE INFORMATION ON THE OF COMPOSTED MATERIAL FROM PROVIDER)
- PLANTING MIX SHALL BE PLACED IN 6-12" LIFTS, LIGHTLY COMPACTED BY TAMPING WITH THE BUCKET OF A BULLDOZER OR BACKHOE.
- PLANTING MIX SHALL BE MIXED THOROUGHLY BEFORE PLACEMENT ON-SITE.
- PLANTING MIX SHOULD HAVE A pH OF 5.5- 6.5, AS TESTED BY A LOCAL TESTING LABORATORY. PROVIDE TEST RESULTS TO PROJECT LANDSCAPE ARCHITECT. SHOULD THE SOIL BE OUTSIDE OF THAT RANGE, APPROPRIATE AMENDMENTS SHOULD BE ADDED TO REACH THAT RANGE.
- AFTER PLACEMENT OF SOIL, AVOID DRIVING HEAVY MACHINERY ACROSS BIODETENTION AREAS IN ORDER TO AVOID COMPACTION OF PLANTING MIX.

1 BIOFILTRATION SWALE SECTION
NOT TO SCALE



2 REINFORCED CONCRETE MOW STRIP
SCALE 1"= 1'-0" ADJACENT TO BIOFILTRATION BEDS



17th STREET PAUSE POINT- BIOFILTRATION SWALE LS-1 PLANTING PLAN
Scale 1"= 5'-0"

PLANT SCHEDULE

Qty.	Scientific Name	Common Name	Size	Condition	Spacing	Flower Color	Remarks
11	<i>Alcea rosea</i>	Hollyhock	4" Pot	Cont.	18" O.C.	Red	Full & Healthy
15	<i>Baptisia australis</i>	False Indigo	4" Pot	Cont.	12" O.C.	Blue/Purple	Full & Healthy
35	<i>Echinacea angustifolia</i>	Coneflower	4" Pot	Cont.	18" O.C.	Magenta	50% Mix w/ Rudbeckia
12	<i>Eupatorium purpureum</i>	Sweet Joe-Pye Weed	4" Pot	Cont.	24" O.C.	Purple/ Blue	Full & Healthy
13	<i>Monarda fistulosa</i>	Wild Bergamot	4" Pot	Cont.	12" O.C.	Pink	Full & Healthy
10	<i>Panicum virgatum</i>	Switchgrass	2 or 3 Gal.	Cont.	18" O.C.	-	Full & Healthy
7	<i>Phlox divaricata</i>	Blue Phlox	4" Pot	Cont.	12" O.C.	Purple	Full & Healthy
48	<i>Pycnanthemum tenuifolium</i>	Slender Mountain Mint	4" Pot	Cont.	12" O.C.	White	Full & Healthy
35	<i>Rudbeckia hirta</i>	Black Eyed Susan	4" Pot	Cont.	12" O.C.	Gold	50% Mix w/ Echinacea
42	<i>Veronia fasciculata</i>	Prairie Ironwood	4" Pot	Cont.	12" O.C.	Purple	Full & Healthy

**I-135 to K-96 BIKE PATH
BIOFILTRATION SWALE LS-1 PLANTINGS
WICHITA, KANSAS**

Ruggles & Bohm, F.A.
Engineering, Surveying, Land Planning

924 North Main
Wichita, Kansas 67203
www.rbkansas.com

(316) 264-8008
(316) 264-4621 fax
E-mail: info@rbkansas.com

DESIGN BDT
DRAWN BDT
REVIEW
UTILITY
DATE ..

PROJECT NUMBER ..

DRAWING FILE Landscape Base [LSCAPE 15]

61 OF 72