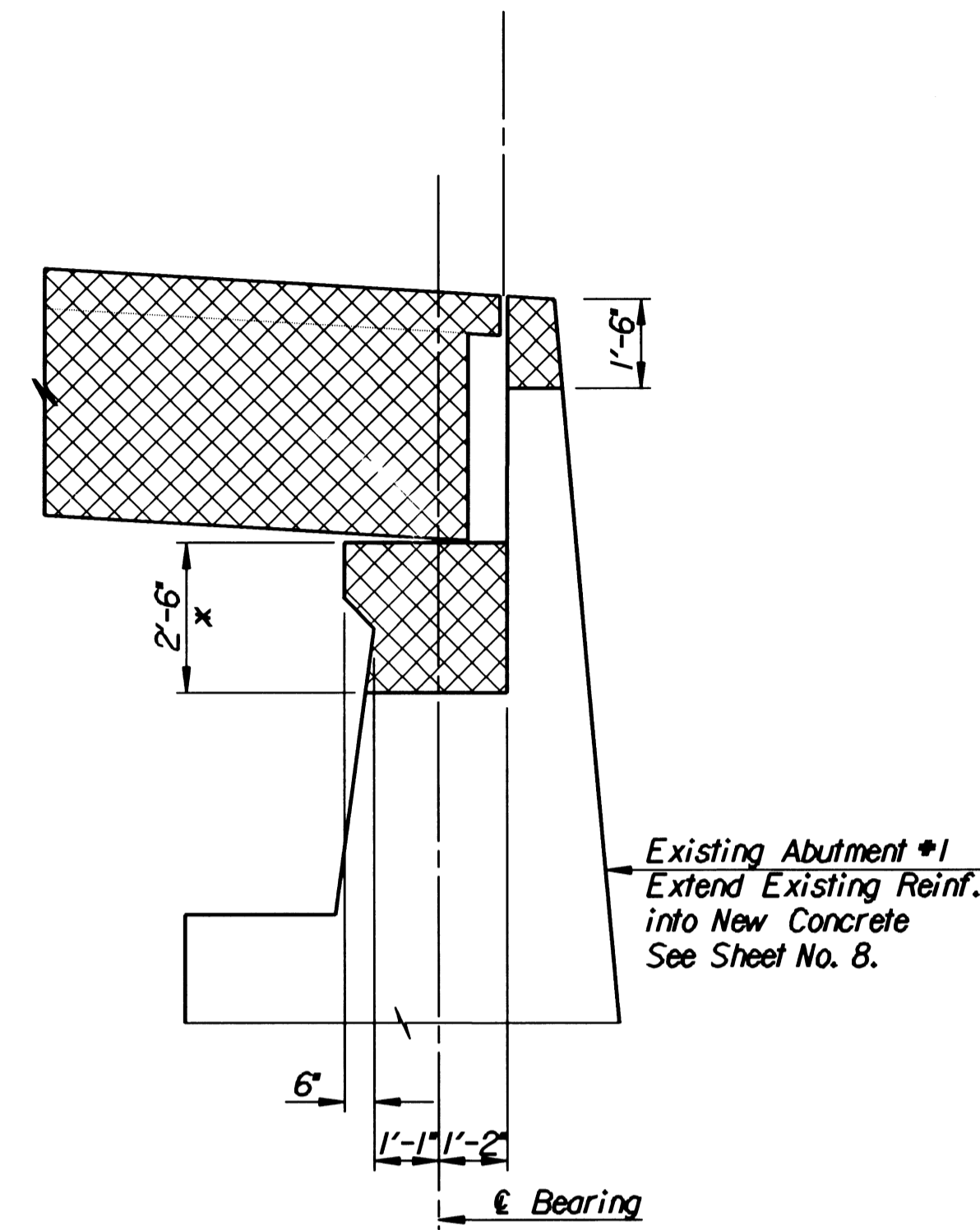
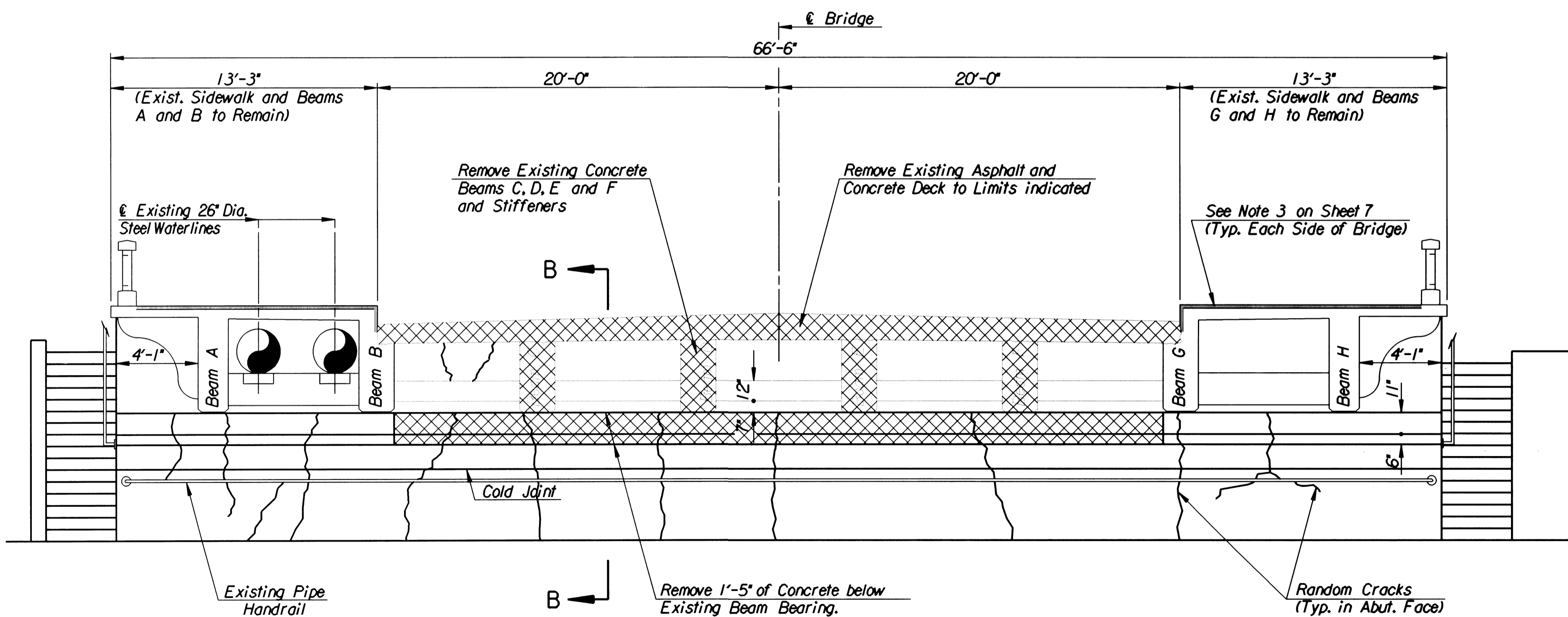


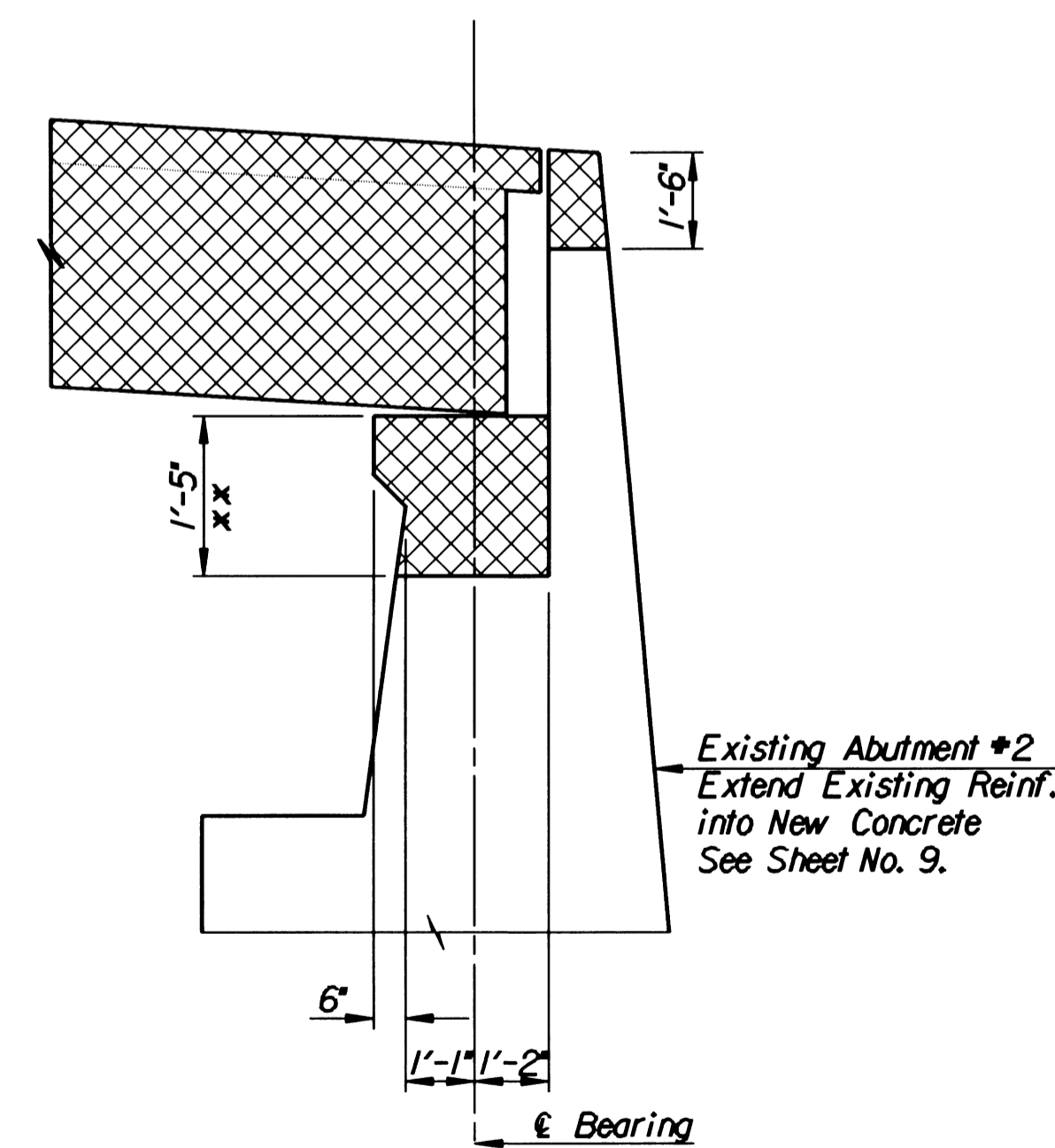
ELEVATION ABUTMENT NO. 1
(Looking West)



SECTION A-A
* Remove and Replace 2'-6" of Existing Concrete above Cold Joint.



ABUTMENT NO. 2 ELEVATION
(Looking East)



SECTION B-B
** Remove and Replace 1'-5" of Existing Concrete above Cold Joint.

- Legend**
- Concrete Area to be Reconstructed or Removed
 - Cracks to be Pressure Grouted See Sheet No. 22.

No.	Revisions	By	Date

CITY OF WICHITA, KANSAS
MICHAEL E. LINDEBAK, P.E.-CITY ENGINEER
MURDOCK BRIDGE
OVER LITTLE ARKANSAS RIVER
ABUTMENT REMOVAL DETAILS
CITY OF WICHITA PROJECT NO. 472-82785
PROFESSIONAL ENGINEERING CONSULTANTS, P.A.
ENGINEERS
WICHITA, KANSAS

Designed by	R.W.A.	Checked by	R.A.S.
Drawn by	W.L.L.	Date	Oct, 1998 Job No. 96940