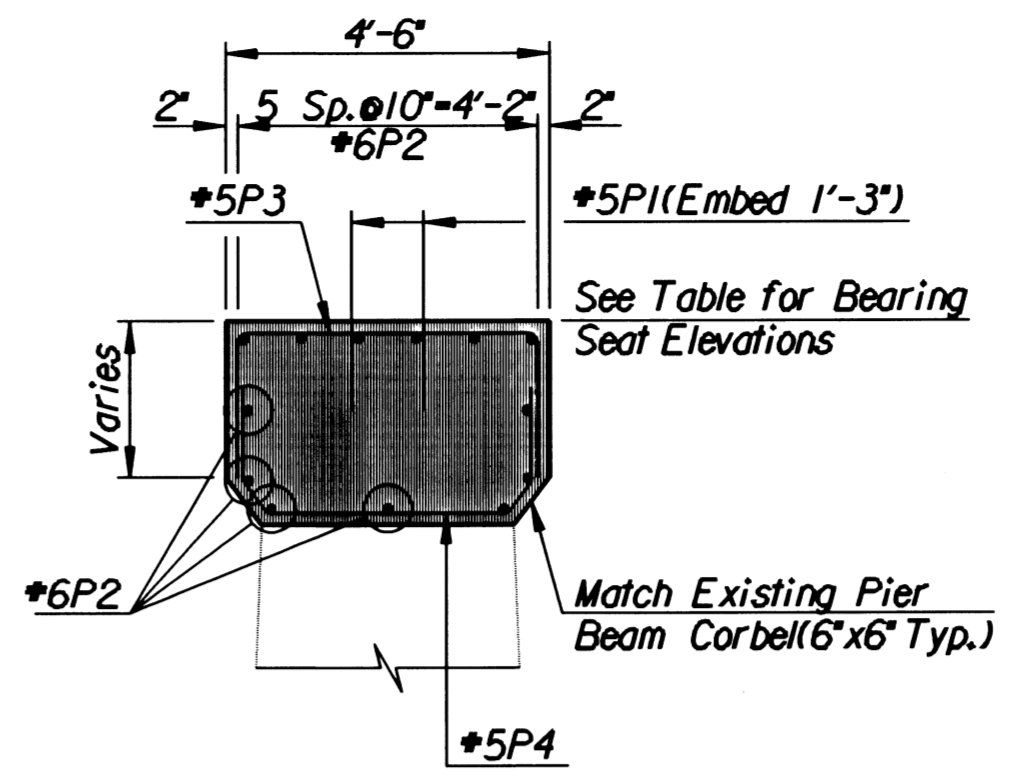


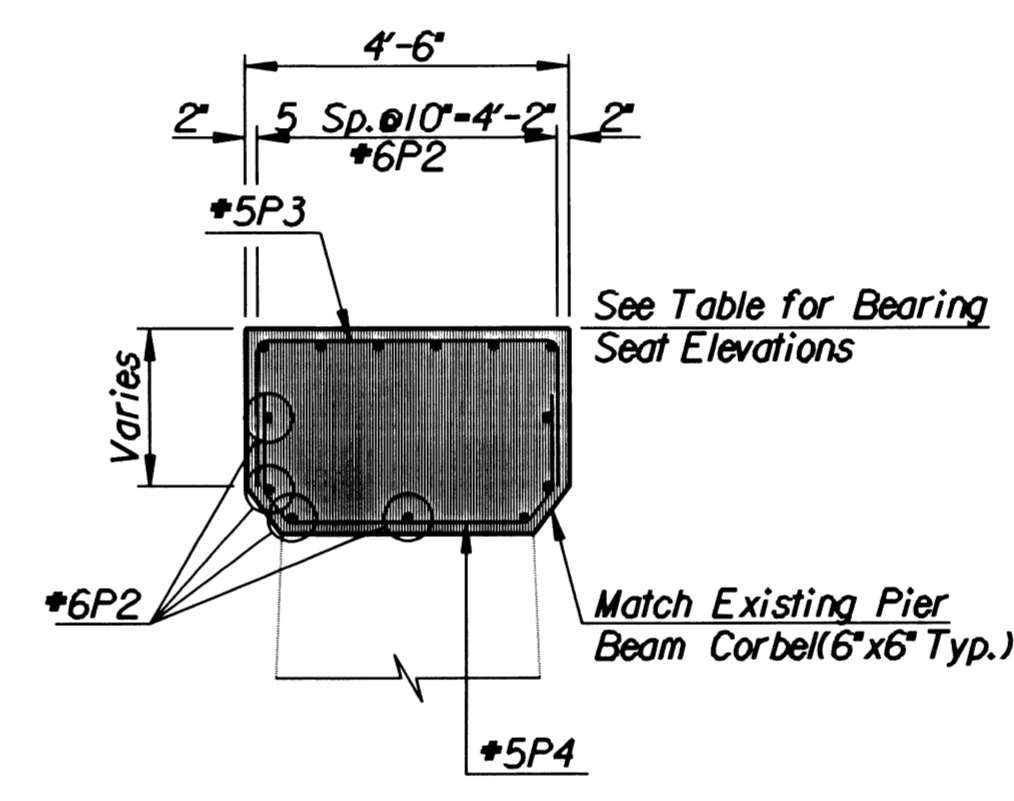
See Sheet No. 22 for Superstructure Beam Repair Procedures (Field Verify Existing Reinforcing) Typical at Beams A, B, G and H.



SECTION A-A
 (Space #5P3&P4 with P1 bars)

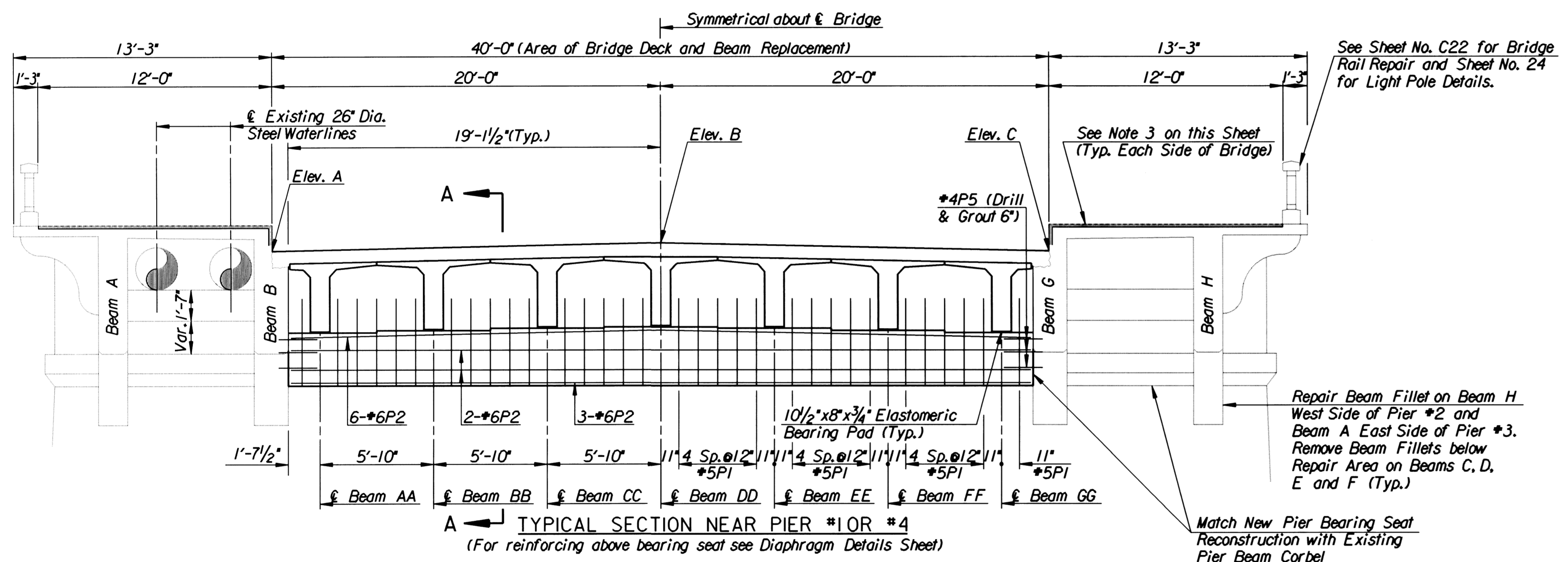
- Note:**
- All existing exposed reinforcing steel to be extended into the beams shall be cleaned.
 - See Sheet No. 22 for Concrete Repair Procedures.
 - Remove 1/2" of Sidewalk Surface and replace with 1/2" Fibermesh Concrete. Integral color to Match Existing Bridge Rail.

LEGEND:
 ~~~~~ Cracks to be Pressure Grouted See Sheet No. 22.



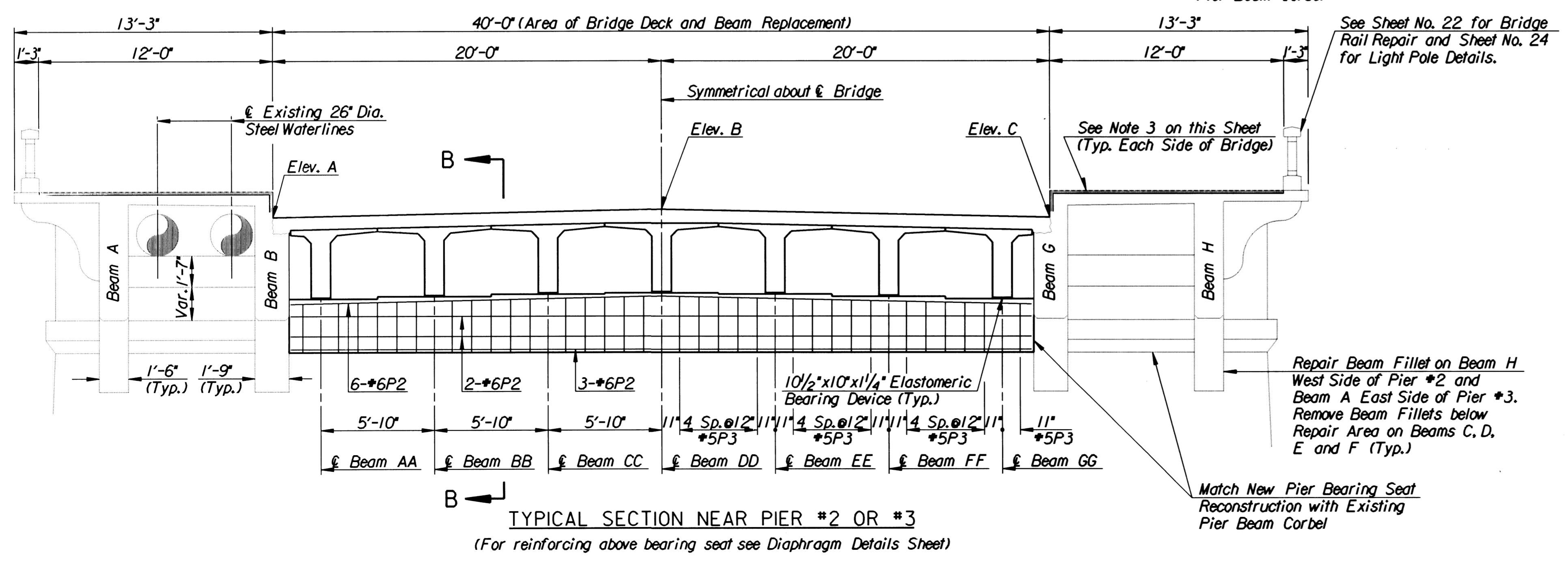
SECTION B-B  
 (Space #5P4 with P3 bars)

| TABLE OF ELEVATIONS |                   |                   |                   |                   |
|---------------------|-------------------|-------------------|-------------------|-------------------|
| Location            | Pier #1 Elevation | Pier #2 Elevation | Pier #3 Elevation | Pier #4 Elevation |
| Elev. A             | 1308.12           | 1309.04           | 1309.04           | 1308.12           |
| Elev. B             | 1308.43           | 1309.35           | 1309.35           | 1308.43           |
| Elev. C             | 1308.12           | 1309.04           | 1309.04           | 1308.12           |
| Beam AA Brg. Seat   | 1303.88           | 1304.77           | 1304.77           | 1303.88           |
| Beam BB Brg. Seat   | 1303.98           | 1304.86           | 1304.86           | 1303.98           |
| Beam CC Brg. Seat   | 1304.03           | 1304.95           | 1304.95           | 1304.03           |
| Beam DD Brg. Seat   | 1304.11           | 1304.99           | 1304.99           | 1304.11           |
| Beam EE Brg. Seat   | 1304.03           | 1304.95           | 1304.95           | 1304.03           |
| Beam FF Brg. Seat   | 1303.98           | 1304.86           | 1304.86           | 1303.98           |
| Beam GG Brg. Seat   | 1303.88           | 1304.77           | 1304.77           | 1303.88           |
| Conc. Removal Line  | 1301.25           | 1302.22           | 1302.22           | 1301.25           |



Repair Beam Fillet on Beam H West Side of Pier #2 and Beam A East Side of Pier #3. Remove Beam Fillets below Repair Area on Beams C, D, E and F (Typ.)

Match New Pier Bearing Seat Reconstruction with Existing Pier Beam Corbel



Repair Beam Fillet on Beam H West Side of Pier #2 and Beam A East Side of Pier #3. Remove Beam Fillets below Repair Area on Beams C, D, E and F (Typ.)

Match New Pier Bearing Seat Reconstruction with Existing Pier Beam Corbel

| No. | Revisions | By | Date |
|-----|-----------|----|------|
|     |           |    |      |

CITY OF WICHITA, KANSAS  
 MICHAEL E. LINDEBAK, P.E.-CITY ENGINEER  
 MURDOCK BRIDGE  
 OVER LITTLE ARKANSAS RIVER  
 SUPERSTRUCTURE DETAILS  
 CITY OF WICHITA PROJECT NO. 472-82785  
**PROFESSIONAL ENGINEERING CONSULTANTS, P.A.**  
 ENGINEERS  
 WICHITA, KANSAS

|             |        |            |           |
|-------------|--------|------------|-----------|
| Designed by | R.W.A. | Checked by | R.A.S.    |
| Drawn by    | W.L.L. | Date       | Oct, 1998 |
|             |        | Job No.    | 96940     |