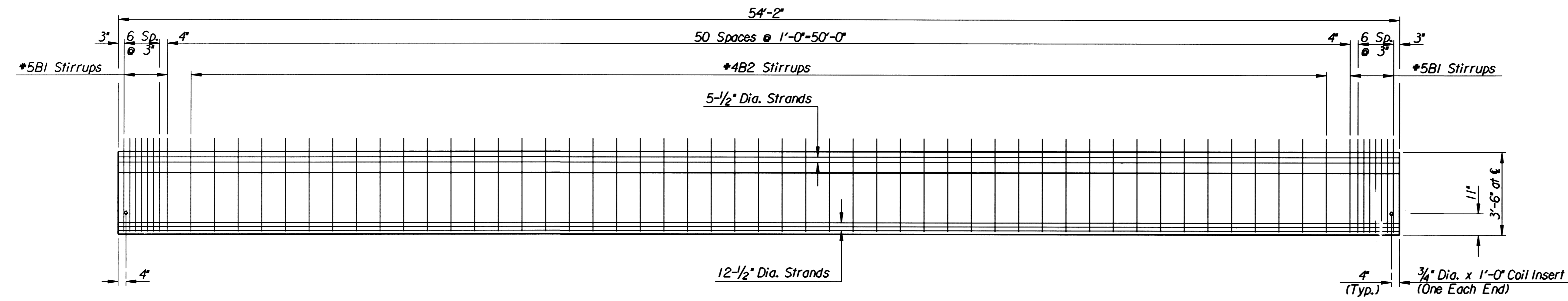


PLAN

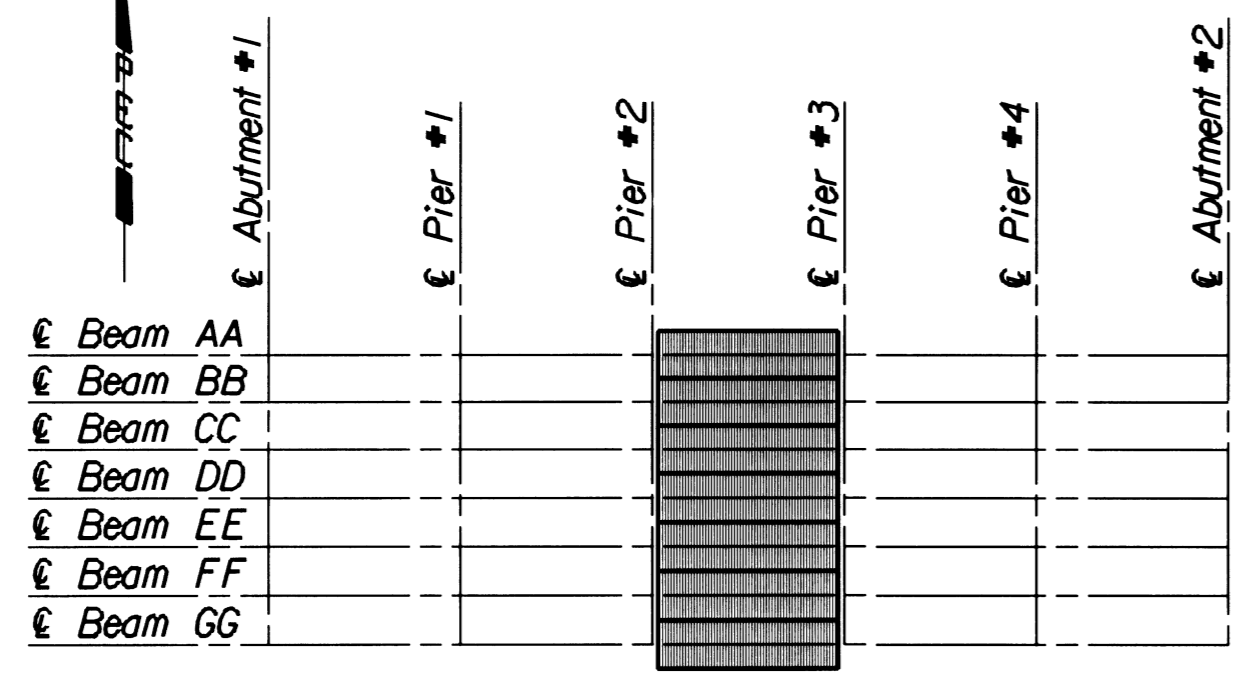


ELEVATION OF SINGLE 'T' PRESTRESSED CONCRETE BEAM

54'-2" Beam - 19.0 Tons per Beam (BB thru FF)  
17.9 Tons per Beam (AA or GG)

Mark	No.	Size	Length
B1	16	#5	9'-4"
B2	49	#4	9'-4"
B4	X	#4	3'-6"
Strands	17	1/2" Dia.	
6x6" Fabric	5'-10" Beam	-	305 Sq. Ft.
	4'-6" Beam	-	233 Sq. Ft.

X 7 for Beams AA and GG  
14 for Beams BB, CC, DD, EE and FF.

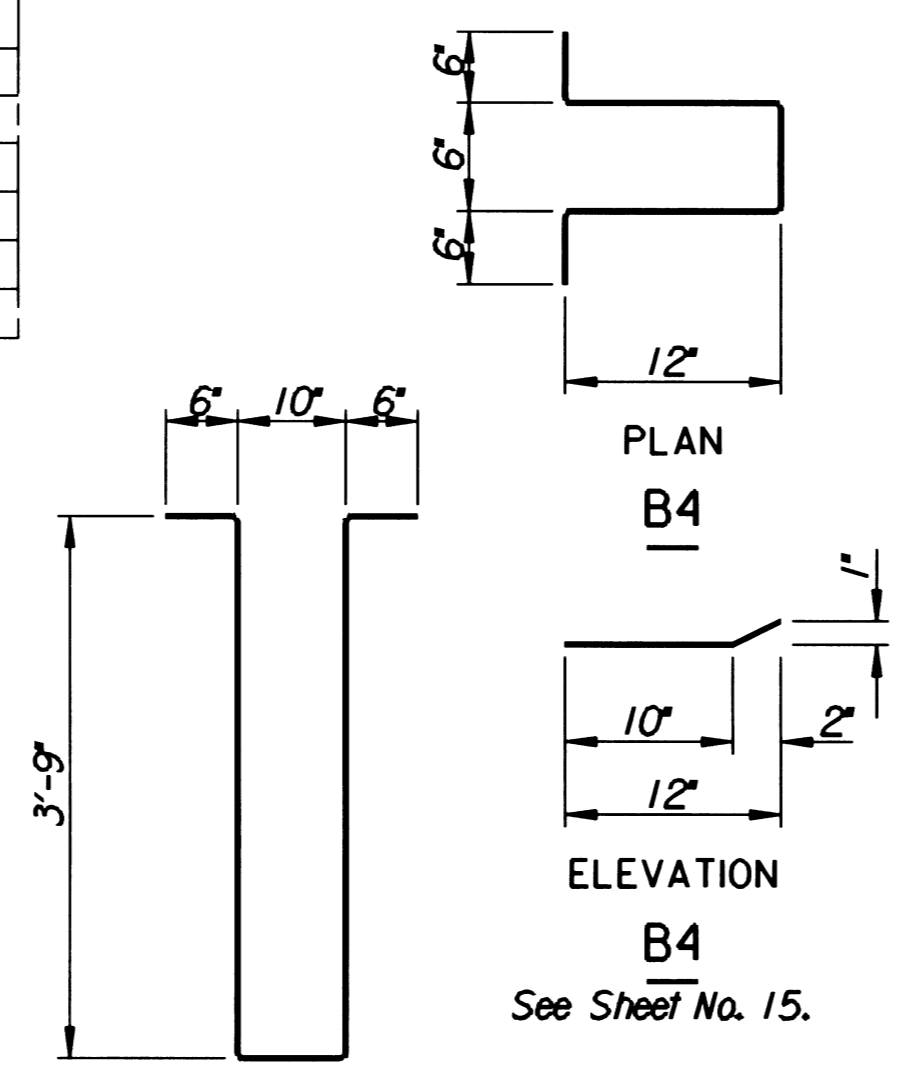


BEAM LOCATION PLAN

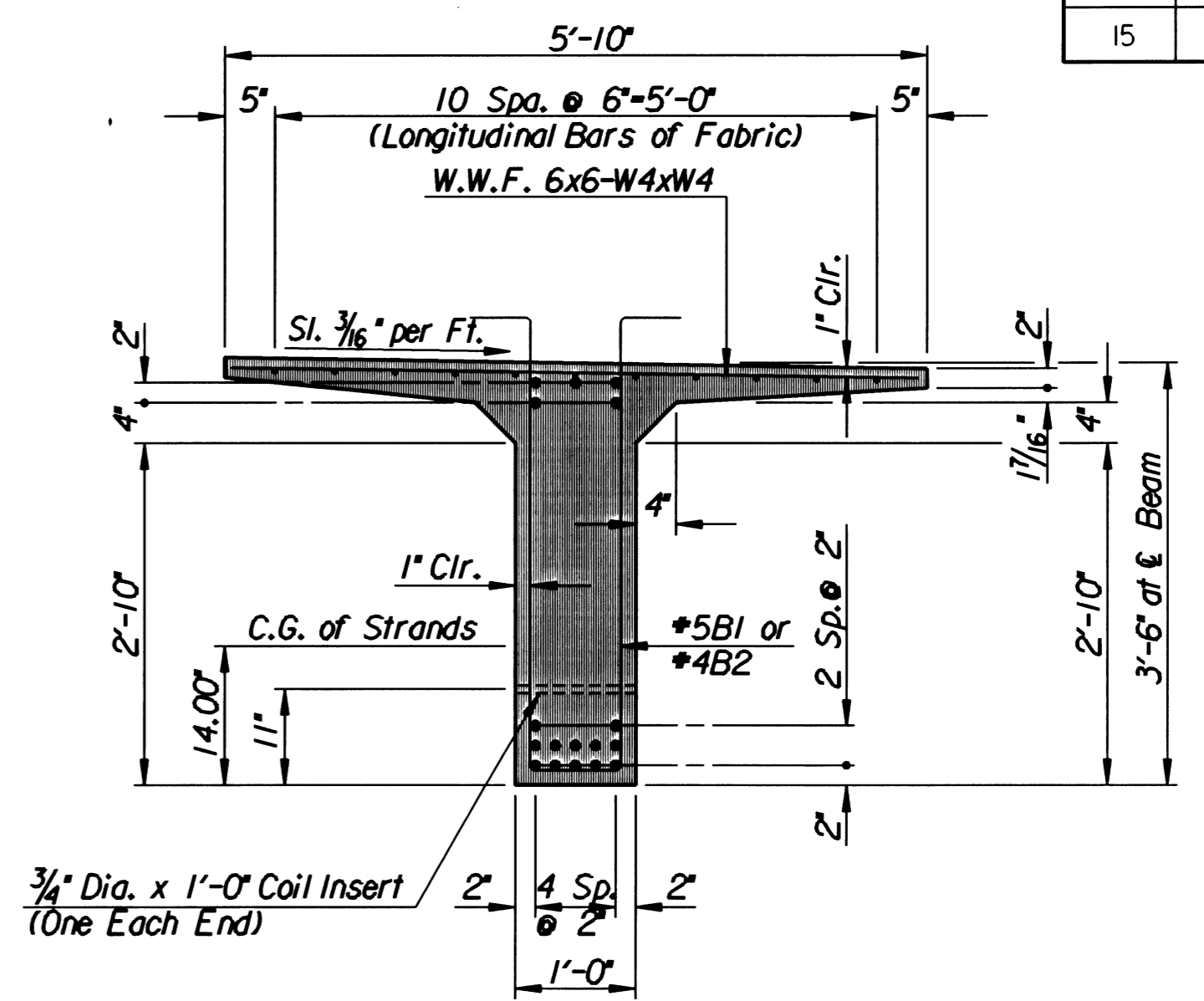
\*\* See Bending Diagrams

Item	Unit	5-(5-10" Beams)	2-(4'-6" Beams)
Concrete in Beams (f'c=5000 p.s.i.)	Cu. Yds.	48.6	18.3
Prestressing Steel A416 1/2" Dia. (Low Relaxation)	Lin. Ft.	4,605	1,842
Reinforcing Steel (Grade 60)	Lbs.	2,470	955
3/4" Open Coil Insert 6.0M	Each	10	4
Welded Wire Fabric	Sq. Ft.	1,525	466
3/4" Threaded Coil Rod x 9'	Each	20	8

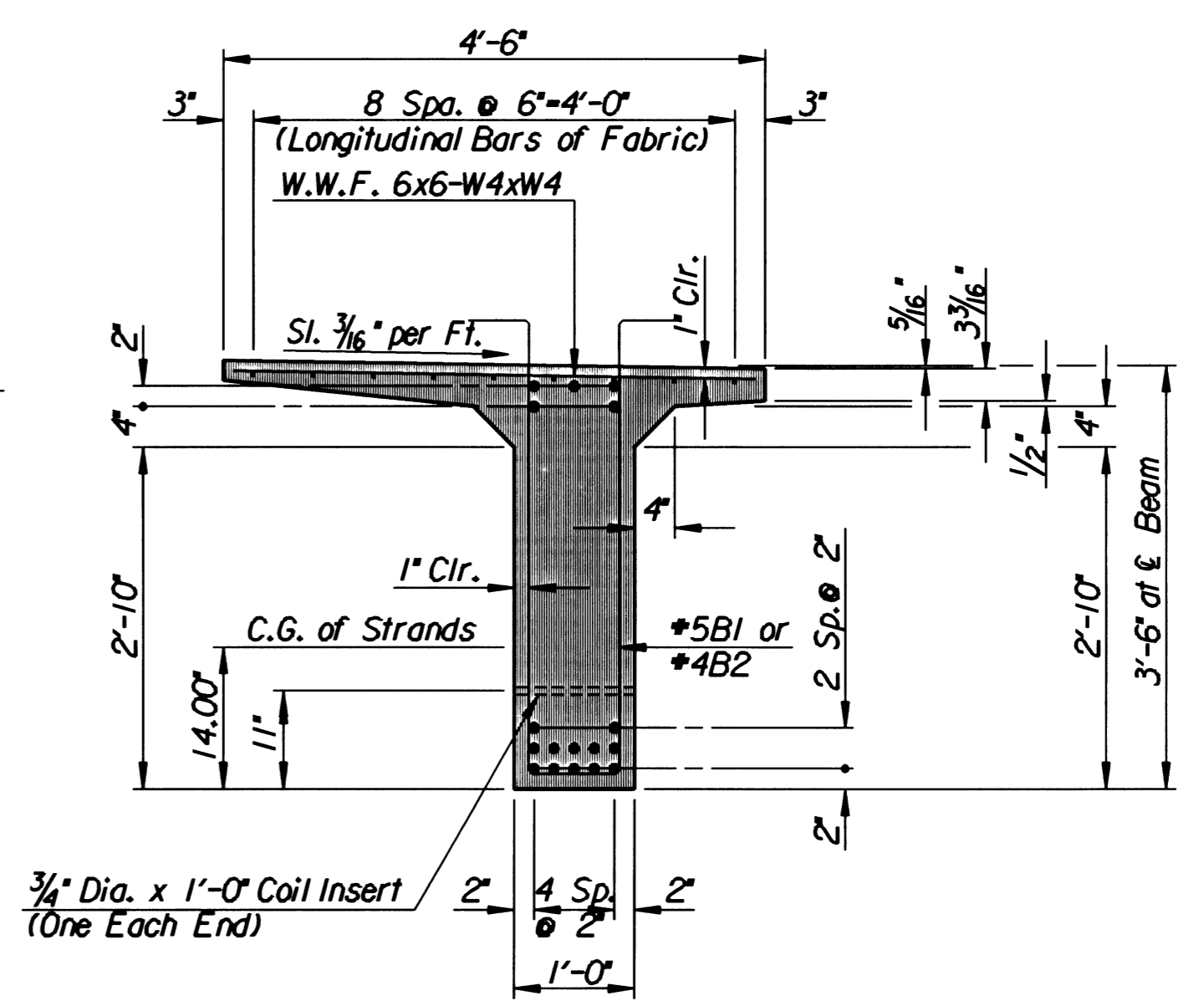
Subsidiary to Prestressed Concrete Beams  
6.0M Designates 6000 Lbs. Safe Load in Tension.



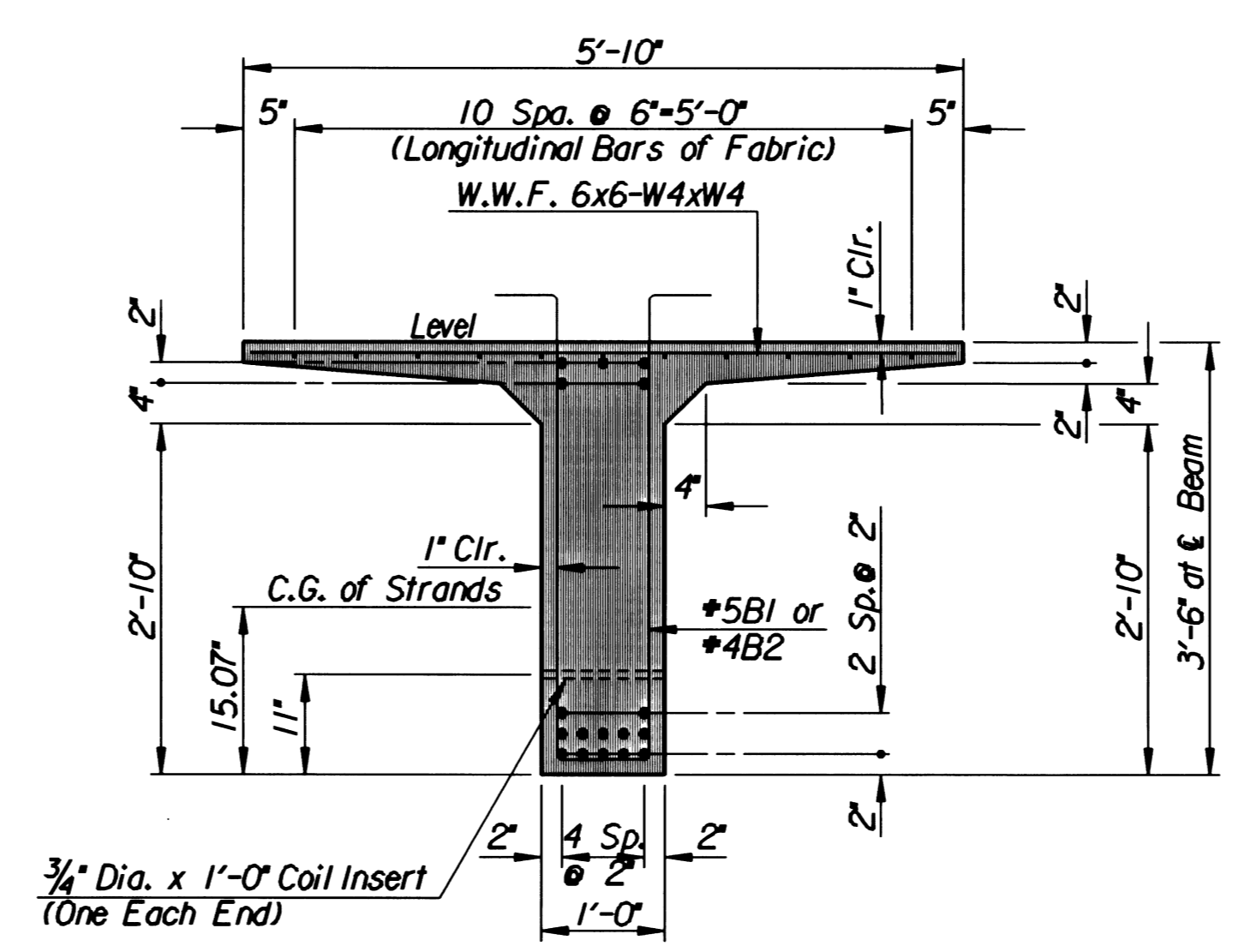
BI AND B2  
BENDING DIAGRAMS  
Dimensions are out to out of bars



TYPICAL SECTION  
(Beams BB, CC, EE and FF)  
54'-2" Beam



TYPICAL SECTION  
(Beams AA and GG)  
54'-2" Beam



TYPICAL SECTION  
(Beam DD)  
54'-2" Beam

No.	Revisions	By	Date

CITY OF WICHITA, KANSAS  
MICHAEL E. LINDEBAK, P.E.-CITY ENGINEER  
MURDOCK BRIDGE  
OVER LITTLE ARKANSAS RIVER  
54'-2" SINGLE T BEAM DETAILS  
CITY OF WICHITA PROJECT NO. 472-82785  
PROFESSIONAL ENGINEERING CONSULTANTS, P.A.  
ENGINEERS  
WICHITA, KANSAS

Designed by	R.W.A.	Checked by	R.A.S.
Drawn by	W.L.L.	Date	Oct. 1998
		Job No.	96940