

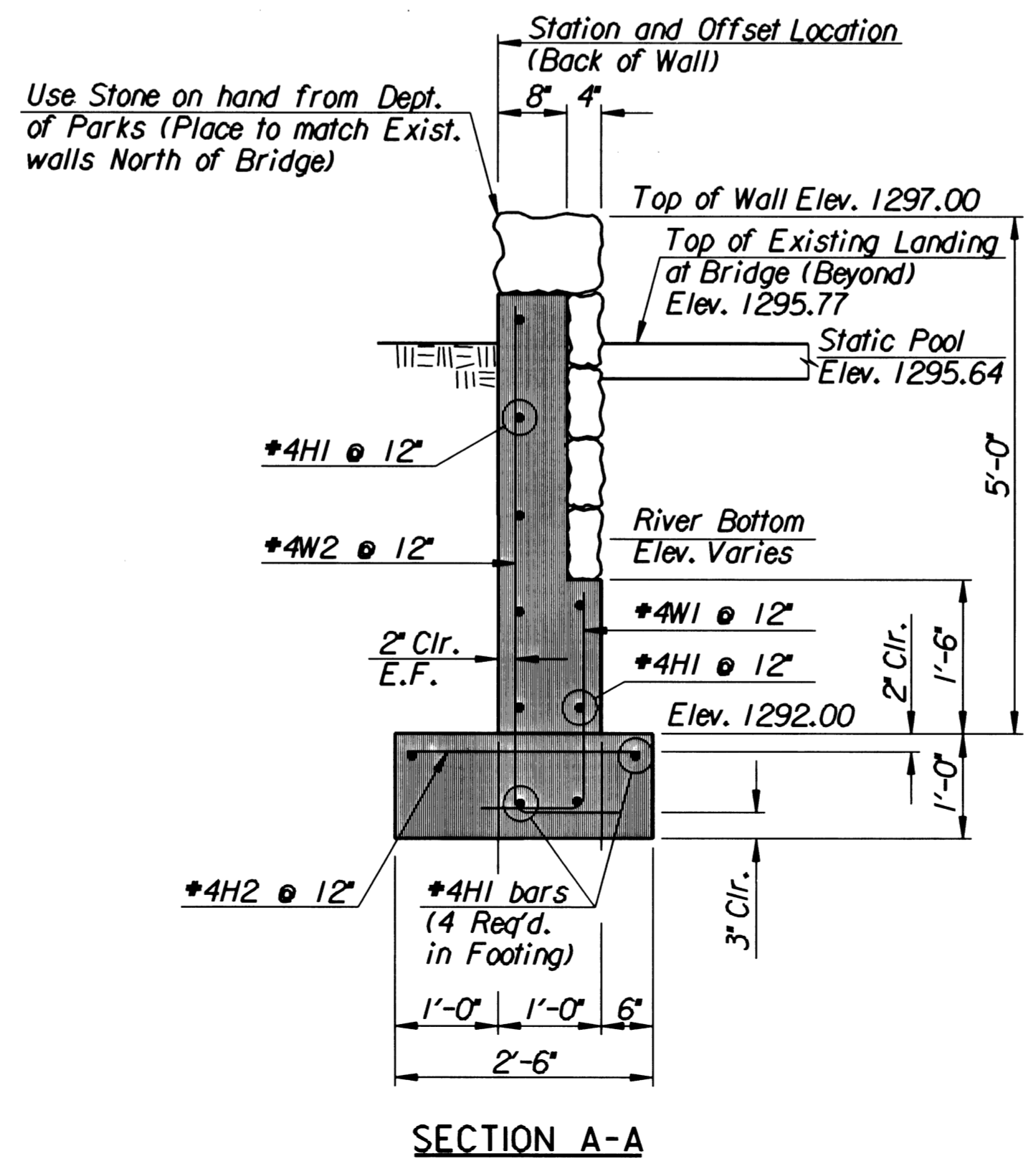
PLAN

Construct New Retaining Wall  
Use Stone on hand from Dept. of Parks and Recreation to Match other Stone on Existing Wall

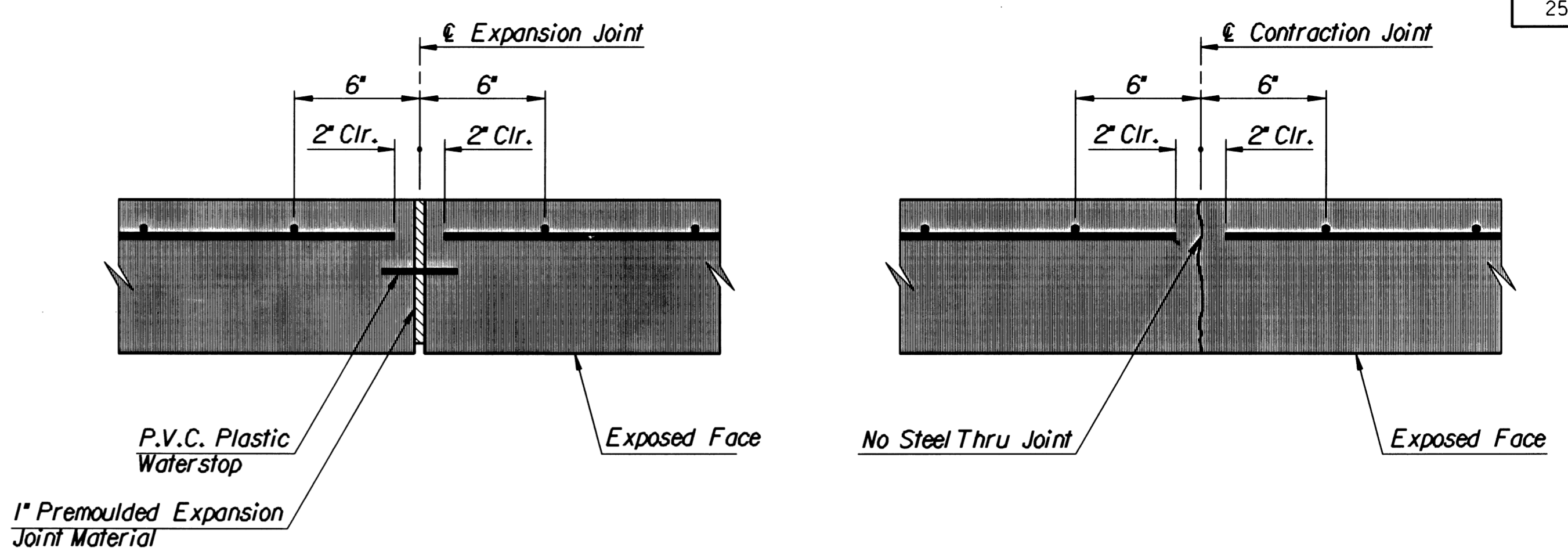
REINFORCING STEEL						
Straight Bars				* Bent Bars		
Mark	No.	Size	Length	Mark	No.	Size
H1	44	*4	24'-8"	W1	101	*4
H2	101	*4	2'-2"	W2	101	*4

WALL QUANTITIES		
Item	Quantity	Unit
Reinforcing Steel	1475	Lbs.
Concrete	218	CY.

\* See Bending Diagram

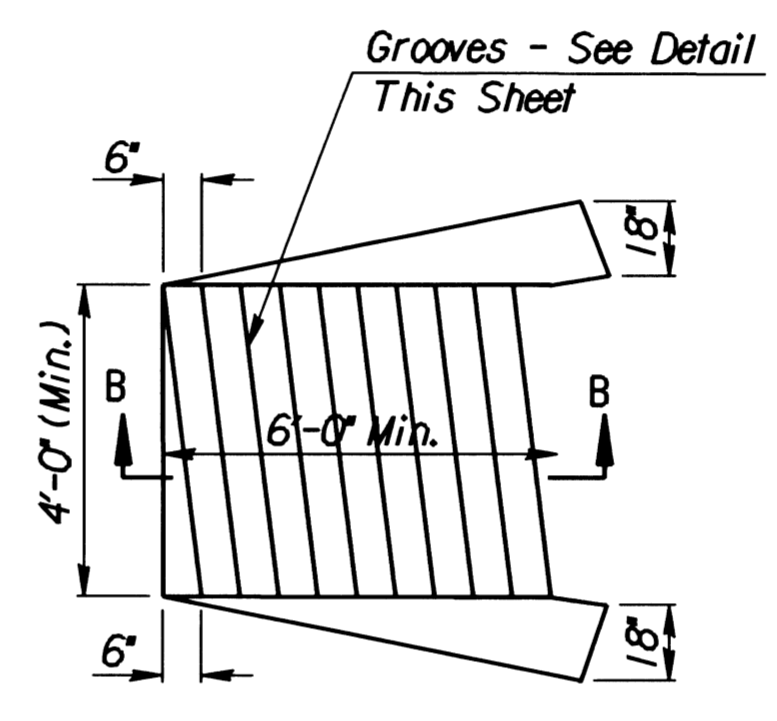


SECTION A-A

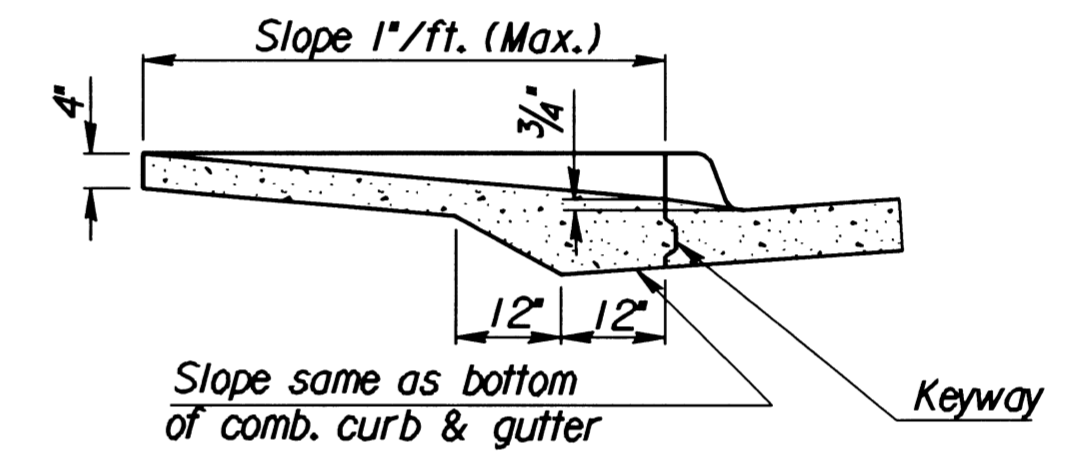


EXPANSION JOINT DETAIL (E.J.)

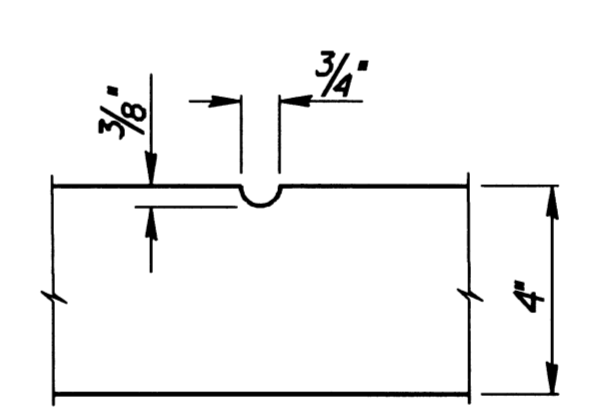
CONTRACTION JOINT DETAIL (C.J.)



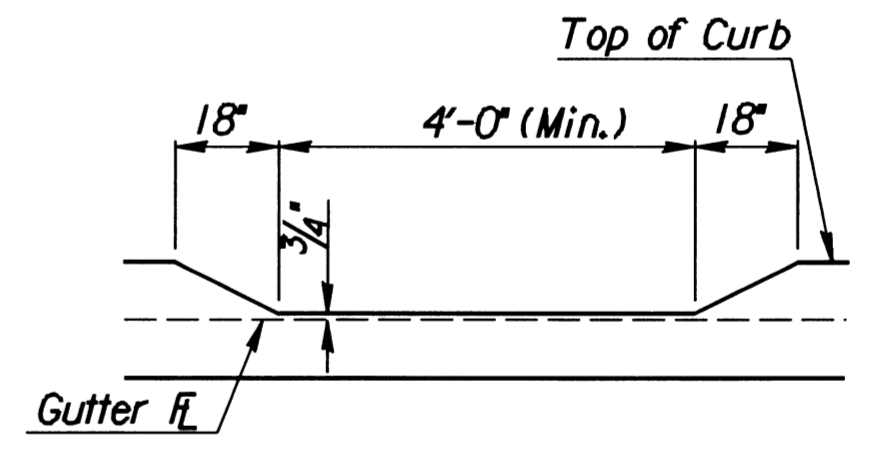
WHEELCHAIR RAMP DETAIL



SECTION B-B

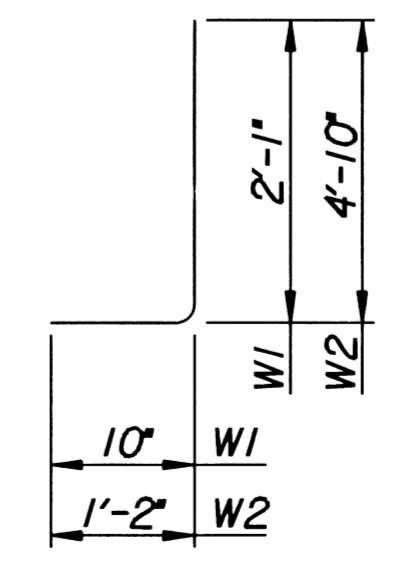


GROOVE DETAIL



DEPRESSED CURB DETAIL

TYPICAL WHEELCHAIR RAMP DETAILS



BENDING DIAGRAM

No.	Revisions	By	Date
CITY OF WICHITA, KANSAS MICHAEL E. LINDEBAK, P.E. - CITY ENGINEER MURDOCK BRIDGE OVER LITTLE ARKANSAS RIVER MISCELLANEOUS DETAILS CITY OF WICHITA PROJECT NO. 472-82785 PROFESSIONAL ENGINEERING CONSULTANTS, P.A. ENGINEERS WICHITA, KANSAS			
Designed by	R.W.A.	Checked by	R.A.S.
Drawn by	R.A.S./W.L.L.	Date	Oct. 1998
		Job No.	96940

1:1996/96940/wallpark.dgn  
 drawn by : ras/wll  
 plotted by : ras 12-29-98