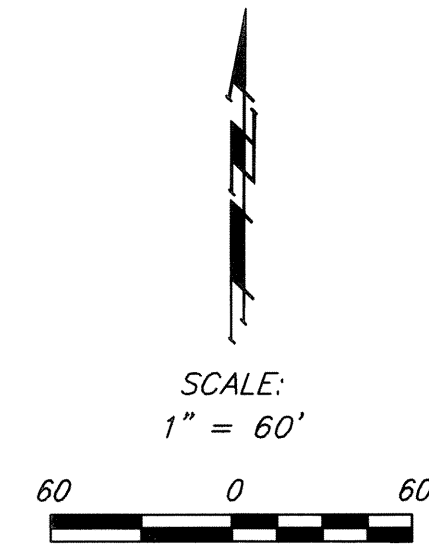


AS BUILT PLANS

Contractor: Kansas Paving
 Inspector: Lyle Powers, Baughman Co
 pdf's by: KEK, 12/28/10



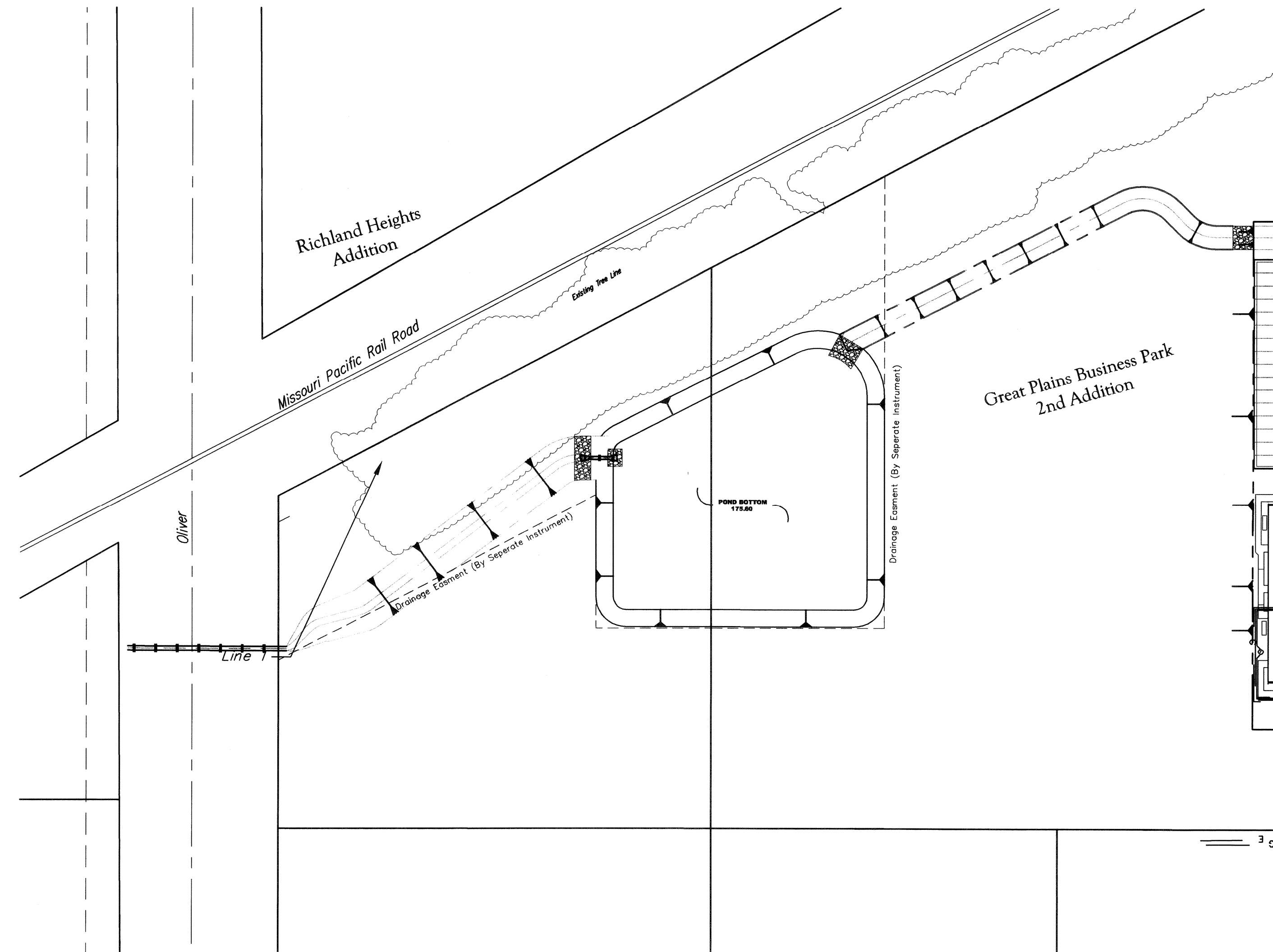
STORM WATER SEWER TO SERVE **Great Plains Business Park 2nd Addition**

Private Project Number: 1987 PPS (607861)

CITY OF WICHITA, KANSAS

James Armour, P.E. City Engineer

July 2009



Bench Mark:

"□" Chiseled on Top of Curb
 Approximately 15' South of Block 1
 Lot 5 Southeast Property Corner.
 Elev. = 185.98 City Datum

Index

Title Sheet	1
Line 1	2
Erosion Control Plan	3
Copy of Plat	4
BMP Details Available Upon Request	

Legal Description:

Part of Lot 5 of Block 1, Great Plains Business Park 2nd Addition, Wichita, Sedgwick County, Kansas described as follows: Beginning at the most southerly corner common to said Lot 5 in said Block 1; thence N00°03'22"E along the lot line common to said Lots 5 & 6, 352.00 feet; thence N89°56'38"W perpendicular to said common lot line, 275.00 feet; thence S00°03'22"W parallel with said common lot line, 352.00 feet; thence S89°56'38"E perpendicular to said common lot line, 275.00 feet to the point of beginning.

General Notes

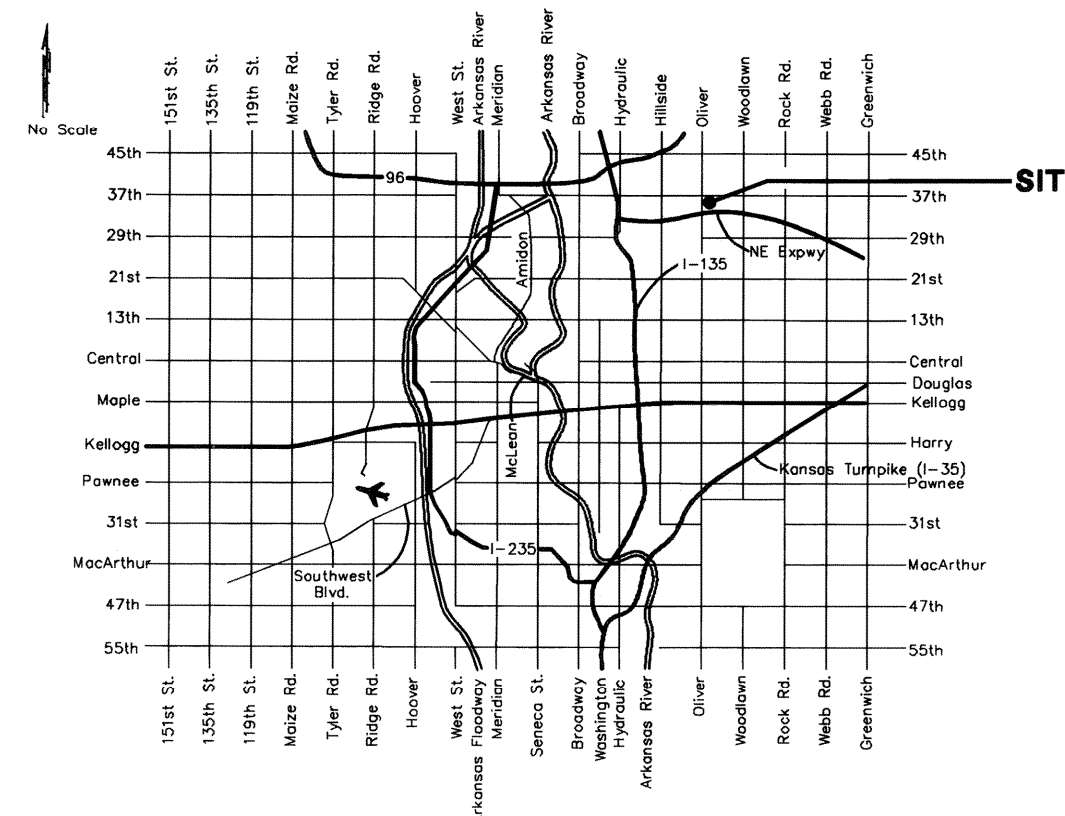
- Contractor will be required to provide notice to utility companies a minimum of forty-eight (48) hours prior to any excavation, as follows:

Kansas One-Call	687-2470
-----------------	----------

The Contractor must notify the following in case of an emergency:

Cox Communications	262-4270
Kansas Gas Service Company	1-888-482-4950
Westar Energy (Electric)	383-8650
Aquila Energy (Gas)	1-800-303-0357
Southwestern Bell Telephone Co.	1-800-286-8313
City of Wichita Water Dept. (Water)	262-6000
City of Wichita Sewer Maint. (SS)	262-6000
City of Wichita Storm Sewer Maint.	268-4090
City of Wichita Traffic Maint.	268-4034
- All disturbed R/W areas not intended for pavement or sidewalk construction shall be seeded with Kansas Premium Fescue Blend at a rate of 8 lb./1000 Sq. Ft., fertilized with a 16-20-6 ratio at a rate of 4 lb./1000 Sq. Ft., and mulched with Prairie Hay at a rate of 92 lb./1000 Sq. Ft. Mulch shall be "patted" with forks or punched into soil to reduce loss due to wind.
- Utility service lines, poles, valve boxes, meters, et cetera are to be adjusted as necessary by others prior to construction unless the plans specifically call for their adjustment by the Contractor or unless the plans specifically identify a utility to be adjusted by its owner during construction. Existing utilities and their location, as shown on the plans represent the best information obtainable for design and shall be field verified. The contractor will be required to work around existing utilities within the right-of-way which do not conflict with proposed construction.
- All storm sewers and appurtenances shall be installed in accordance with the most recent edition of City of Wichita, Kansas Standard Specifications for the Construction of City Projects.
- Contractor shall not start work on the project until the project inspector is assigned to the project and is present on the site. Contractor shall not start on the project until all necessary bonds and permits have been obtained. Bonds may include but are not limited to Statutory, Performance & Maintenance for areas in public right-of-way and easement. For projects within the City of Wichita contact Tom Mason (268-4574). Any work done without inspection will be required to be uncovered for inspection.
- Rubble from the removal of miscellaneous structures and excess excavation which is to be wasted shall be disposed of on sites to be provided by the Contractor. These sites shall be approved by the Engineer as to suitability, appearance and site location. Locations that, in the opinion of the Engineer, will leave an unsightly appearance will not be approved. All disposal sites must be approved by the Kansas Department of Health and Environment. Material either stockpiled or disposed of in a flood plain would require a Kansas State Board of Agriculture permit. Any material dumped in waters of the United States or wetlands is subject to U.S. Corps. of Engineers permitting regulations. Any material buried or stockpiled beyond approved construction limits would require additional archaeological investigations unless buried in a previously approved borrow location.

Vicinity Map



APPROVED AS NOTED
 BY CITY ENGINEER OF WICHITA

Storm Sewers City never signed off on this project

NOTE TO CONTRACTORS

Installation, inspection and testing for this project is to be provided by a Licensed Consulting Engineering Firm under contract with the Owner/Developer. Said inspection to be in accordance with the City of Wichita standard construction engineering practices and certified by a Licensed Professional Engineer. No work shall be performed in dedicated easements or public right-of-way by the Contractor without such inspection nor shall any work be commenced without written authorization by the City Engineer. All Construction and Materials shall comply with the City of Wichita Specifications and Standards (on file and available in the City Engineer's Office).



Baughman Company, P.A. 315 Ellis St. Wichita, KS 67211 P 316-262-7271 F 316-262-0145
 ENGINEERING | SURVEYING | PLANNING | LANDSCAPE ARCHITECTURE