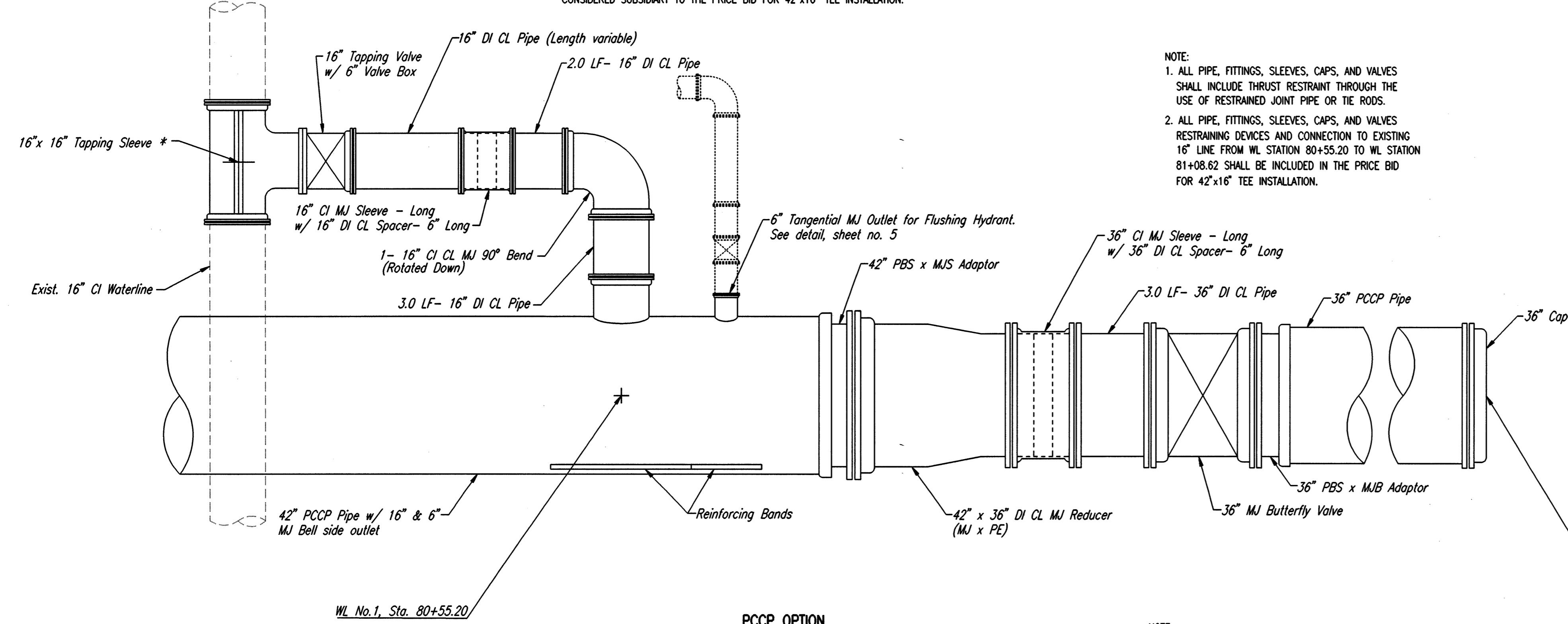


42" x 16" TEE INSTALLATION DETAIL
See Sheet No. 15

* PRIOR TO BEGINNING CONSTRUCTION, THE CONTRACTOR SHALL EXCAVATE THE EXISTING 16" WATERLINE AT THE PROPOSED 16"x16" TAPPING SLEEVE LOCATION TO VERIFY PIPE SIZE, FITTINGS, AND HORIZONTAL AND VERTICAL LOCATION. THE CONTRACTOR SHALL REPORT HIS FINDINGS TO THE ENGINEER SO THAT ANY NECESSARY PLAN MODIFICATIONS MAY BE MADE. ANY ADDITIONAL LABOR OR MATERIALS NECESSARY TO COMPLETE THE CONNECTION SHALL BE CONSIDERED SUBSIDIARY TO THE PRICE BID FOR 42"x16" TEE INSTALLATION.

TIE-IN EXISTING 16" PIPE AT STA. 80+55.20 NOTES:

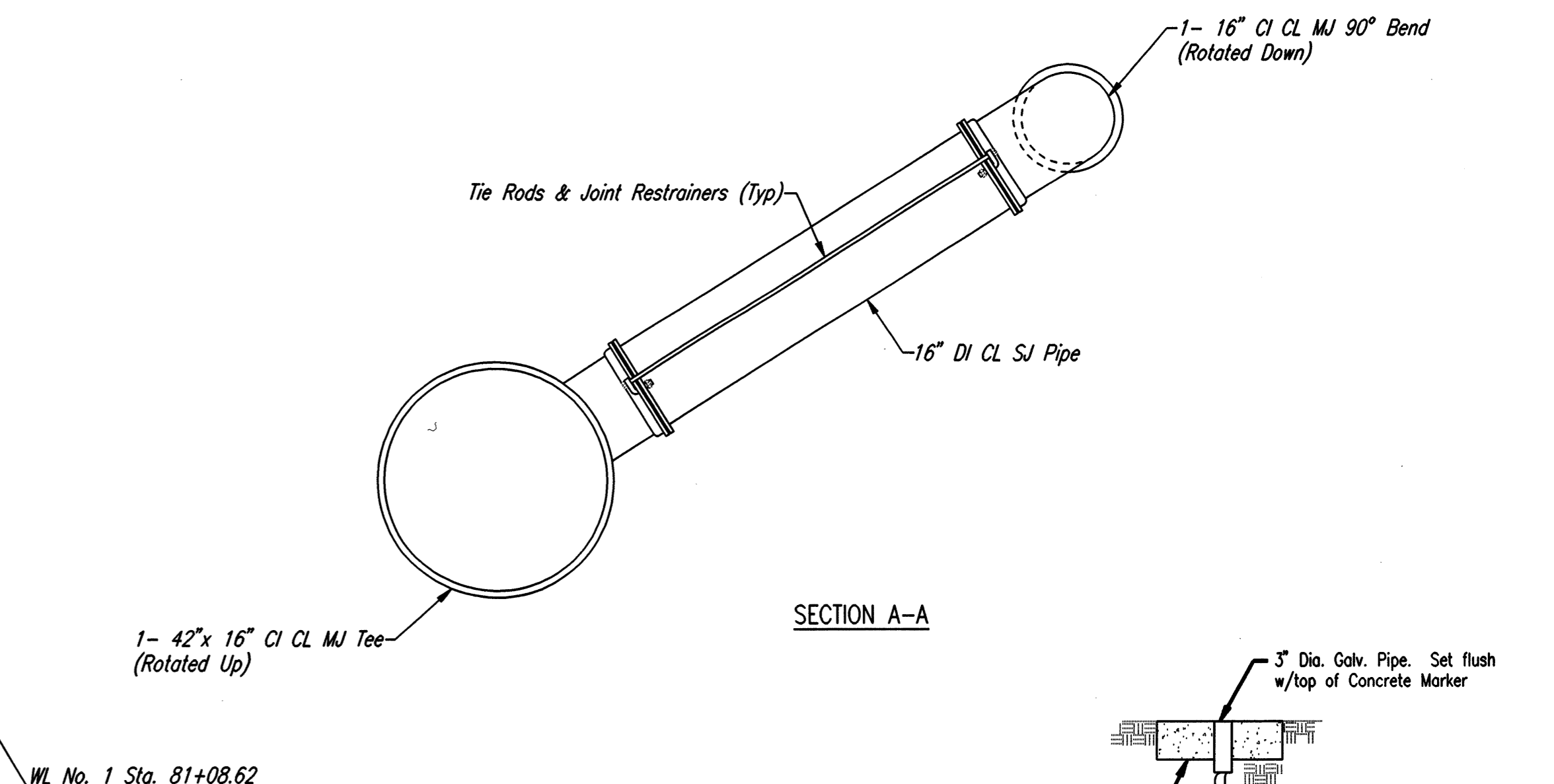
1. CONTRACTOR SHALL NOTIFY CITY WATER DEPARTMENT A MINIMUM OF 5 DAYS BEFORE ANY CONSTRUCTION BEGINS.
2. CONTRACTOR SHALL EXCAVATE THE EXISTING 16" WATERLINE TO VERIFY JOINT LAYOUT, DEPTH, AND CONNECTION DETAIL.
3. CONTRACTOR SHALL NOTIFY ENGINEER IMMEDIATELY IF SIZE OR SPECIFIED MATERIAL TYPE DIFFERS FROM THE DETAILED DRAWING.
4. THE CONTRACTOR SHALL UTILIZE RESTRAINED JOINT PIPE, TIE RODS, OR OTHER APPROVED METHODS TO RESTRAIN ALL VALVES, FITTINGS, AND PIPING.
5. ALL COUPLINGS AND DUCTILE IRON FITTINGS AND APPURTENANCES SHALL BE POLY WRAPPED PER THE SPECIFICATIONS.



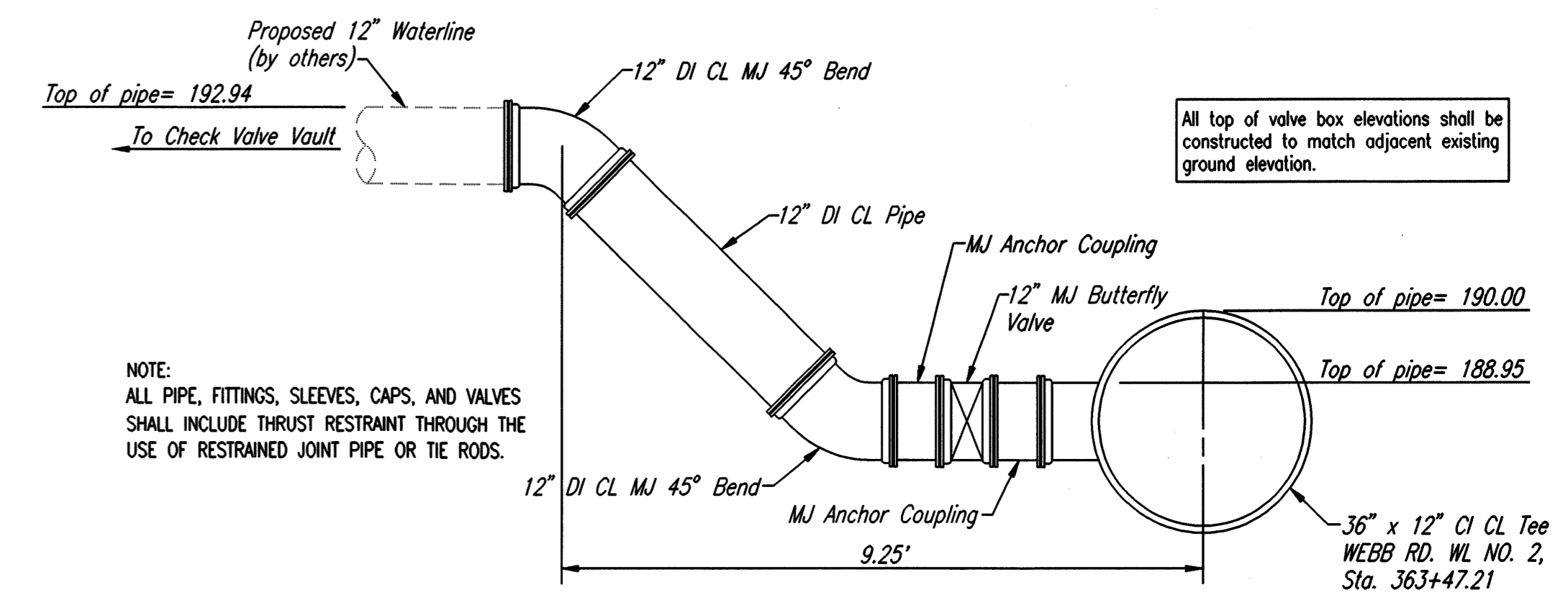
42" x 16" TEE INSTALLATION DETAIL
See Sheet No. 15

* PRIOR TO BEGINNING CONSTRUCTION, THE CONTRACTOR SHALL EXCAVATE THE EXISTING 16" WATERLINE AT THE PROPOSED 16"x16" TAPPING SLEEVE LOCATION TO VERIFY PIPE SIZE, FITTINGS, AND HORIZONTAL AND VERTICAL LOCATION. THE CONTRACTOR SHALL REPORT HIS FINDINGS TO THE ENGINEER SO THAT ANY NECESSARY PLAN MODIFICATIONS MAY BE MADE. ANY ADDITIONAL LABOR OR MATERIALS NECESSARY TO COMPLETE THE CONNECTION SHALL BE CONSIDERED SUBSIDIARY TO THE PRICE BID FOR 42" x 16" TEE INSTALLATION.

- NOTE:
1. ALL PIPE, FITTINGS, SLEEVES, CAPS, AND VALVES SHALL INCLUDE THRUST RESTRAINT THROUGH THE USE OF RESTRAINED JOINT PIPE OR TIE RODS.
 2. ALL PIPE, FITTINGS, SLEEVES, CAPS, AND VALVES RESTRAINING DEVICES AND CONNECTION TO EXISTING 16" LINE FROM WL STATION 80+55.20 TO WL STATION 81+08.62 SHALL BE INCLUDED IN THE PRICE BID FOR 42"x16" TEE INSTALLATION.



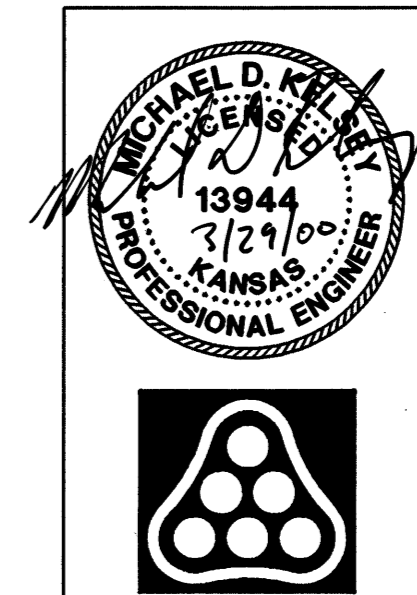
END OF PIPE STAKING DETAIL
(STAKING SHALL BE SUBSIDIARY TO THE LUMP-SUM PRICE BID FOR SITE RESTORATION)



36" x 12" TEE INSTALLATION DETAIL
See Sheet No. 16

* PRIOR TO BEGINNING CONSTRUCTION, THE CONTRACTOR SHALL EXCAVATE THE EXISTING 12" WATERLINE AT THE PROPOSED 12" 45° BEND LOCATION TO VERIFY PIPE SIZE, FITTINGS, AND HORIZONTAL AND VERTICAL LOCATION. THE CONTRACTOR SHALL REPORT HIS FINDINGS TO THE ENGINEER SO THAT ANY NECESSARY PLAN MODIFICATIONS MAY BE MADE. ANY ADDITIONAL LABOR OR MATERIALS NECESSARY TO COMPLETE THE CONNECTION SHALL BE CONSIDERED SUBSIDIARY TO THE PRICE BID FOR 36"x12" TEE INSTALLATION.

DSNR: MDK OPER: JLM SCALE: 1=1.00
 Q: 1996 06151\0003\Phase2A\2A-WDL3 03-29-2000 01:45:39 pm



No.	Revision	By	Date
CITY OF WICHITA, KANSAS MICHAEL E. LINDEBAK, P.E. - CITY ENGINEER NORTHEAST TRANSMISSION FACILITY - PHASE 2A WATERLINE DETAILS C.O.W. Proj. No. 448-76-245-89465-000-000-001 Professional Engineering Consultants, P.A. 303 S. TOPEKA • WICHITA, KANSAS 67202 316-262-2691 • FAX 316-262-3003			
Designed by	MDK, KJW	Job No.	34-96151-3
Drawn by	JLM	Date	September 1999